

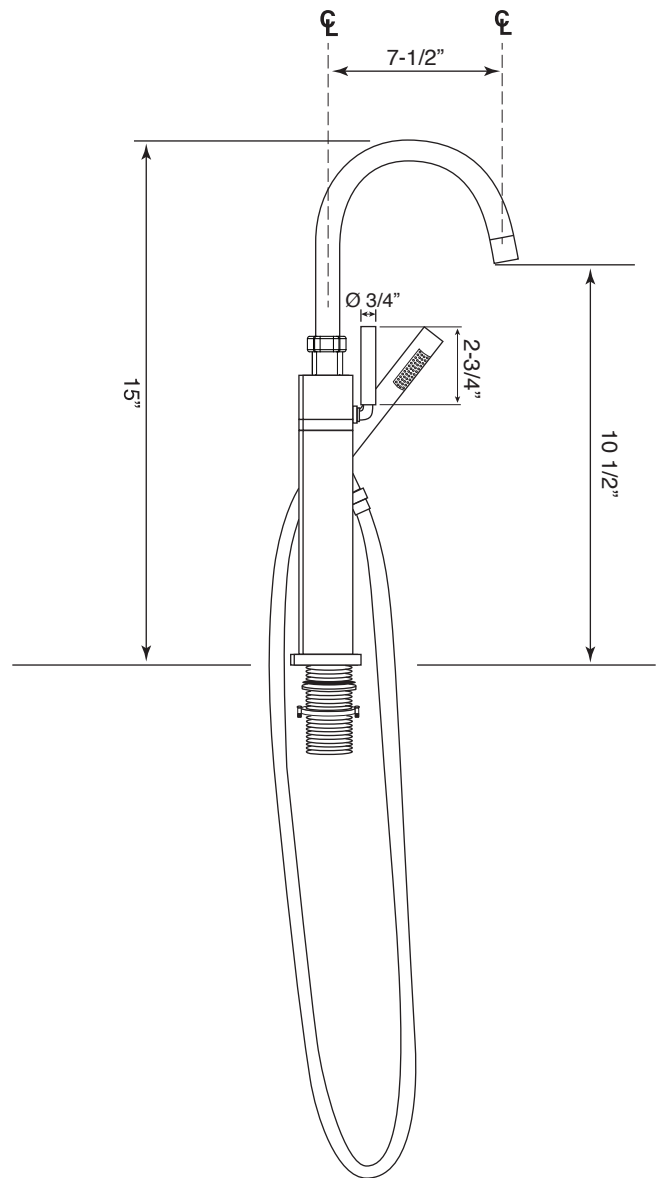
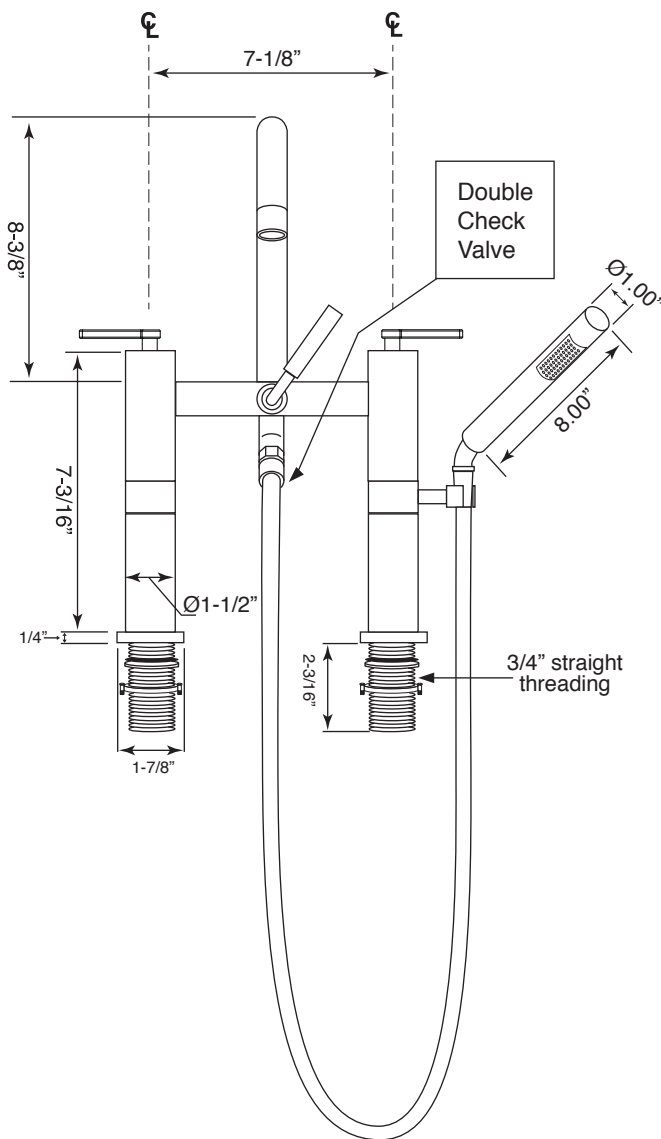
FEATURES:

- All brass construction.
- Available in all Sigma finishes
- Replacement cartridges
18.30.010 - COLD / 18.30.011 - HOT
- Flow rate 7.5 gpm / 45 psi
- Certified to meet or exceed the following codes and standards:
ASME A112.18.1/CSAB 125.1-2012

SPECIFICATIONS

Contemporary Deckmount Tub Filler with Handshower

1.0007510
Stella Handle



Note: Measurements are subject to change or cancellation. No responsibility is assumed for use of superseded or voided pages.