



WAVE Wall Mounted Bathtub Spout

ROHL Modern Bath

WA24

FEATURES

- Made of solid brass
- 1/2" NPT inlet
- 8 3/4" to 9 11/32" spout reach
- Polished Nickel not available
- Spout connection requires special rough fitting to be installed before the finished wall is completed. Spout connection and rough for wall valves are an integrated assembly.

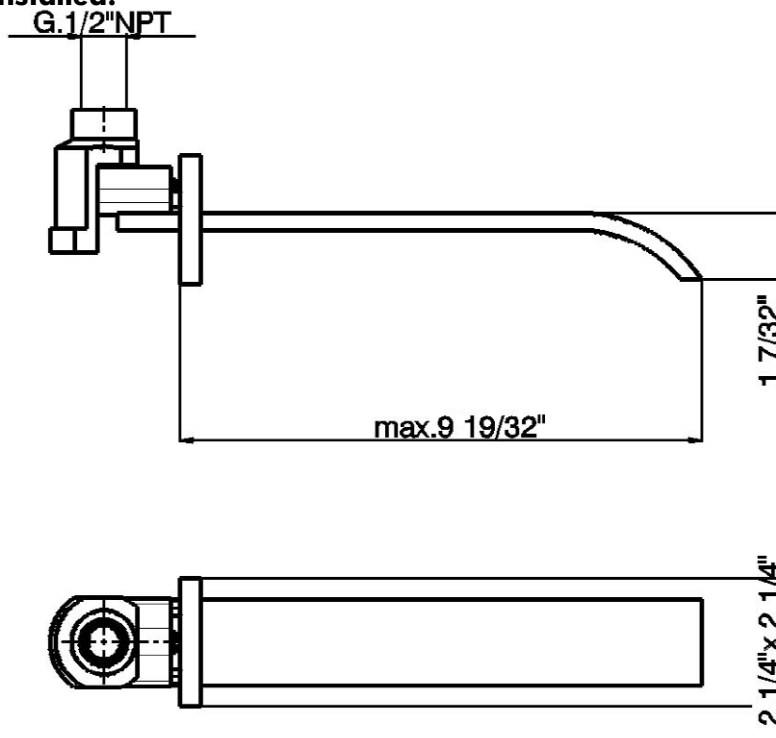
Do not set finish wall until the rough assembly is installed.

COLORS/FINISHES

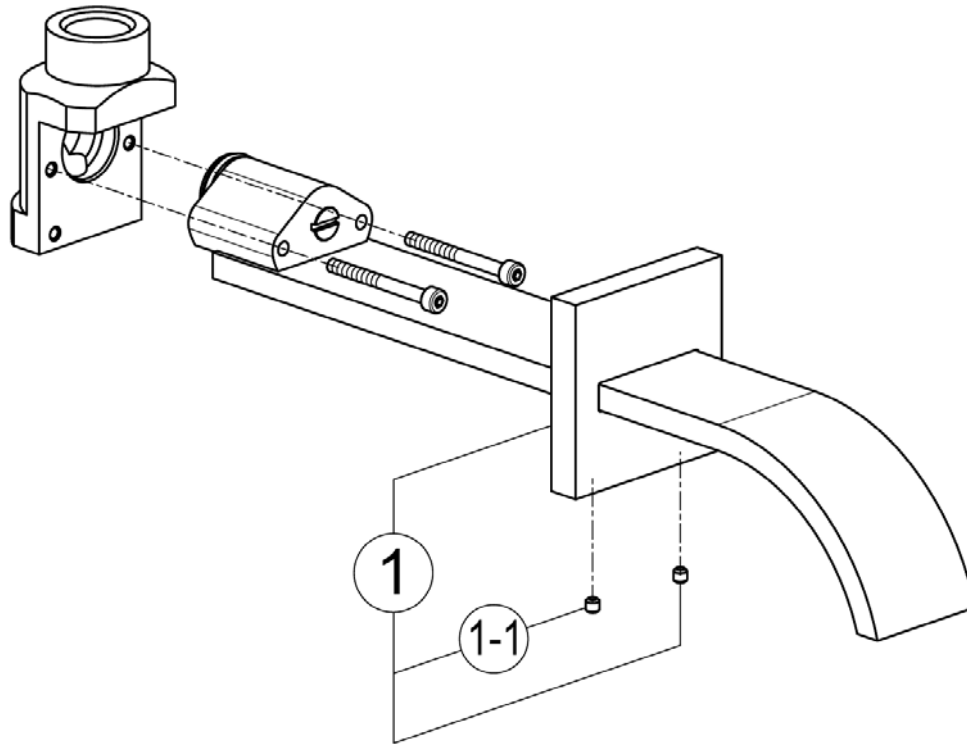
- Polished Chrome
- Satin Nickel

WARRANTY

- Limited Lifetime



WA24 Spare Parts



POS.	Description	Code
1	Escutcheon for built-in spout	ZZ 94946 0
1-1	Screw stainless steel M.4x4	ZZ 93328 0