

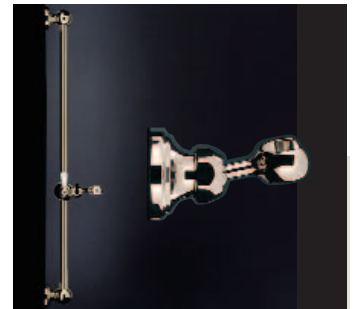
Specification



U.5540 • U.5544

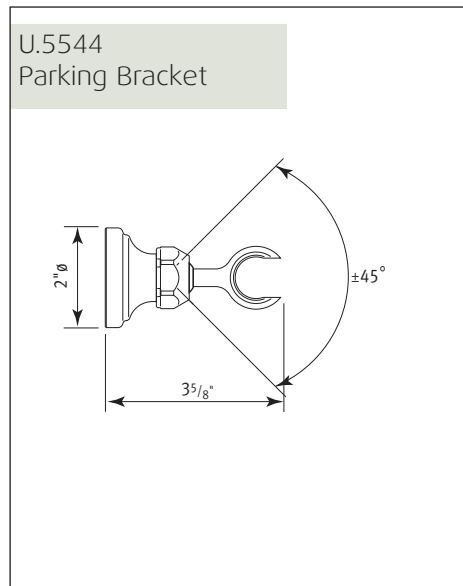
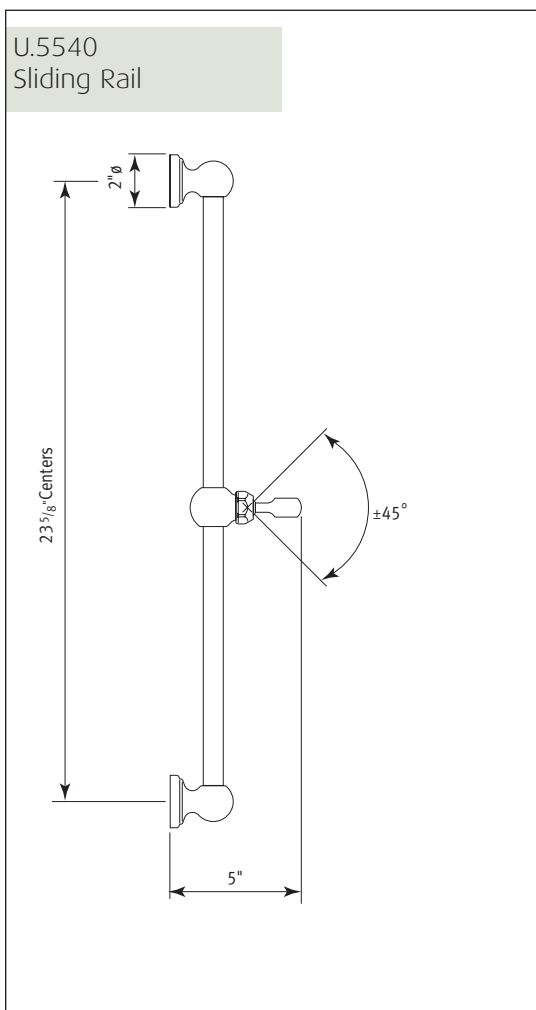
Sliding Rail & Parking Bracket

- Concealed Fixing ●



Finishes

- Polished Chrome
- Polished Nickel
- Satin Nickel
- Inca Brass
- Polished Chrome/Inca Brass
- Satin Nickel/Inca Brass
- Polished Nickel/Inca Brass



Packed Weight:

U.5540 1.8Kg / 4lbs

U.5544 0.3Kg / 1/2lbs

Specification

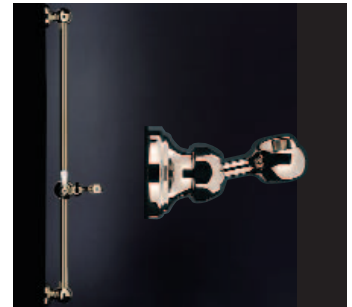


U.5540 • U.5544

Sliding Rail & Parking Bracket

- Concealed Fixing ●

Where * Indicated Specify Color.



Parts Breakdown

