

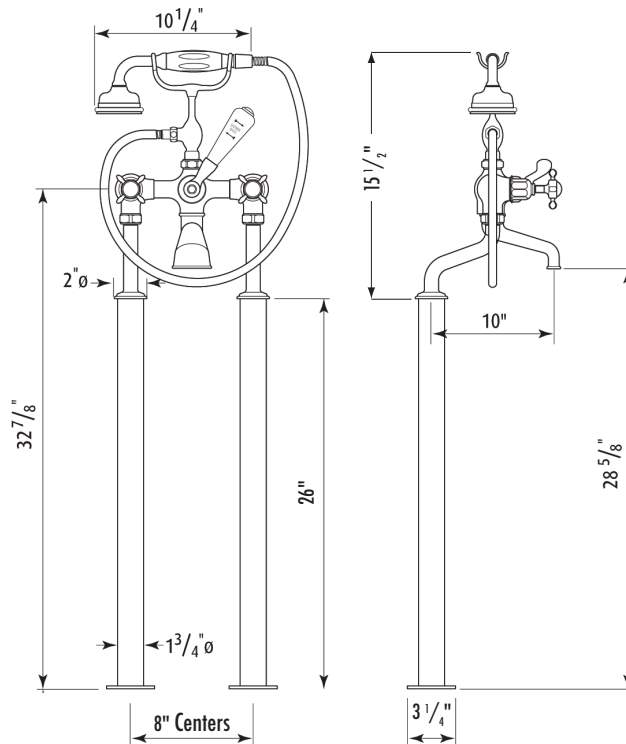
Specification



U.3521X/1 • U.3531X • U.5380 • U.6388

Tub/Shower Mixer with Extended Unions, Floor Legs, Handshower & Cradle and Crosshead Handles
Comprising U.3531X Mixer, U.5380 Handshower & Cradle, Floor Legs U.6388

- 1/4" turn ceramic disc flow control • Vernier insert for accurate handle alignment
- Unique handle construction with integral bearing ring • Internal shut-off for floor legs



Approvals:
IAPMO A112.18.1.M

Packed Weight:
10.6Kg/23 1/4

Temp Range:
Min 1°C / 34°F
Min 85°C / 185°F

Recommended working pressure:
Min 1 bar / 15 psi
Max 5 bar / 75 psi



Finishes

- Polished Chrome
- Polished Nickel
- Satin Nickel
- Inca Brass
- English Bronze

Specification

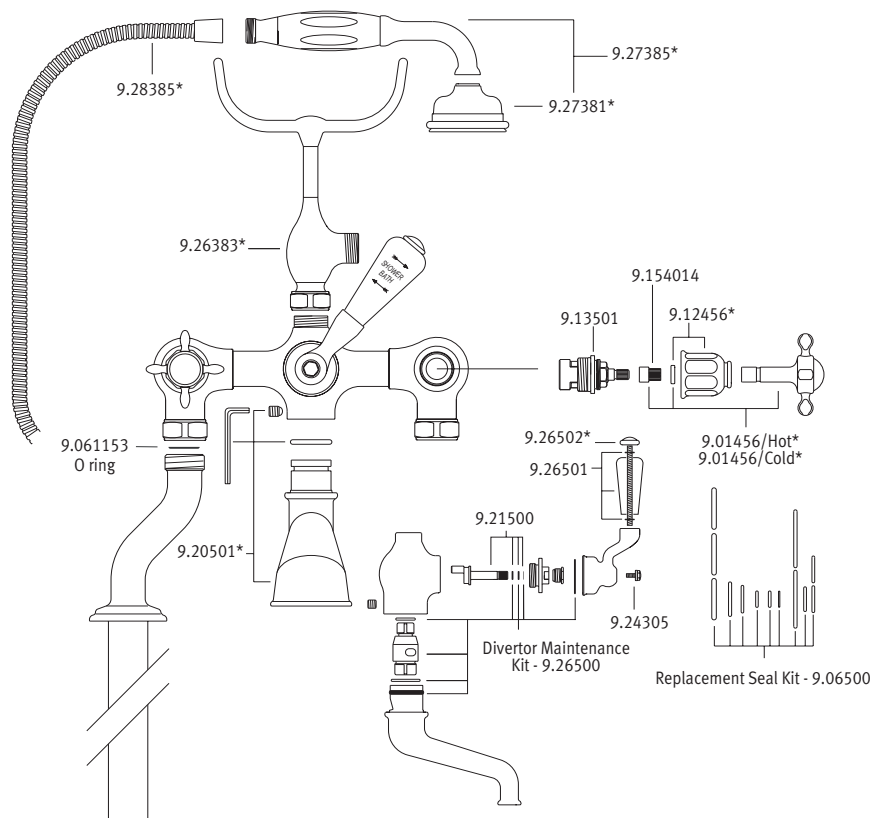


U.3521X/1 • U.3531X • U.5380 • U.6388

Tub/Shower Mixer with Extended Unions, Floor Legs, Handshower & Cradle and Crosshead Handles
Comprising U.3531X Mixer, U.5380 Handshower & Cradle, Floor Legs U.6388

- 1/4" turn ceramic disc flow control
- Vernier insert for accurate handle alignment
- Unique handle construction with integral bearing ring
- Internal shut-off for floor legs

See U.6388 for part numbers on unions



Parts Breakdown