



MODERN ARCHITECTURAL SIDE LEVER STAINLESS STEEL PULL-DOWN KITCHEN FAUCET

R7520SS

FEATURES

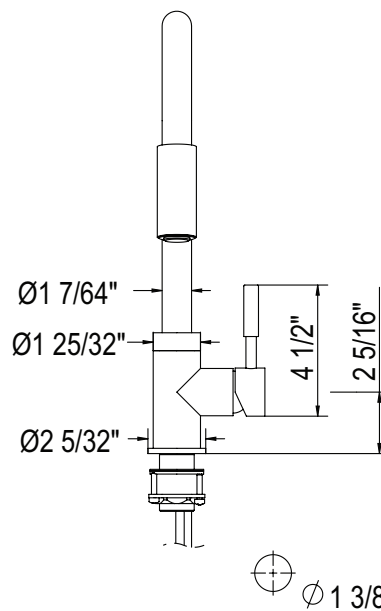
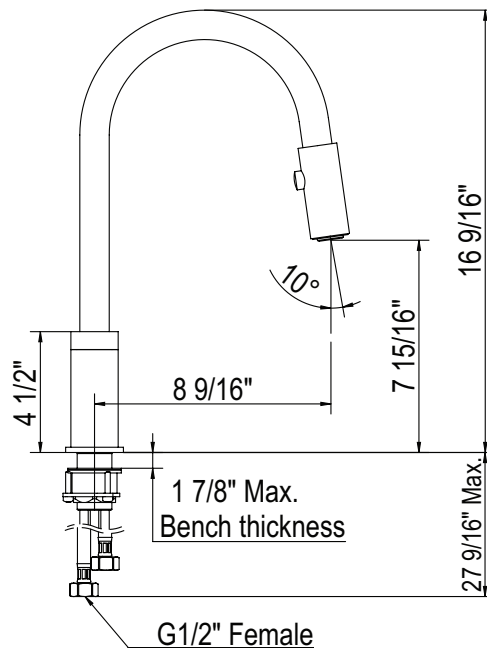
- Metal lever only
- Dual spray modes
- Stainless steel construction
- 1 7/8" max. installation depth on deck
- Ceramic disc control cartridge
- 8 9/16" reach C-spout, dual function retractable pull down spray
- Nylon hose
- 1.8 GPM

COLORS/FINISHES

- Stainless Steel

WARRANTY

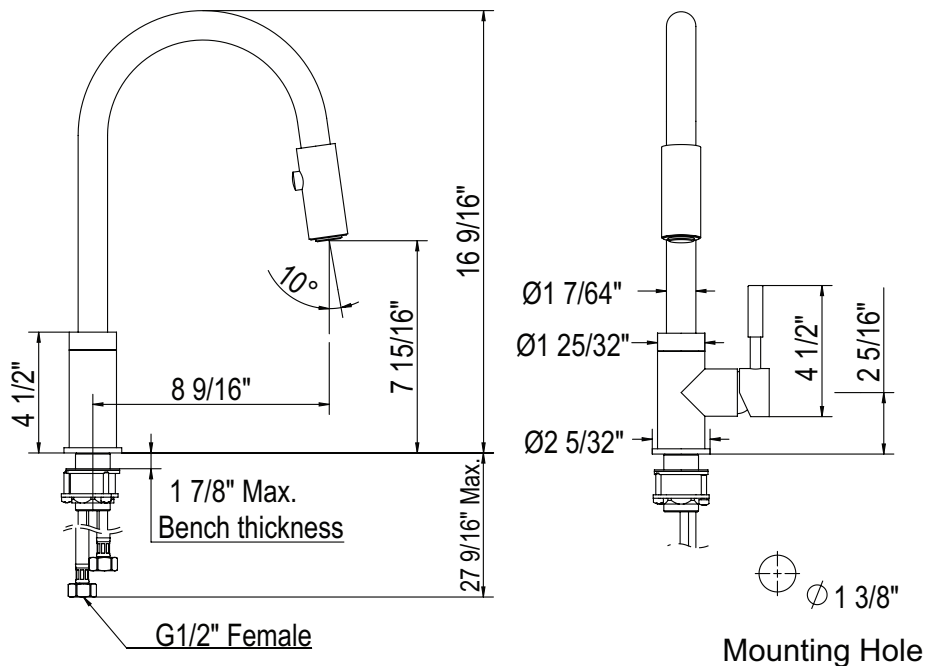
- Limited Lifetime



Mounting Hole

INSTALLATION INSTRUCTIONS

ROHL MODERN ARCHITECTURAL SIDE LEVER STAINLESS STEEL PULL-DOWN KITCHEN FAUCET INSTALLATION INSTRUCTIONS R7520SS



Please leave this form with the product once installed.

SYSTEM REQUIREMENTS

To ensure the optimum performance and customer satisfaction please adhere to the following:

- Flush out all pipe work prior to installation.
- Minimum operating pressure 40psi
- Maximum operating pressure 70psi
- Recommended operating pressure 60psi

*Note: Pressures over 70psi may require that the house have a pressure regulator installed to limit the pressure below 70psi.

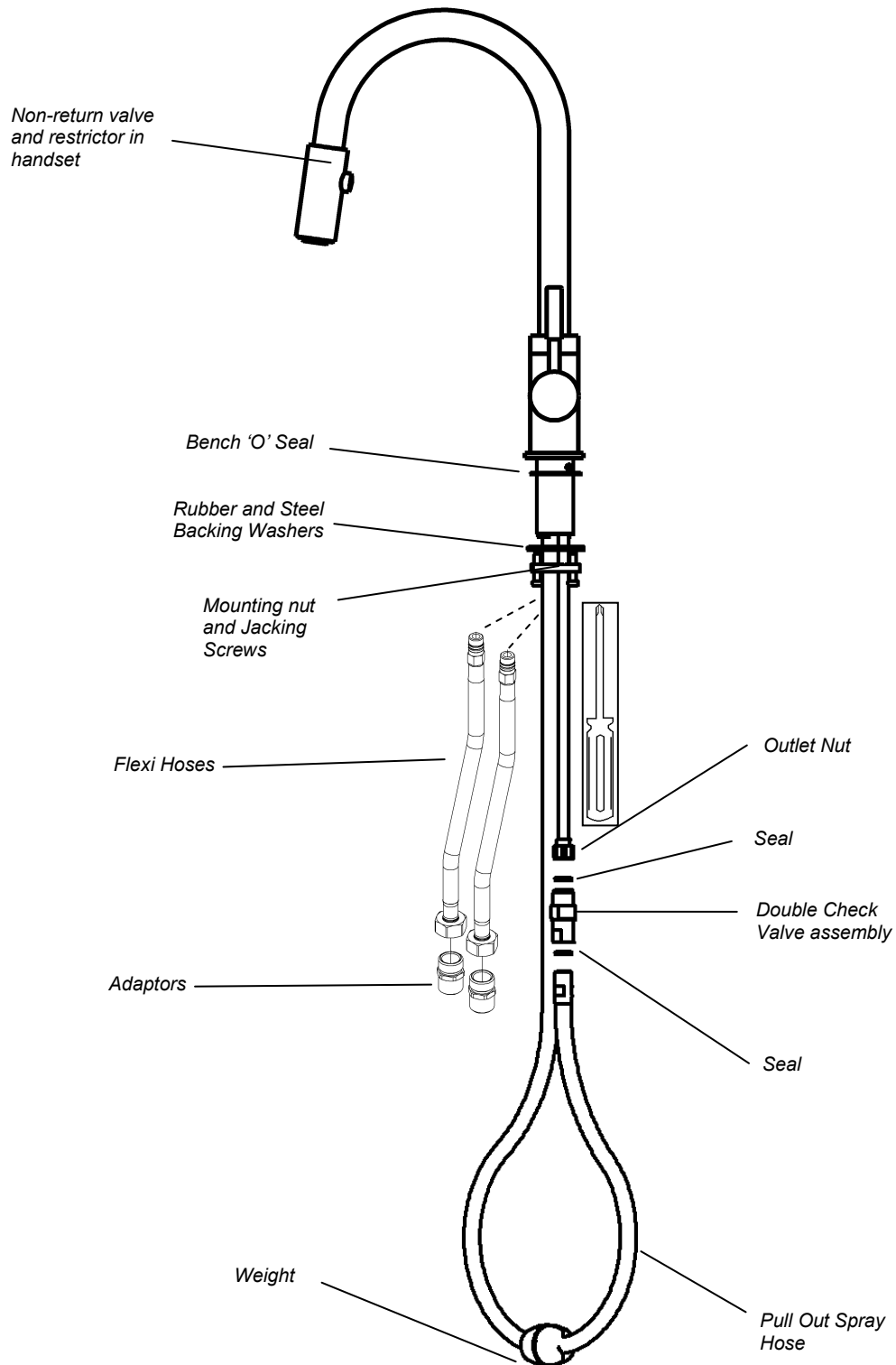
- Maximum hot water temperature 120°F
- If the water temperature exceeds 120°F an approved tempering valve must be fitted.
- Maximum flow rate limited to 1.8 US gallons/minute at 60psi flow pressure .

Failure to comply with the above will void all warranties.

Note: It is strongly recommended that in-line filters are fitted to both inlets.

#41942 02/14

INSTALLATION INSTRUCTIONS



INSTALLATION INSTRUCTIONS

Installation Instructions

Note: This mixer fits a maximum bench thickness of 2 inches and has a 140° spout arc.

1. *Flush pipe work to ensure it is free from debris.*
2. *Cut a mounting hole 1 3/8" diameter in the desired position for the mixer ensuring there is 30 inches of clear vertical space below the hole for free movement of the hose. Check there is 5/8" of flat surface around the edge of the hole, and that the handset is able to reach where required.*
3. *Remove mixer from packaging. Unscrew mounting nut and remove backing washers from the threaded mixer tail. Ensure 'O'ring is sitting in groove at base of mixer and lower mixer through mounting hole, position with lever on the right.*
4. *From below the deck install the rubber washer, steel washer and mounting nut over hose and onto threaded tail of mixer and tighten jack screws.*
5. *Install the flexi hoses to the mixer inlets*
 - a. *Apply grease to o-ring on flexi hoses. (Grease not supplied.)*
 - b. *Hand tighten hoses only.*
 - c. *Red tape on mixer inlet indicates the hot water side.*
6. *Install the adaptors supplied to the flexi hoses and make the connection to the supply lines.*
 - a. **Turn the nut and not the hose.** *Twisting the hose may cause damage, or low flow.*
 - b. **Do not over tighten.**
 - c. *The flexi hoses should have a radius of no less than 3 11/32".*
 - d. **Ensure that the flexi hoses do not foul the travel of the hose.**
7. *Install the hose to the check valve by turning the swivel thread end of the hose, not the hose itself. Ensure the sealing washer is in place and the double check valve assembly is tight to outlet nut.*
8. *Remove weight from packaging and install to hose approximately 24 inches below bench surface using the 2 screws supplied. Check travel of handset and reposition counter weight if necessary.*
9. *Turn on water supply and check for leaks. Check handset has been hand tightened to hose. Test operation of handset by pressing button of handset from pour to spray settings.*

ROHL

Authentic Luxury for Kitchen and Bath®

www.rohlhome.com

INSTALLATION INSTRUCTIONS

Care and Maintenance: *After use, wipe down with a soft, dry cloth.*

For all chrome plated surfaces clean this product with warm soapy water and then dry with a dry soft cloth.

Nickel plated, satin and Inca brass finishes should be cleaned with a soft cloth and warm water. Then dry with a dry soft cloth.

Do not use cream cleaners or cleaning agents containing a corrosive acid or scouring agent including: Softscrub, Comet, Ajax and Bonami, as these may damage the surface of the faucet.

Do not use any spray cleaners with ammonia or alcohol like Windex, 409 or Fantastik.

Any use of unsuitable cleaning agents causing damage to the surface will not be covered by the warranty.

WARRANTY: *Warranty is limited lifetime. See ROHL website for details. (www.rohlhome.com).*

A basic in-line filter system is required for the house to protect any debris from entering the water supply line to the house (i.e. due to construction or service work on the street water main).



ROHL LLC 3 Parker Irvine, CA 92688
714-557-1933 www.rohlhome.com