

BEVELLE

Tub and Shower Trim (less tub spout or showerhead, arm & flange)

5-1742BP

Also 3-289

Features

- Solid brass construction
- Face plate with ADA compliant traditional lever handle and diverter pull-knob
- ADA compliant traditional lever handle assembly for control valve
- Intended for use with Newport Brass rough valve(s) as specified (Required Accessory)

Codes / Standards Compliance

Meets or exceeds the following at date of manufacture:

- ASME A112.18.1/CSA B125.1
- IAPMO/cUPC
- IPC
- ADA
- ICC/ANSI A117.1
- ASSE 1016
- All applicable US Federal and State material regulations

Colors / Finishes

- 10B: Oil Rubbed Bronze
- 15: Polished Nickel
- 15S: Satin Nickel - PVD
- 26: Polished Chrome
- Other: Refer to the Newport Brass catalog for additional color/finish options.



3-289

Specified Model

Model	Description	Colors Finishes				
5-1742BP	Tub and Shower Trim (less tub spout or showerhead, arm & flange)	<input type="checkbox"/> 10B	<input type="checkbox"/> 15	<input type="checkbox"/> 15S	<input type="checkbox"/> 26	<input type="checkbox"/> Other
3-289	Diverter/Flow Control Trim	<input type="checkbox"/> 10B	<input type="checkbox"/> 15	<input type="checkbox"/> 15S	<input type="checkbox"/> 26	<input type="checkbox"/> Other

Required Accessory

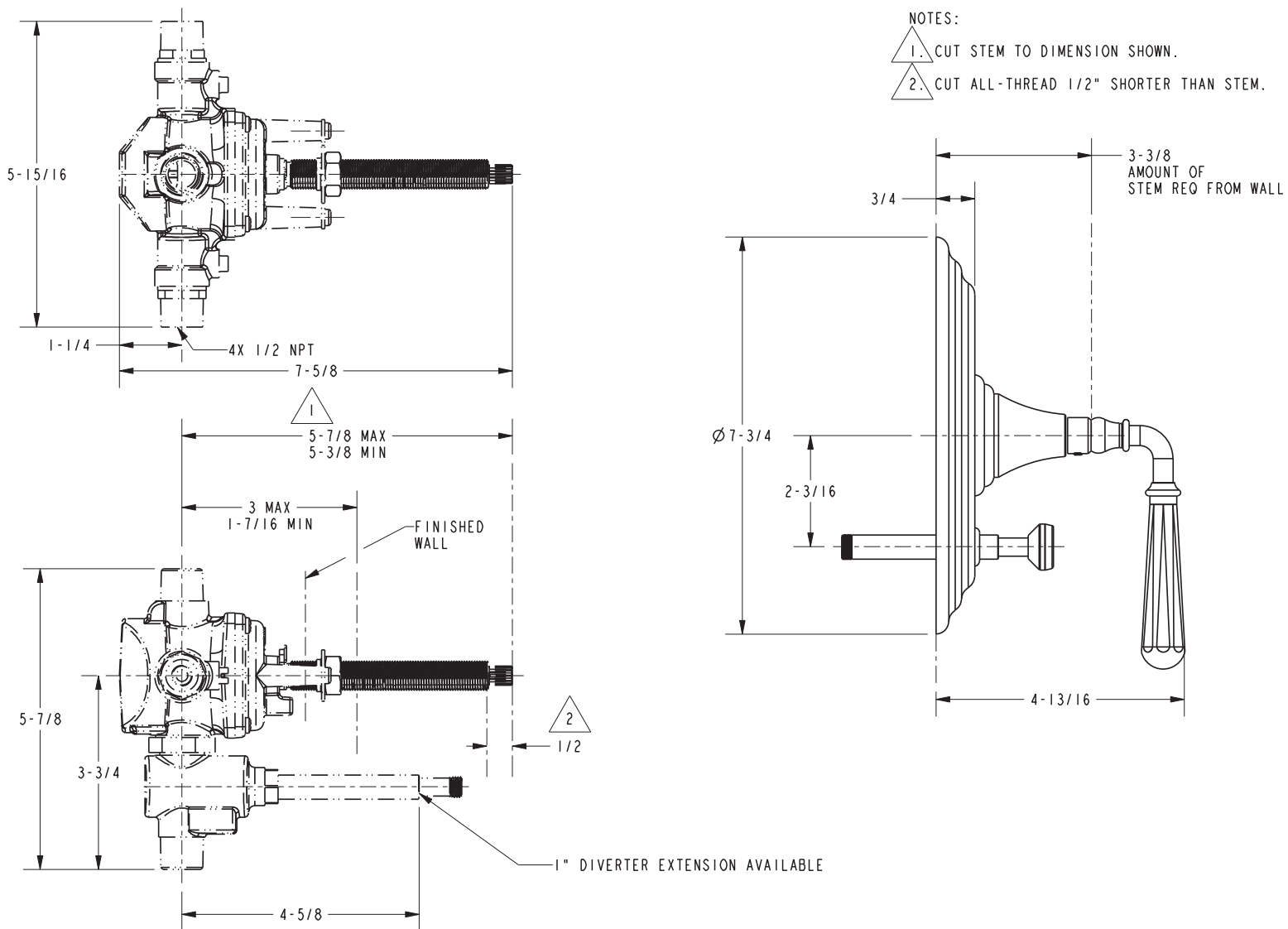
Application	Tub & Shower Valve (Choose One)		Control Valve (Optional)
	BP w/Diverter	BP w/Diverter	Diverter (3/4 Port)
Description			
Inlet/Outlet Size	1/2"	1/2"	1/2"
Part Number	<input type="checkbox"/> 1-595	<input type="checkbox"/> 1-685	<input type="checkbox"/> 1-617
Image			

Product Specification: Add "Color / Finish" suffix to Model number, below.

The single-control Tub and Shower Trim (less tub spout, showerhead, arm & flange) shall be made of solid brass construction. Tub and Shower Trim shall include faceplate with ADA compliant handle and diverter pull-knob. Shower System Control Valve Trim(s) (Escutcheon/Handle) shall be ADA compliant when used with specified Shower System Control Valve. Tub and Shower Trim (less tub spout, showerhead, arm & flange) shall be Newport Brass Model 5-1742BP/____ and single-control Tub and Shower rough valve shall be Newport Brass Model 1-____. [Optional Shower System Control Valve Trim (Escutcheon/Handle) shall be 3-289/____ and Shower System Control Valve shall be 1-617].

5-1742BP

PRODUCT DIMENSIONS *(Units are in inches)*



Bevelle Tub and Shower Trim 5-1742BP