

Toilet Tissue Holder
41-27

Features

- Solid brass construction
- Single-post, open roller design
- Complements Joffrey product series

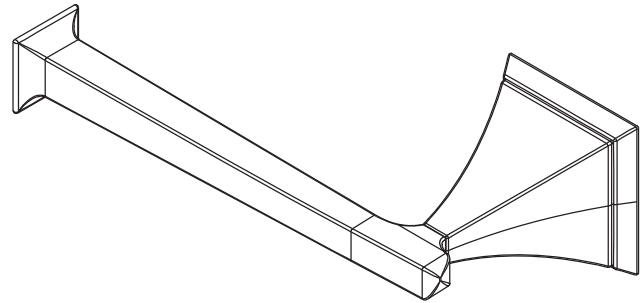
Codes / Standards Compliance

Meets or exceeds the following at date of manufacture:

- All applicable US Federal and State material regulations

Colors / Finishes

- 10B: Oil Rubbed Bronze
- 15: Polished Nickel
- 15S: Satin Nickel - PVD
- 26: Polished Chrome
- Other: Refer to the Newport Brass catalog for additional color/finish options.



Specified Model

| Model | Description | Colors Finishes |
|-------|----------------------|--|
| 41-27 | Toilet Tissue Holder | <input type="checkbox"/> 10B <input type="checkbox"/> 15 <input type="checkbox"/> 15S <input type="checkbox"/> 26 <input type="checkbox"/> Other |

Product Specification Add "Color / Finish" suffix to Model number, below.

The Toilet Tissue Holder shall be made of solid brass construction and incorporate a single-post, open roller design. Toilet Tissue Holder shall complement Newport Brass Joffrey product series. Toilet Tissue Holder shall be Newport Brass Model 41-27/_____.

41-27

PRODUCT DIMENSIONS *(Units are in inches)*

