

Features

- Solid brass construction
- Face plate with ADA compliant traditional level handle
- ADA compliant traditional lever handle assembly for control valve
- Intended for use with Newport Brass rough valve(s) as specified (Required Accessory)

Codes / Standards Compliance

Meets or exceeds the following at date of manufacture:

- ASME A112.18.1/CSA B125.1
- IAPMO/cUPC
- IPC
- ADA
- ICC/ANSI A117.1
- ASSE 1016
- All applicable US Federal and State material regulations

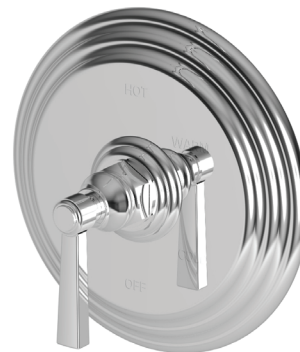
Colors / Finishes

- 10B: Oil Rubbed Bronze
- 15: Polished Nickel
- 15S: Satin Nickel - PVD
- 26: Polished Chrome
- Other: Refer to the Newport Brass catalog for additional color/finish options.

Tub or Shower Trim
(less tub spout or showerhead, arm & flange)

4-914BP

Also 3-343



4-914BP



3-343

Specified Model

| Model | Description | Colors Finishes | | | | |
|---------|---|------------------------------|-----------------------------|------------------------------|-----------------------------|--------------------------------|
| 4-914BP | Tub or Shower Trim (less tub spout or showerhead, arm & flange) | <input type="checkbox"/> 10B | <input type="checkbox"/> 15 | <input type="checkbox"/> 15S | <input type="checkbox"/> 26 | <input type="checkbox"/> Other |
| 3-343 | Shower System Control Valve Trim (Escutcheon/Handle) | <input type="checkbox"/> 10B | <input type="checkbox"/> 15 | <input type="checkbox"/> 15S | <input type="checkbox"/> 26 | <input type="checkbox"/> Other |

Required Accessory

| Application | Tub & Shower Valve (Choose One) | | Control Valve (Optional) |
|-------------------|---------------------------------|--------------------------------|--------------------------------|
| | BP w/Diverter | BP w/Diverter | Diverter (3/4 Port) |
| Description | | | |
| Inlet/Outlet Size | 1/2" | 1/2" | 1/2" |
| Part Number | <input type="checkbox"/> 1-595 | <input type="checkbox"/> 1-685 | <input type="checkbox"/> 1-617 |
| Image | | | |

Product Specification: Add "Color / Finish" suffix to Trim Model numbers, below.

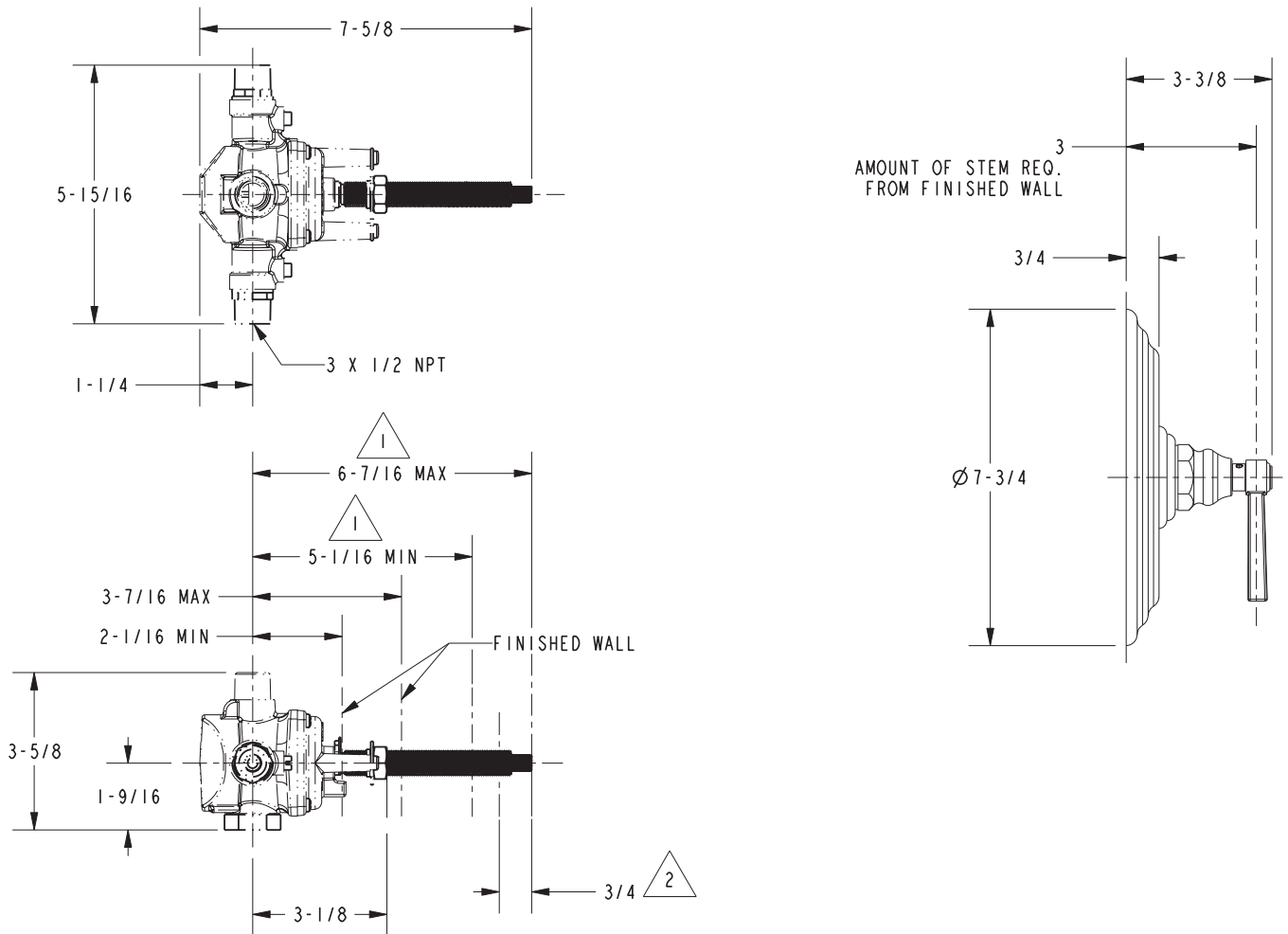
The single-control Tub or Shower Trim (less tub spout or showerhead, arm & flange) shall be made of solid brass construction. Tub or Shower Trim shall include faceplate with ADA compliant handle. Shower System Control Valve Trim(s) (Escutcheon/Handle) shall be ADA compliant when used with specified Shower System Control Valve. Tub or Shower Trim (less tub spout or showerhead, arm & flange) shall be Newport Brass Model 4-914BP/____ and single-control Tub or Shower rough valve shall be Newport Brass Model 1-____. [Optional Shower System Control Valve Trim (Escutcheon/Handle) shall be 3-343_/____ and Shower System Control Valve shall be 1-617].

4-914BP

PRODUCT DIMENSIONS *(Units are in inches)*

NOTES:

- 1. CUT STEM TO DIMENSION SHOWN.
- 2. CUT ALL-THREAD 3/4" SHORTER THAN STEM.



Astor Tub or Shower Trim 4-914BP