

Air Gap Kit
3190-5711



Features

- Solid brass cap
- 2-5/8" (6.7 cm) height above deck
- 2" (5.1 cm) square base
- 5/8" (1.6 cm) dishwasher inlet, 7/8" (2.2 cm) outlet
- Complements Heaney product series

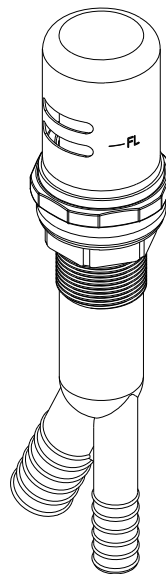
Codes / Standards Compliance

Meets or exceeds the following at date of manufacture:

- UPC
- All applicable US Federal and State material regulations

Colors / Finishes

- 10B: Oil Rubbed Bronze
- 15: Polished Nickel
- 15S: Satin Nickel - PVD
- 26: Polished Chrome
- Other: Refer to the Newport Brass catalog for additional color/finish options.



3190-5711



3190-5751

Specified Model

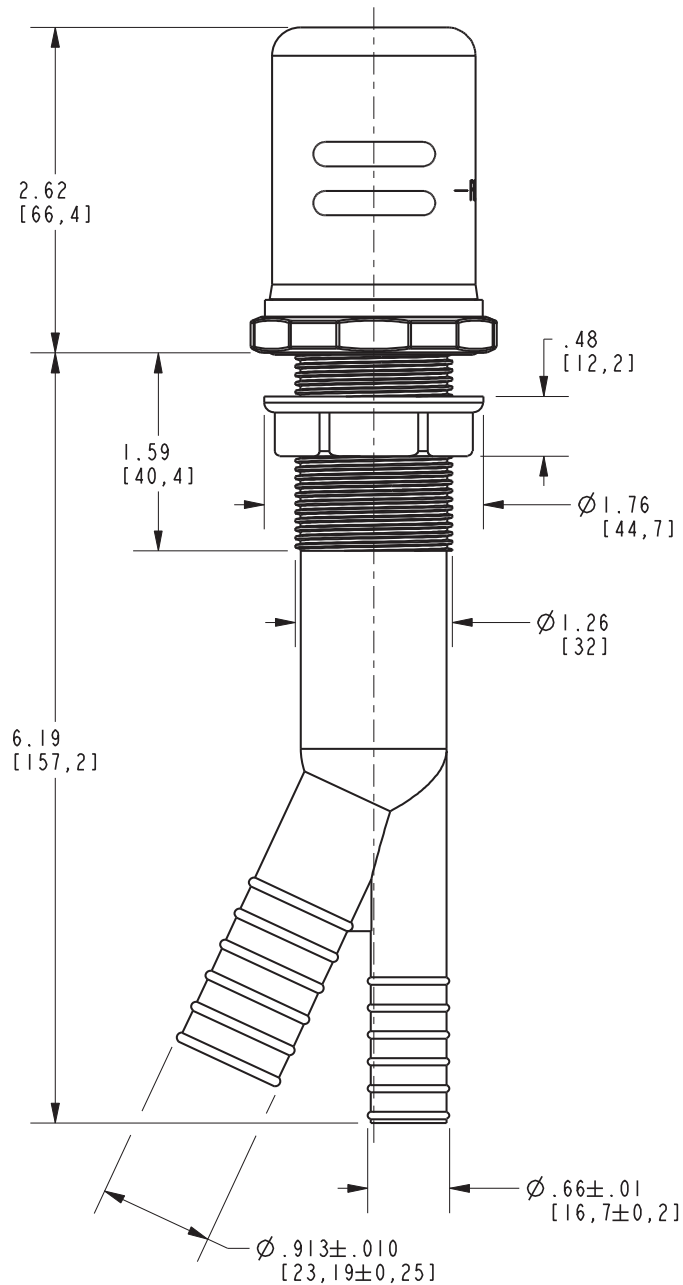
Model	Description	Colors Finishes				
3190-5711	Air Gap Kit	<input type="checkbox"/> 10B	<input type="checkbox"/> 15	<input type="checkbox"/> 15S	<input type="checkbox"/> 26	<input type="checkbox"/> Other
3190-5751	Air Gap Cap	<input type="checkbox"/> 10B	<input type="checkbox"/> 15	<input type="checkbox"/> 15S	<input type="checkbox"/> 26	<input type="checkbox"/> Other

Product Specification Add "Color / Finish" suffix to Model number, below.

The Air Gap Cap shall be made of solid brass construction. Product shall incorporate a 2-5/8" (6.7 cm) cap height and a 2" (5.1 cm) cap square base. The Air Gap Kit shall include the under deck mount air gap body. Air Gap Kit shall be Newport Brass Model 3190-5711/____. Air Gap Cap shall be Newport Brass Model 3190-5751/____.

3190-5711

PRODUCT DIMENSIONS *(Units are in inches)*



Heaney Air Gap Kit
3190-5711

NEWPORT BRASS
Flawless Beauty. From Faucet to Finish.™