

Features

- Solid brass construction
- Temperature-adjust handle for thermostatic valve
- ADA compliant traditional lever handle assembly for control valve
- Intergrated volume control diverter for directed,variable water flow
- Maximum temperature override button
- Intended for use with Newport Brass Luxtherm® 1/2"rough valve(s) as specified (Required Accessory)

Thermostatic Shower System Trim
3-913TS



Colors / Finishes

- 10B: Oil Rubbed Bronze
- 15: Polished Nickel
- 15S: Satin Nickel - PVD
- 26: Polished Chrome
- Other: Refer to the Newport Brass catalog for additional color/finish options.

Codes / Standards Compliance

Meets or exceeds the following at date of manufacture:

- ASME A112.18.1/CSA B125.1
- IAPMO/cUPC
- IPC
- ADA
- ICC/ANSI A117.1
- ASSE 1016
- All applicable US Federal and State material regulations

Specified Model

| Model | Description | Colors Finishes | | | | |
|---------|---------------------------------|------------------------------|-----------------------------|------------------------------|-----------------------------|--------------------------------|
| 3-913TS | Thermostatic Shower System Trim | <input type="checkbox"/> 10B | <input type="checkbox"/> 15 | <input type="checkbox"/> 15S | <input type="checkbox"/> 26 | <input type="checkbox"/> Other |

Required Accessory

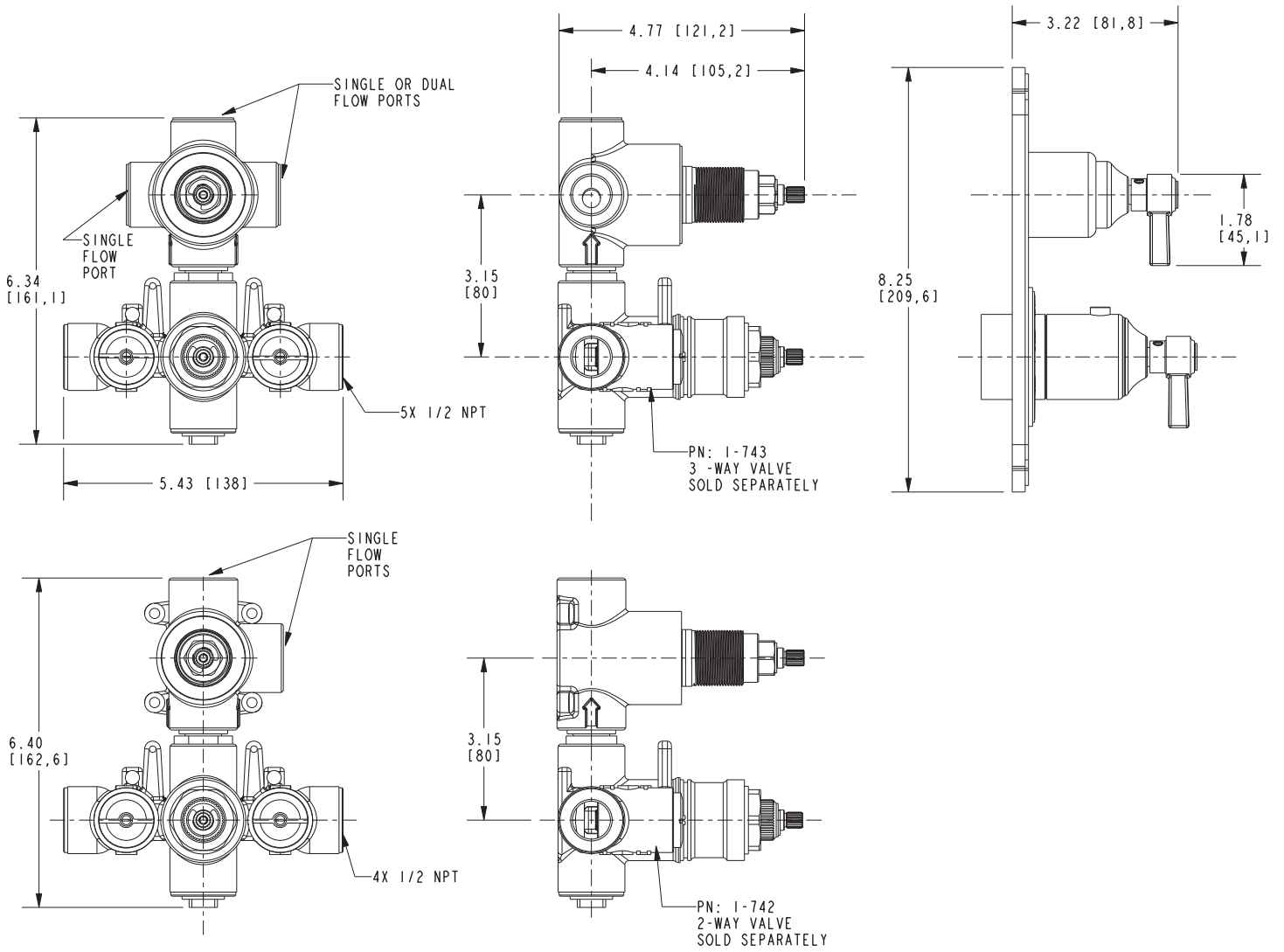
| Application | Shower System Valve (Choose One) | | Optional |
|-------------------|--|--|--------------------------------------|
| Description | Thermostatic with / 2 Way Flow Control | Thermostatic with / 3 Way Flow Control | (Optional Valve Trim Extentsion Kit) |
| Inlet/Outlet Size | 1/2" | 1/2" | 1/2" |
| Part Number | <input type="checkbox"/> 1-742 | <input type="checkbox"/> 1-743 | <input type="checkbox"/> 20-146 |
| Image | | | |

Product Specification: Add size designator and "Color / Finish" suffix to Model number, below.

The Thermostatic Shower System Trim shall be made of solid brass construction. Thermostatic Shower System Trim shall include a faceplate, diverter, and temperature-adjust handles. Shower System Control Valve Trim(s) (Escutcheon/Handles) shall be ADA compliant when used with specified Shower System Control Valve(s). Thermostatic Shower System Trim shall be Newport Brass Model 3-913TS/____ and Thermostatic Shower System Valve shall be Newport Brass Model 1-74___. [Optional Extension Kit for 1/2" Thermostatic Shower System Valve Trim shall be Newport Brass Model 20-146/ ____].

3-913TS

PRODUCT DIMENSIONS *(Units are in inches)*



Astor Thermostatic Shower System Trim
3-913TS