

MALVINA

Features

- Solid brass construction
- Complements Malvina product series
- Traditional styling
- Lever Handle is ADA compliant when used with Newport Brass valves
- Intended for use with:
 - Bidets - Balanced Pressure Shower - Roman Tub Faucets
 - Shower Control Valves and Diverters - Wide Spread Faucets
 - Wall Mounted Faucets

Lever Handle 3-580



Codes / Standards Compliance

Meets or exceeds the following at date of manufacture:

- ASME A112.18.1/CSA B125.1
- ADA
- All applicable US Federal and State material regulations

Colors / Finishes

- 10B: Oil Rubbed Bronze
- 15: Polished Nickel
- 15S: Satin Nickel - PVD
- 26: Polished Chrome
- Other: Refer to the Newport Brass catalog for additional color/finish options.



Specified Model

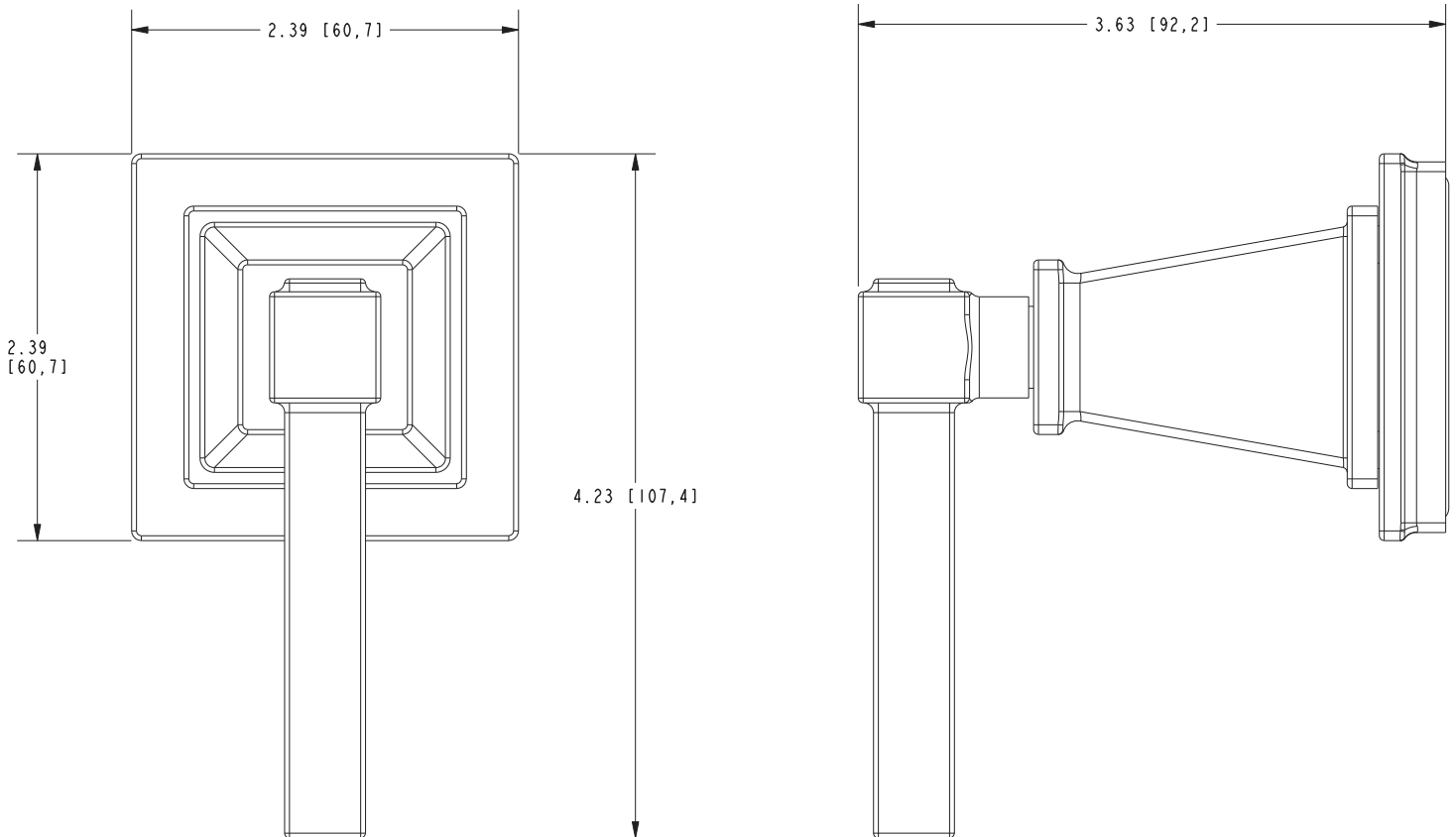
Model	Description	Colors Finishes
3-580	Lever Handle	<input type="checkbox"/> 10B <input type="checkbox"/> 15 <input type="checkbox"/> 15S <input type="checkbox"/> 26 <input type="checkbox"/> Other

Product Specification: Add "Color / Finish" suffix to Model number, below.

Trim components shall be of solid brass construction. Trim shall include Escutcheon and Handle. Handle assemblies can be used as part of a shower system specification for (a) shower control valves and diverters BUT ALSO can be ordered as replacement parts for (b) widespread faucets (c) wall mounted faucets (d) Roman Tub faucets and (e) BP shower handle replacements for nearly all collections (except Kiara, for example). Lever Handle with Escutcheon Trim shall be Newport Brass Model 3-580/____.

3-580

PRODUCT DIMENSIONS *(Units are in inches)*



Malvina Lever Handle
3-580