

ALEXANDRIA

Lever Handle Trim

3-248

Features

- Solid brass construction
- Complements Alexandria product series
- Lever Handle is ADA compliant when used with Newport Brass valves.
- Intended for use with: Bidets - Balanced Pressure Shower - Roman Tub Faucets - Shower Control Valves and Diverters - Wide Spread Faucets - Wall Mounted Faucets

Codes / Standards Compliance

Meets or exceeds the following at date of manufacture:

- All applicable US Federal and State material regulations

Colors / Finishes

- 10B: Oil Rubbed Bronze
- 15: Polished Nickel
- 15S: Satin Nickel - PVD
- 26: Polished Chrome
- Other: Refer to the Newport Brass catalog for additional color/finish options.



Specified Model

Model	Description	Colors Finishes
3-248	Lever Handle Trim	<input type="checkbox"/> 10B <input type="checkbox"/> 15 <input type="checkbox"/> 15S <input type="checkbox"/> 26 <input type="checkbox"/> Other

Product Specification:

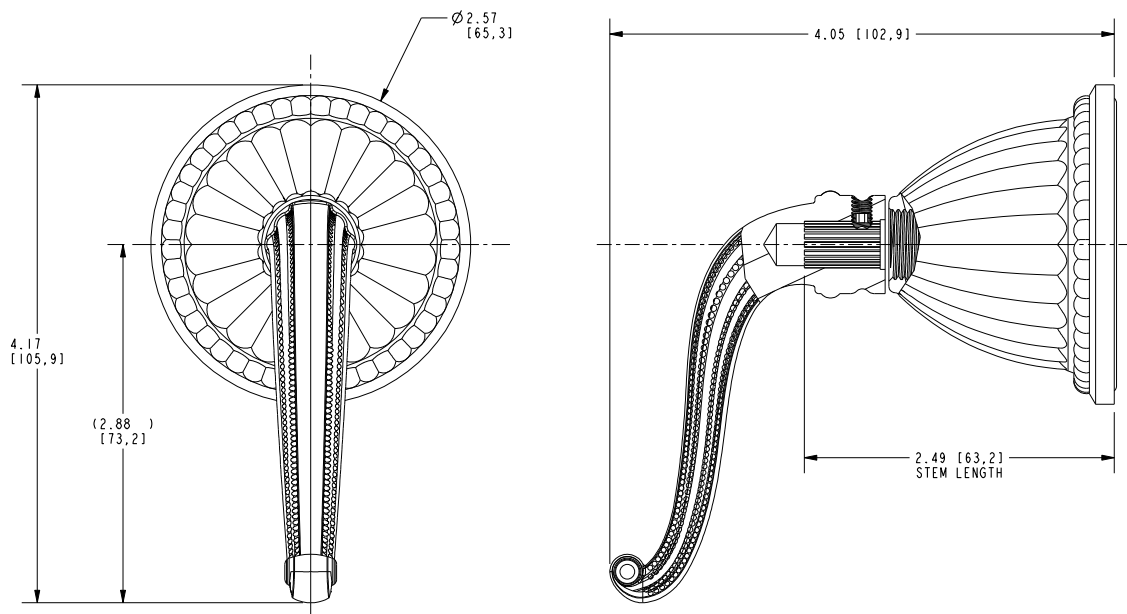
Add "Color / Finish" suffix to Model number, below.

Trim components shall be of solid brass construction. Trim shall include Escutcheon and Handle assemblies can be used as part of a shower system specification for (a) shower control valves and diverters BUT ALSO can be ordered as replacement parts for (b) widespread faucets (c) wall mounted faucets (d) Roman Tub faucets and (e) BP shower handle replacements for nearly all collections (except Kiara, for example). Handle with Escutcheon Trim shall be Newport Brass Model 3-248/_____.

3-248

PRODUCT DIMENSIONS *(Units are in inches)*

Product Dimensions are provided for reference only. For specific product installation guidelines, please reference the Installation Instructions of the product being installed.



Alexandria Lever Handle Trim 3-248