

**Features**

- Solid brass construction
- Quarter-turn washerless ceramic disc valve cartridges 3/4"
- NPT hot and cold inlet fittings
- 8-3/4" (22.2 cm) to 10-1/8" (25.7 cm) tub spout reach (wall-center)
- 2" (5.1 cm) handshower diameter
- For wall mounted configurations, all is included
- "For floor mounted configurations, select optional accessories, below"
- ADA Compliant
- 1.8 GPM (6.8 LPM) Max, Handshower Only

**Tub and Handshower Set**  
**1620-4283**



**Codes / Standards Compliance**

Meets or exceeds the following at date of manufacture:

- ASME A112.18.1/CSA B125.1-18
- IAMPO/cUPC
- ADA & ICC/ANSI A117.1
- Energy Policy Act of 1992
- EPA WaterSense California Energy Commission
- ASME A112.18.3 (Back Flow)
- All applicable US Federal and State material regulations

**Colors / Finishes**

- 10B: Oil Rubbed Bronze
- 15: Polished Nickel
- 15S: Satin Nickel - PVD
- 26: Polished Chrome
- Other: Refer to the Newport Brass catalog for additional color/finish options.

**Specified Model**

Model	Description	Colors   Finishes
1620-4283	Exposed Tub and Handshower Set (Wall Mount)	<input type="checkbox"/> 10B <input type="checkbox"/> 15 <input type="checkbox"/> 15S <input type="checkbox"/> 26 <input type="checkbox"/> Other

**Required Accessories**

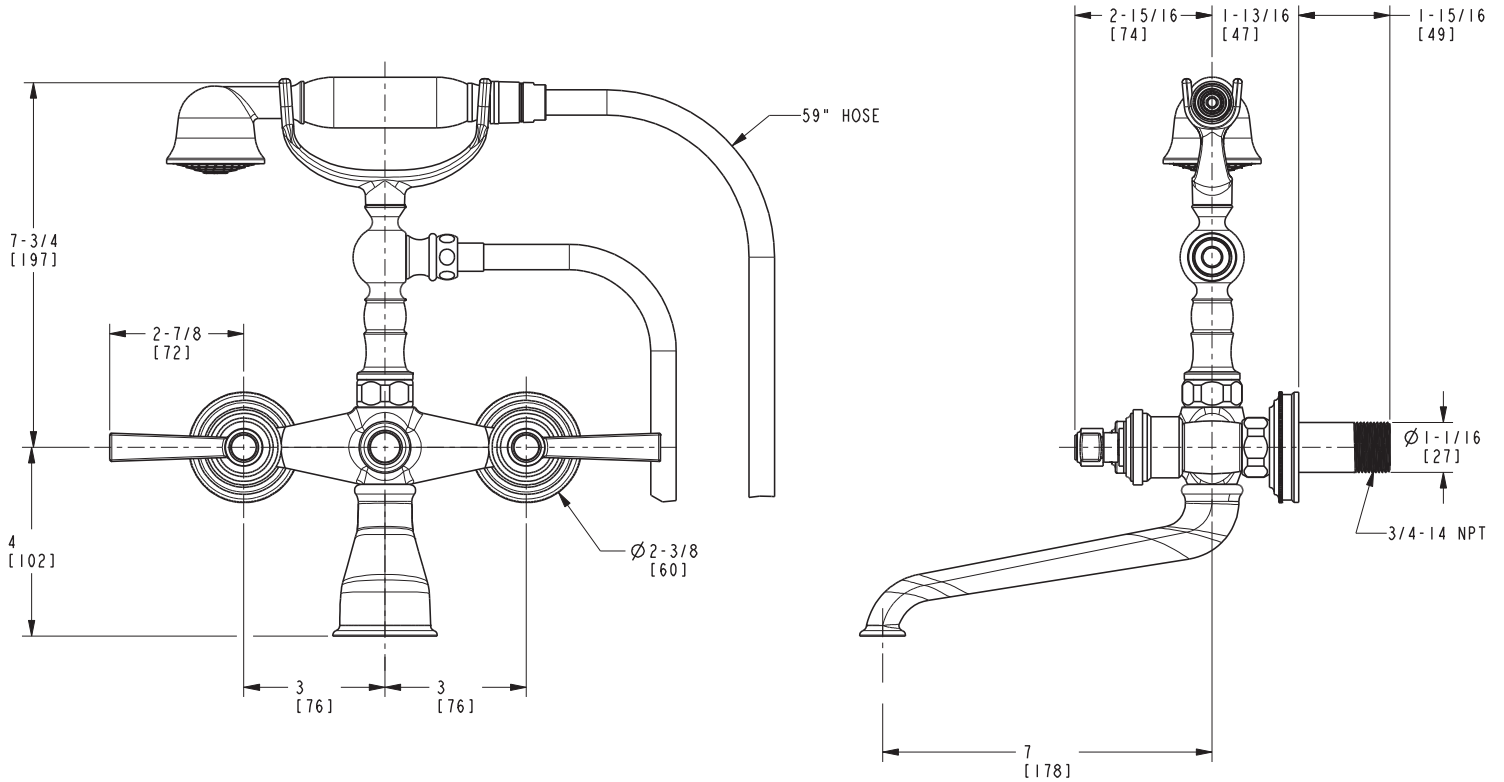
Model	Description	Colors   Finishes
3-196	Floor Mounting Kit (3/4" NPT x 31" risers)	<input type="checkbox"/> 10B <input type="checkbox"/> 15 <input type="checkbox"/> 15S <input type="checkbox"/> 26 <input type="checkbox"/> Other
3-226	Floor Mounting Kit (3/4" NPT x 24" risers)	<input type="checkbox"/> 10B <input type="checkbox"/> 15 <input type="checkbox"/> 15S <input type="checkbox"/> 26 <input type="checkbox"/> Other
3-192	Shut-off Valve Set (Pair, Hot & Cold)	<input type="checkbox"/> 10B <input type="checkbox"/> 15 <input type="checkbox"/> 15S <input type="checkbox"/> 26 <input type="checkbox"/> Other
2-734	Tub Stabilizer Kit	<input type="checkbox"/> 10B <input type="checkbox"/> 15 <input type="checkbox"/> 15S <input type="checkbox"/> 26 <input type="checkbox"/> Other

**Product Specification** Add "Color / Finish" suffix to Model number, below.

The Exposed Tub and Handshower Set shall be made of solid brass construction and incorporate quarter-turn washerless ceramic disc valve cartridges. Exposed Tub and Handshower Set shall incorporate a push button diverter and ADA complaint lever handles. Product shall be designed for wall-mounted configurations and be able to accommodate floor mounted configurations via the addition of optional accessories. Product shall have a 8-3/4" (22.2 cm) to 10-1/8" (25.7 cm) tub spout reach (wall-center) and 3/4" NPT wall-mounted hot/cold inlet fittings. Product shall feature a solid brass handshower having a diameter of 2" (5.1 cm) and a 1.8 gallons (6.7 liters) per minute maximum flow rate. Exposed Tub and Handshower Set shall be Newport Brass Model 1620-4283/\_\_\_\_. [Optional Floor Mounting Kit (3/4" NPT) shall be 3-\_\_\_\_/\_\_\_\_, Shut-off Valve Set shall be 3-192/\_\_\_\_ and Tub Stabilizer Kit shall be 2-734/\_\_\_\_.]

# 1620-4283

## PRODUCT DIMENSIONS *(Units are in inches)*



### Miro Tub and Handshower Set 1620-4283