

NEWPORT BATH

Features

- Solid brass construction
- Provides anti-scald protection and temperature regulation
- Pressure-balancing technology maintains water temperature within +/- 2 degrees Fahrenheit
- High-temperature safety stop ensures water temperature stays below maximum setting
- Integral hot and cold inlet stops ensure easy cartridge access and Integral pull-style diverter with automatic reset
- 1-1/16" functional depth (center-back) enables back-to-back installation.
- Maximum handle rotational requirement of 150 degrees to achieve maximum temperature setting
- Requires Newport Brass BP Valve Trim (many options available, sold-separately)

BP Rough Valve

1-685



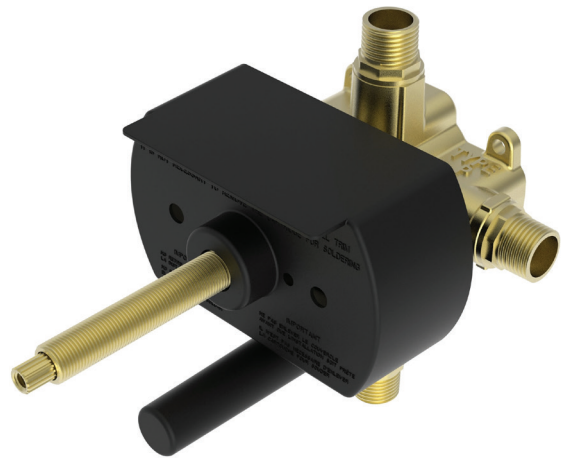
Codes / Standards Compliance

Meets or exceeds the following at date of manufacture:

- ASME A112.18.1/CSA B125.1-18
- IAMPO/cUPC
- IPC
- ASSE 1016 / ASME A112.1016
- All applicable US Federal and State material regulations

Colors / Finishes

- 10B: Oil Rubbed Bronze
- 15: Polished Nickel
- 15S: Satin Nickel - PVD
- 26: Polished Chrome
- Other: Refer the Newport Brass catalog for additional color/finish options.



Specified Model

Model	Description	Colors Finishes
1-685	Balance Pressure Valve W/ Diverter For Tub and Shower Installations	<input type="checkbox"/> NA

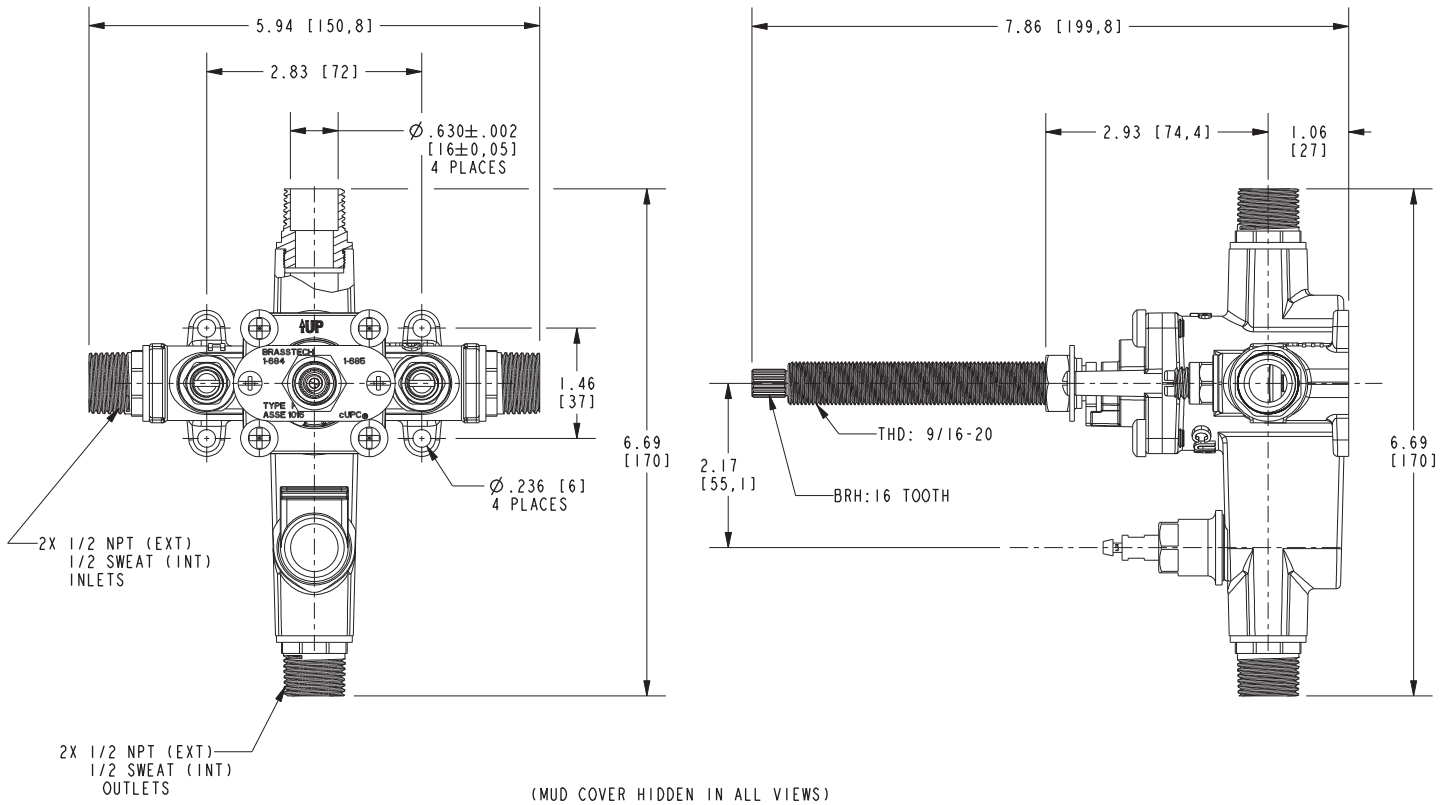
Product Specification:

Add "Color / Finish" suffix to Model number, below.

The Balance Pressure Valve for shower installations shall be made of solid brass construction. Valve shall provide anti-scald protection and temperature regulation while maintaining a constant set temperature of +/- 2 °F when exposed to in-line pressure variations. Valve shall incorporate a high-temperature safety stop to allow for maximum temperature control at time of installation. Valve inlets shall include integral stops and incorporate a universal design so as to allow both NPT and direct sweat connections. Valve shall have an integral pull-style diverter with automatic preset. Valve shall incorporate mounting tabs along the back surface. Valve shall have a functional depth (center – back) of 1-1/16" and a maximum permissible handle rotation of 150° to achieve maximum temperature setting. Balance Pressure Valve for shower installations shall be Newport Brass Model 1-685.

1-685

PRODUCT DIMENSIONS *(Units are in inches)*



Newport BP Rough Valve 1-685