

**Features**

- Solid brass construction
- Quarter-turn washerless ceramic disc valve cartridges
- ADA compliant traditional lever handles with lever diverter
- 3/4" NPT hot and cold inlet fittings
- 8-5/8" (21.9 cm) to 8-1/8" (20.6 cm) tub spout reach (wall-center)
- 2" (5.1 cm) handshower diameter
- 2.0 gallons (7.6 liters) per minute handshower maximum flow rate
- For wall mounted configurations, all is included
- For floor mounted configurations, select optional accessories, below

**Tub and Handshower Set**  
**910-4283**



**Codes / Standards Compliance**

Meets or exceeds the following at date of manufacture:

- ASME A112.18.1/CSA B125.1
- IAPMO/cUPC
- ADA
- ICC/ANSI A117.1
- Energy Policy Act of 1992
- All applicable US Federal and State material regulations

**Colors / Finishes**

- 10B: Oil Rubbed Bronze
- 15: Polished Nickel
- 15S: Satin Nickel - PVD
- 26: Polished Chrome
- Other: Refer to the Newport Brass catalog for additional color/finish options.

**Specified Model**

| Model    | Description                                 | Colors   Finishes  |
|----------|---|--|
| 910-4283 | Exposed Tub and Handshower Set (Wall Mount) | <input type="checkbox"/> 10B <input type="checkbox"/> 15 <input type="checkbox"/> 15S <input type="checkbox"/> 26 <input type="checkbox"/> Other |

**Optional Accessories**

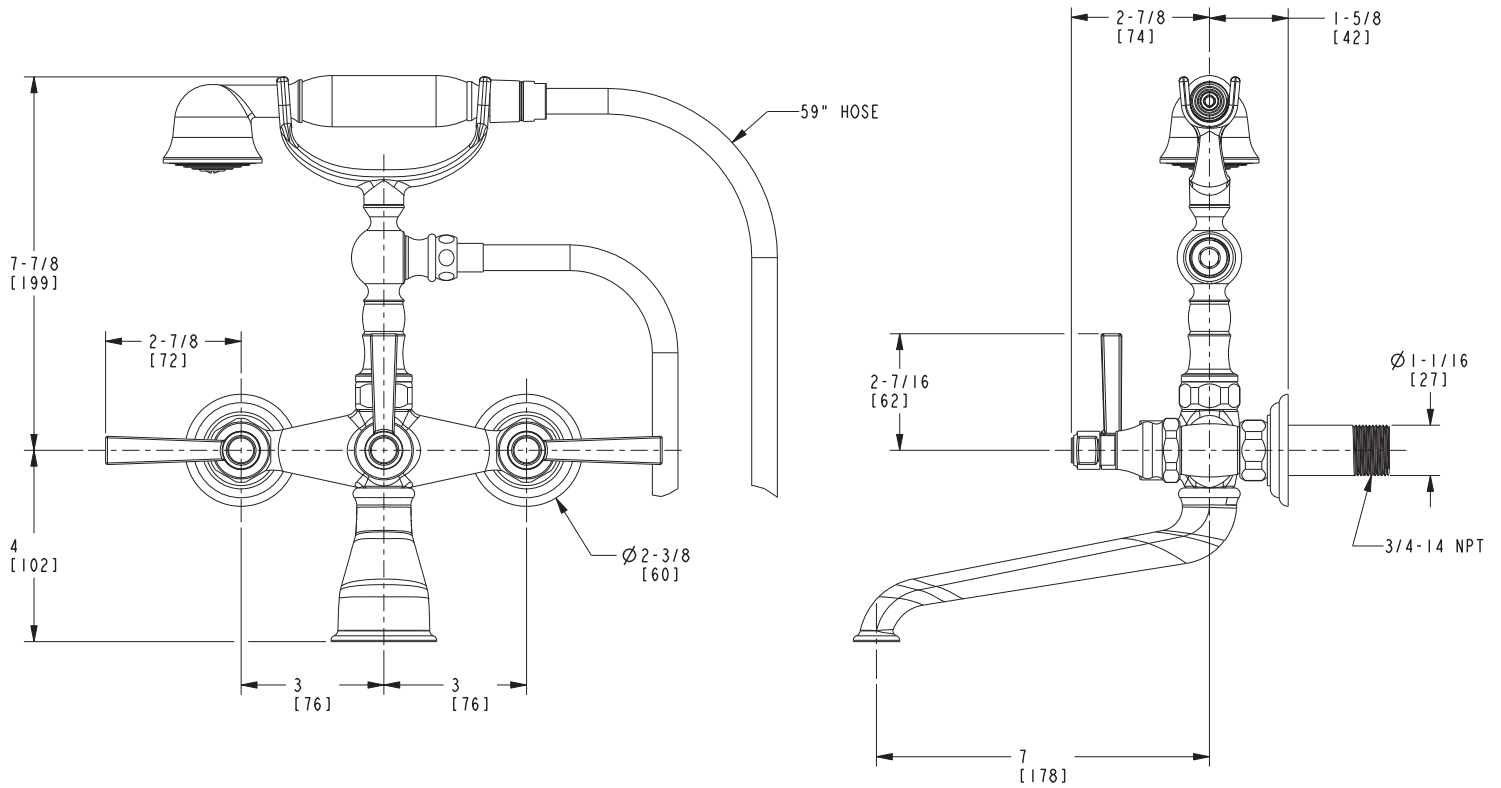
| Model | Description                                | Colors   Finishes  |
|-------|--|--|
| 3-196 | Floor Mounting Kit (3/4" NPT x 31" risers) | <input type="checkbox"/> 10B <input type="checkbox"/> 15 <input type="checkbox"/> 15S <input type="checkbox"/> 26 <input type="checkbox"/> Other |
| 3-226 | Floor Mounting Kit (3/4" NPT x 24" risers) | <input type="checkbox"/> 10B <input type="checkbox"/> 15 <input type="checkbox"/> 15S <input type="checkbox"/> 26 <input type="checkbox"/> Other |
| 3-192 | Shut-off Valve Set (Pair, Hot & Cold)      | <input type="checkbox"/> 10B <input type="checkbox"/> 15 <input type="checkbox"/> 15S <input type="checkbox"/> 26 <input type="checkbox"/> Other |
| 2-734 | Tub Stabilizer Kit                         | <input type="checkbox"/> 10B <input type="checkbox"/> 15 <input type="checkbox"/> 15S <input type="checkbox"/> 26 <input type="checkbox"/> Other |

**Product Specification** Add "Color / Finish" suffix to Model number, below.

The Exposed Tub and Handshower Set shall be made of solid brass construction and incorporate quarter-turn washerless ceramic disc valve cartridges. Exposed Tub and Handshower Set shall incorporate a lever diverter and ADA compliant lever handles. Product shall be designed for wall-mounted configurations and be able to accommodate floor mounted configurations via the addition of optional accessories. Product shall have a 8-5/8" (21.9 cm) to 10-1/8" (25.7 cm) tub spout reach (wall-center) and 3/4" NPT wall-mounted hot/cold inlet fittings. Product shall feature a solid brass handshower having a diameter of 2" (5.1 cm) and a 2.0 gallons (7.6 liters) per minute maximum flow rate. Exposed Tub and Handshower Set shall be Newport Brass Model 910-4283/\_\_\_\_. [Optional Floor Mounting Kit (3/4" NPT) shall be 3-\_\_\_\_\_/\_\_\_\_\_, Shut-off Valve Set shall be 3-192/\_\_\_\_ and Tub Stabilizer Kit shall be 2-734/\_\_\_\_.]

# 910-4283

## PRODUCT DIMENSIONS *(Units are in inches)*



### Astor Tub and Handshower Set 910-4283