

**Features**

- Solid brass construction
- Face plate with ADA compliant traditional cross handle
- ADA compliant traditional cross handle assembly for control valve
- Intended for use with Newport Brass rough valve(s) as specified (Required Accessory)

**Codes / Standards Compliance**

Meets or exceeds the following at date of manufacture:

- ASME A112.18.1/CSA B125.1
- IAPMO/cUPC
- IPC
- ADA
- ICC/ANSI A117.1
- ASSE 1016
- All applicable US Federal and State material regulations

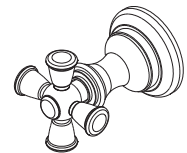
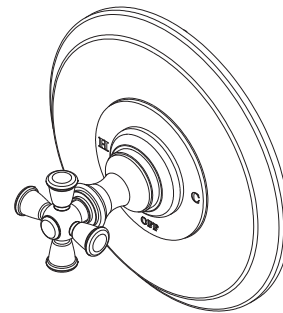
**Colors / Finishes**

- 10B: Oil Rubbed Bronze
- 15: Polished Nickel
- 15A: Antique Nickel
- 26: Polished Chrome
- Other: Refer to the Newport Brass catalog for additional color/finish options.

**Tub or Shower Trim**  
(less tub spout or showerhead, arm & flange)

**4-2444BP**

**Also 3-378**



4-2444BP

3-378

**Specified Model**

Model	Description	Colors / Finishes				
4-2444BP	Tub or Shower Trim (less tub spout or showerhead, arm & flange)	<input type="checkbox"/> 10B	<input type="checkbox"/> 15	<input type="checkbox"/> 15A	<input type="checkbox"/> 26	<input type="checkbox"/> Other
3-378	Shower System Control Valve Trim (Escutcheon/Handle)	<input type="checkbox"/> 10B	<input type="checkbox"/> 15	<input type="checkbox"/> 15A	<input type="checkbox"/> 26	<input type="checkbox"/> Other

**Required Accessory: Trim(s), above, and Rough Valve(s), below, must be specified.**

Application	Tub Only Valve*	Shower (or Tub) Valve	Tub & Shower Valve	Shower System Valve	Control Valve
Description	2-Cartridge Assembly	Balance Pressure (BP)	BP w/ Diverter	Thermostatic	Diverter (3/4 port)
Inlet/Outlet Size	1/2"	1/2"	1/2"	3/4"	1/2"
Part Number	<input type="checkbox"/> NA	<input type="checkbox"/> 1-594	<input type="checkbox"/> NA	<input type="checkbox"/> NA	<input type="checkbox"/> 1-617
Image					

**Product Specification: Add "Color / Finish" suffix to Model number, below.**

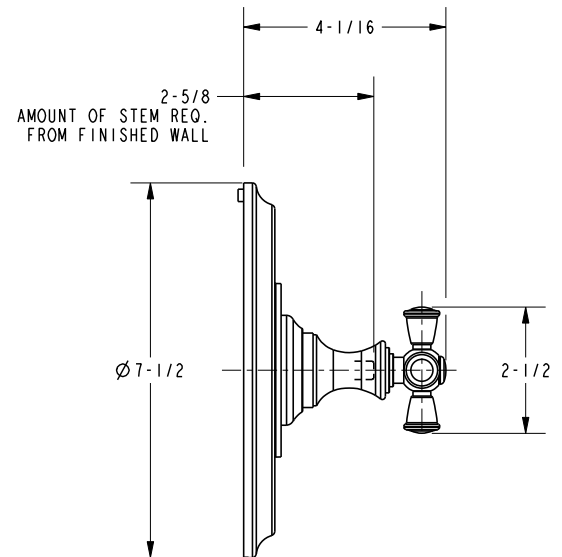
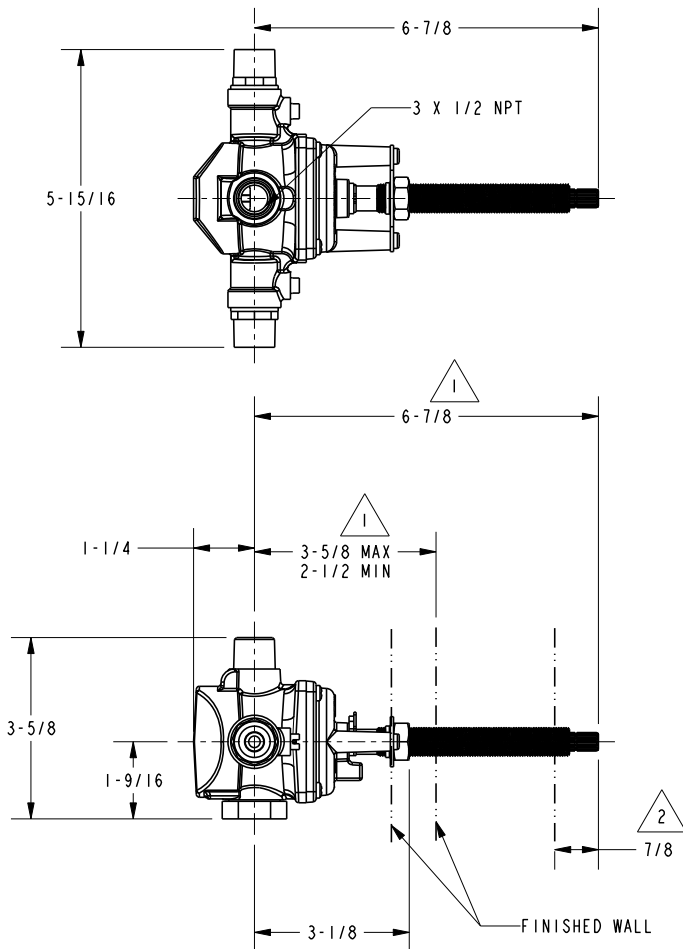
The single-control Tub or Shower Trim (less tub spout or showerhead, arm & flange) shall be made of solid brass construction. Tub or Shower Trim shall include faceplate with ADA compliant handle. Shower System Control Valve Trim(s) (Escutcheon/Handle) shall be ADA compliant when used with specified Shower System Control Valve. Tub or Shower Trim (less tub spout or showerhead, arm & flange) shall be Newport Brass Model 4-2444BP/\_\_\_\_ and single-control Tub or Shower rough valve shall be Newport Brass Model 1-594. Shower System Control Valve Trim (Escutcheon/Handle) shall be 3-378/\_\_\_\_ and Shower System Control Valve shall be 1-617.

# 4-2444BP

## Product Dimensions *(units are in inches)*

NOTE:

- 1. CUT STEM TO DIMENSION SHOWN
- 2. CUT ALL THREADS 3/4" SHORTER THAN STEM



**Sutton Tub or Shower Trim**  
 (less tub spout or showerhead, arm & flange)  
**4-2444BP**

**NEWPORT BRASS**  
 Flawless Beauty. From Faucet to Finish.™