

**Features**

- Solid brass construction
- Temperature-adjust handle for thermostatic valve
- ADA compliant traditional lever handle assembly options for control valve
- Intended for use with Newport Brass rough valve(s) as specified (Required Accessory)

**Codes / Standards Compliance**

Meets or exceeds the following at date of manufacture:

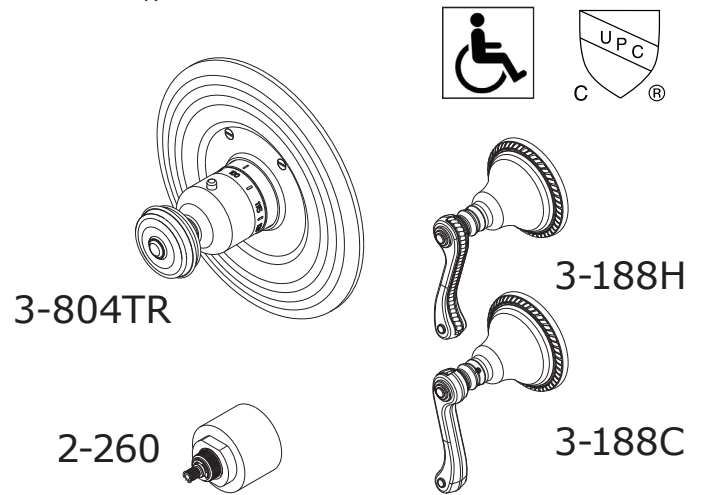
- ASME A112.18.1/CSA B125.1
- IAPMO/cUPC
- IPC
- ADA
- ICC/ANSI A117.1
- ASSE 1016
- All applicable US Federal and State material regulations

**Colors / Finishes**

- 15: Polished Nickel
- 15A: Antique Nickel
- 26: Polished Chrome
- 10B: Oil Rubbed Bronze
- Other: Other

**Thermostatic Shower System Trim**

**3-804TR**  
Also 2-260, 3-188C, 3-188H



**Specified Model**

| Model   | Description  | Colors / Finishes           |                              |                             |                              |                                |
|---------|--|-----------------------------|------------------------------|-----------------------------|------------------------------|--------------------------------|
| 3-804TR | Thermostatic Shower System Trim                              | <input type="checkbox"/> 15 | <input type="checkbox"/> 15A | <input type="checkbox"/> 26 | <input type="checkbox"/> 10B | <input type="checkbox"/> Other |
| 2-260   | Optional Extension for Thermostatic Shower System Valve Trim | <input type="checkbox"/> 15 | <input type="checkbox"/> 15A | <input type="checkbox"/> 26 | <input type="checkbox"/> 10B | <input type="checkbox"/> Other |
| 3-188C  | Shower System Control Valve Trim (Escutcheon/Handle, Cold)   | <input type="checkbox"/> 15 | <input type="checkbox"/> 15A | <input type="checkbox"/> 26 | <input type="checkbox"/> 10B | <input type="checkbox"/> Other |
| 3-188H  | Shower System Control Valve Trim (Handle/Escutcheon, Hot)    | <input type="checkbox"/> 15 | <input type="checkbox"/> 15A | <input type="checkbox"/> 26 | <input type="checkbox"/> 10B | <input type="checkbox"/> Other |

**Required Accessory:**

| Application       | Shower System Valve            | Shower System Control Valves    |                                 |                                 |                                 |                             |
|-------------------|--------------------------------|---------------------------------|---------------------------------|---------------------------------|---------------------------------|-----------------------------|
|                   |                                | Flow Control (CCW Off)          |                                 | Flow Control (CW Off)           |                                 |                             |
| Description       | Thermostatic                   | Flow Control (CCW Off)          | Flow Control (CW Off)           | Flow Control (CW Off)           | Flow Control (CW Off)           | Flow Control (CW Off)       |
| Inlet/Outlet Size | 3/4"                           | 1/2"                            | 3/4"                            | 1/2"                            | 3/4"                            | 3/4" (20pt spline)          |
| Part Number       | <input type="checkbox"/> 1-540 | <input type="checkbox"/> 1-606c | <input type="checkbox"/> 1-607c | <input type="checkbox"/> 1-606h | <input type="checkbox"/> 1-607h | <input type="checkbox"/> NA |
| Image             |                                |                                 |                                 |                                 |                                 |                             |

Note: The use of one 1-606H/C or 1-607H/C flow control valve and one 1-617 diverter valve can be configured to meet the requirements of CALGreen Bldg. Code (2010).

**Product Specification:**

Add "Color / Finish" suffix to Trim model numbers, below.

The Thermostatic Shower System Trim shall be made of solid brass construction. Thermostatic Shower System Trim shall include a faceplate and temperature-adjust handle. Shower System Control Valve Trim(s) (Escutcheon/Handle) shall be ADA compliant when used with specified Shower System Control Valve(s). Thermostatic Shower System Trim shall be Newport Brass Model 3-804TR/\_\_\_\_ and Thermostatic Shower System Valve shall be Newport Brass Model 1-540. Shower System Control Valve Trim(s) (Handle/Escutcheon) shall be 3-188\_\_\_\_/\_\_\_\_ (and 3-188\_\_\_\_/\_\_\_\_) and Shower System Control Valve(s) shall be 1-60\_\_\_\_ (and 1-60\_\_\_\_).

# 3-804TR

**Product Dimensions** *(units are in inches)*

