

Features

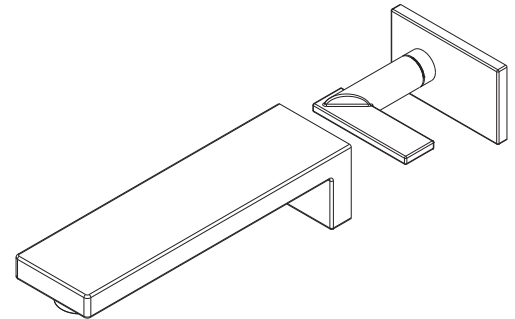
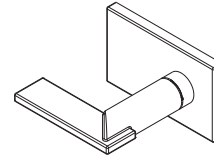
- Solid brass construction
- ADA compliant contemporary lever handles
- 9" (22.9 cm) spout length
- 3/4" NPT spout inlet fitting
- Intended for use with Newport Brass rough valve as specified (Required Accessory)
- Rough valve incorporates a brass valve body assembly
- Rough valve incorporates quarter-turn washerless ceramic disc valve cartridges

Codes / Standards Compliance

Meets or exceeds the following at date of manufacture:

- ASME A112.18.1/CSA B125.1
- IAPMO/cUPC
- IPC
- ADA
- ICC/ANSI A117.1
- All applicable US Federal and State material regulations

Wall-Mounted Tub Trim
3-2545



Colors / Finishes

- 15: Polished Nickel
- 15A: Antique Nickel
- 26: Polished Chrome
- 10B: Oil Rubbed Bronze

• Other: Refer to the Newport Brass catalog for additional color/finish options.

Specified Model

Model	Description	Colors / Finishes				
3-2545	Wall-Mounted Tub Trim	<input type="checkbox"/> 15	<input type="checkbox"/> 15A	<input type="checkbox"/> 26	<input type="checkbox"/> 10B	<input type="checkbox"/> Other

Required Accessory:

Both trim, above, and rough valve, below, must be specified.

Application	Tub Only Valve*	Wall Lavatory Valve	Tub Only Valve*	Wall Lavatory Valve
Description	2-Cartridge Assembly with 16pt Spline		2-Cartridge Assembly with 20pt Spline	
Inlet/Outlet Size	1/2"	1/2"	1/2"	1/2"
Part Number	<input type="checkbox"/> 1-500	<input type="checkbox"/> 1-532	<input type="checkbox"/> 1-564	<input type="checkbox"/> 1-560
Image				

* Plumbing code restrictions prohibit the use of the 1-564 for showers unless the 1-535 (Remote BP Valve) is installed upstream of the 1-564.

Product Specification:

The Wall-Mounted Tub Trim shall be made of solid brass construction. Wall-Mounted Tub Trim shall include ADA compliant lever handles and a 9" (22.9 cm) tub spout that incorporates a 3/4" NPT inlet fitting. Wall-Mounted Tub Trim shall be Newport Brass Model 3-2545/____ and Newport Brass rough valve shall be 1-564.

3-2545

Product Dimensions (units are in inches)

NOTES:

1. CUT STEM TO DIMENTION SHOWN.
2. CUT ALL-THREAD 11/16" SHORTER THAN STEM.
3. VALVE, PN: 1-564, SOLD SEPARATELY

