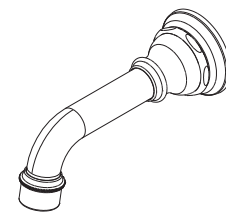


Wall-Mounted Tub Trim 3-1765

Features

- Solid brass construction
- ADA compliant traditional cross handles
- 7-3/16" (20.8 cm) spout length
- 1/2" NPT spout inlet quick-connect fitting
- Intended for use with Newport Brass rough valve as specified (Required Accessory)
- Rough valve incorporates a brass valve body assembly
- Rough valve incorporates quarter-turn washerless ceramic disc valve cartridges



Codes / Standards Compliance

Meets or exceeds the following at date of manufacture:

- ASME A112.18.1/CSA B125.1
- IAPMO/cUPC
- IPC
- ADA
- ICC/ANSI A117.1
- All applicable US Federal and State material regulations

Colors / Finishes

- 15: Polished Nickel
- 15A: Antique Nickel
- 26: Polished Chrome
- 10B: Oil Rubbed Bronze
- Other: Refer to the Newport Brass catalog for additional color/finish options.

Specified Model

Model	Description	Colors / Finishes				
3-1765	Wall-Mounted Tub Trim	<input type="checkbox"/> 15	<input type="checkbox"/> 15A	<input type="checkbox"/> 26	<input type="checkbox"/> 10B	<input type="checkbox"/> Other

Required Accessory:

Both trim, above, and rough valve, below, must be specified.

Application	Tub Only Valve*	Wall Lavatory Valve	Tub Only Valve*	Wall Lavatory Valve
Description	2-Cartridge Assembly with 16pt Spline		2-Cartridge Assembly with 20pt Spline	
Inlet/Outlet Size	1/2"	1/2"	1/2"	1/2"
Part Number	<input type="checkbox"/> 1-500	<input type="checkbox"/> 1-532	<input type="checkbox"/> 1-564	<input type="checkbox"/> 1-560
Image				

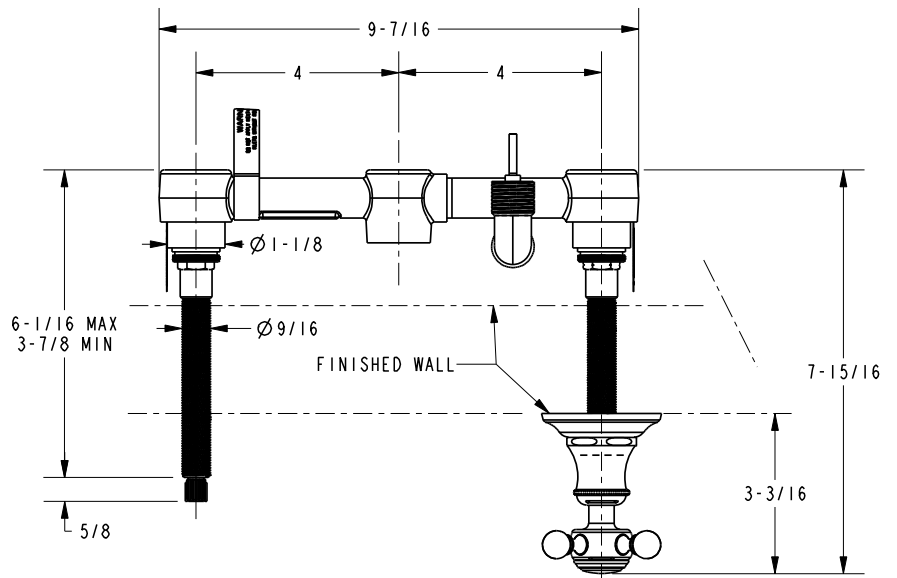
* Plumbing code restrictions prohibit the use of the 1-500 for showers unless the 1-535 (Remote BP Valve) is installed upstream of the 1-500.

Product Specification:

The Wall-Mounted Tub Trim shall be made of solid brass construction. Wall-Mounted Tub Trim shall include ADA compliant cross handles and a 7-3/16" (20.8 cm) tub spout that incorporates a 1/2" NPT inlet quick-connect fitting. Wall-Mounted Tub Trim shall be Newport Brass Model 3-1765/_____ and Newport Brass rough valve shall be 1-500.

3-1765

Product Dimensions (units are in inches)



NOTES:

- I. CUT STEM TO DIMENSION SHOWN.
CUT ALL-THREAD 5/8" SHORTER THAN STEM.

