

ALEXANDRIA

Roman Tub with Handshower Deck Trim

3-1097



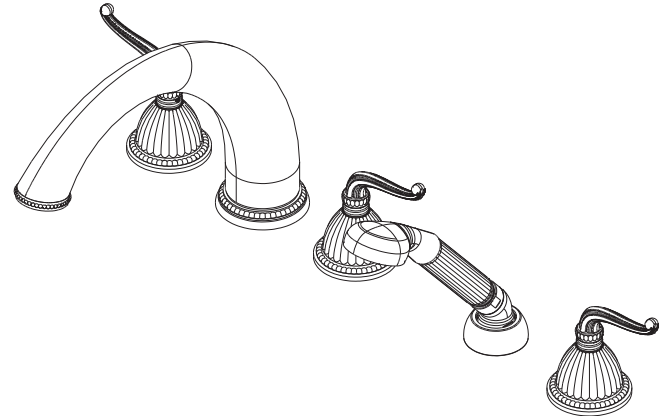
Features

- Solid brass construction
- ADA compliant traditional lever handles
- 4-7/8" (12.4 cm) spout height at outlet
- 9-7/16" (24.0 cm) spout reach (c-c)
- Intended for use with Newport Brass rough valve kit (Required Accessory) which incorporates the following:
 - Brass valve bodies and quick-connect spout fitting
 - Quarter-turn washerless ceramic disc 3/4" valve cartridges
 - Diverter valve and hoses as needed for handshower

Codes / Standards Compliance

Meets or exceeds the following at date of manufacture:

- ASME A112.18.1/CSA B125.1
- IAPMO/cUPC
- IPC
- ADA
- ICC/ANSI A117.1
- All applicable US Federal and State material regulations



Colors / Finishes

- 15: Polished Nickel
- 15A: Antique Nickel
- 26: Polished Chrome
- 10B: Oil Rubbed Bronze
- Other: Refer to the Newport Brass catalog for additional color/finish options.

Specified Model

| Model | Description | Colors / Finishes |
|--------|-------------------------------------|--|
| 3-1097 | Roman Tub with Handshower Deck Trim | <input type="checkbox"/> 15 <input type="checkbox"/> 15A <input type="checkbox"/> 26 <input type="checkbox"/> 10B <input type="checkbox"/> Other |

Required Accessory:

Trim, above, and Rough Valve Kit, below, must both be specified.

| Application | Roman Tub | | | Roman Tub with Handshower | | | | | |
|-------------------|--------------------------------|------------|-----------------------------|--------------------------------|------------|-----------------------------|-------------------|---------------------|---------------------|
| | Hot Valve | Cold Valve | Spout Quick-Connect Fitting | Hot Valve | Cold Valve | Spout Quick-Connect Fitting | Poly-Braided Hose | Handshower Diverter | H/S Flange Hardware |
| Inlet/Outlet Size | 3/4" | 3/4" | 3/4" | 3/4" | 3/4" | 3/4" | 1/2" | 3/4" / 1/2" | - |
| Part Number | <input type="checkbox"/> 1-506 | | | <input type="checkbox"/> 1-507 | | | | | |
| Image | | | | | | | | | |

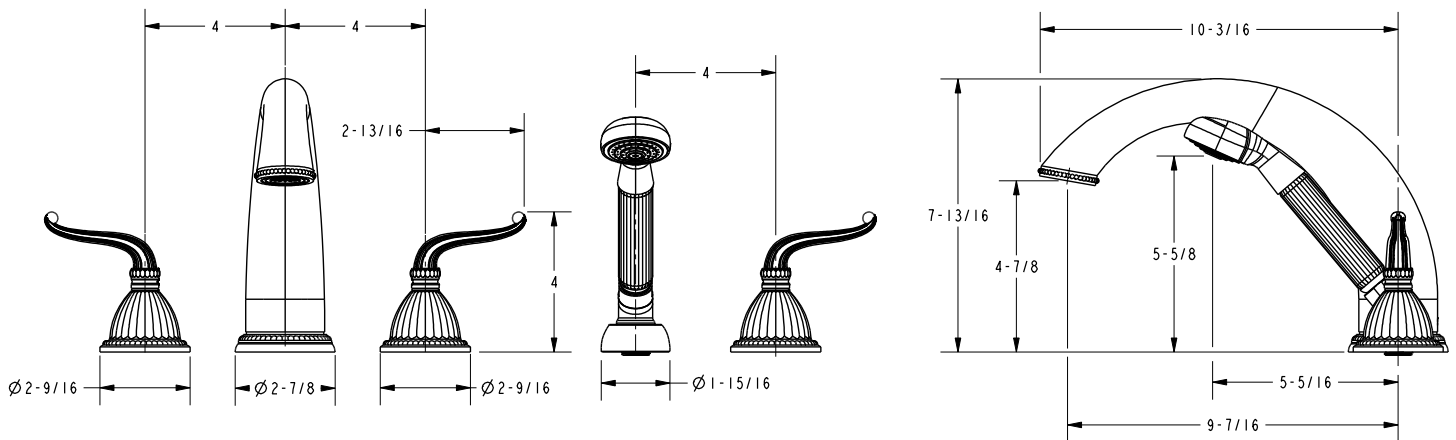
Product Specification:

Add "Color / Finish" suffix to Tub Deck Trim model number, below.

The Roman Tub with Handshower Deck Trim shall be made of solid brass construction. Roman Tub with Handshower Deck Trim shall incorporate ADA compliant traditional lever handles. Product shall incorporate a 4-7/8" (12.4 cm) spout height at outlet and a 9-7/16" (24.0 cm) spout reach (c-c). Rough valve kit shall incorporate brass valve bodies with quarter-turn washerless ceramic disc 3/4" valve cartridges, a quick-connect spout fitting and a diverter valve with hoses as needed for handshower. Roman Tub with Handshower Deck Trim shall be Newport Brass Model 3-1097/____ and Newport Brass rough valve kit shall be 1-507.

3-1097

Product Dimensions (units are in inches)



Alexandria Roman Tub with Handshower Deck Trim
3-1097

page 2 of 2 spec_3-1097

NEWPORT BRASS
Flawless Beauty. From Faucet to Finish.™

t: 949.417.5207 | www.newportbrass.com

©2011 Brasstech, Inc.