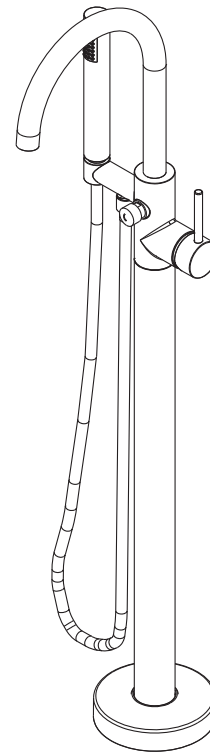


**Features**

- Brass construction
- Euro-motion ceramic disc 40 mm valve cartridge
- 6.5 gallons (24.6 liters) per minute spout maximum flow rate
- ADA compliant contemporary lever handle with pull-out diverter
- 3/4" braided hot and cold supply lines (with 1/2" adapters)
- 38" (96.5 cm) tub spout height at outlet
- 8-11/16" (22.1 cm) tub spout reach (center-center)
- Contemporary handshower design of resin construction
- 2.0 gallons (7.6 liters) per minute handshower maximum flow rate
- Floor mounting bracket with integral base and escutcheon

**Tub and Handshower Set**  
**2480-4261**



**Codes / Standards Compliance**

Meets or exceeds the following at date of manufacture:

- ASME A112.18.1/CSA B125.1
- IAPMO/cUPC
- IPC
- ADA
- ICC/ANSI A117.1
- CSA B64
- Energy Policy Act of 1992
- All applicable US Federal and State material regulations

**Colors / Finishes**

- 15: Polished Nickel
- 26: Polished Chrome

**Colors / Finishes**

**Specified Model**

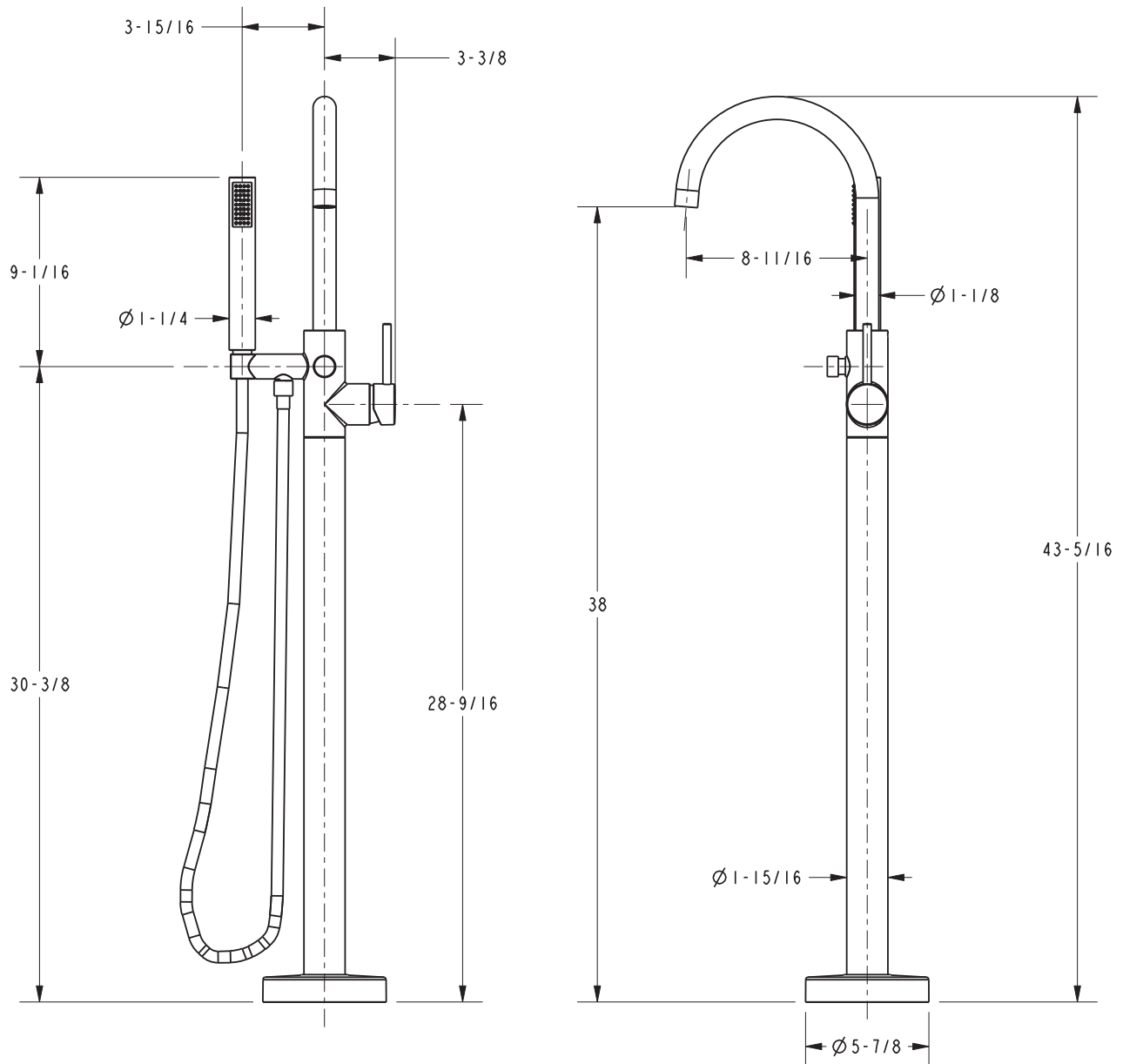
Model	Description	Colors   Finishes
2480-4261	Freestanding Exposed Tub and Handshower Set	<input type="checkbox"/> 15 <input type="checkbox"/> 26 <input type="checkbox"/> Other

**Product Specification:** Add "Color / Finish" suffix to Model number, below.

The Freestanding Exposed Tub and Handshower Set shall be made of brass construction (with resin handshower). Freestanding Exposed Tub and Handshower Set shall incorporate a Euro-motion ceramic disc 40 mm valve cartridge with ADA compliant contemporary lever handle and pull-out diverter. Product shall be designed for floor-mounted configurations. Product shall feature a plated resin handshower having a contemporary design and a 2.0 gallons (7.6 liters) per minute maximum flow rate. Product shall include 3/4" braided hot and cold supply lines (with 1/2" adapters) and a floor mounting bracket with integral base and escutcheon. Freestanding Exposed Tub and Handshower Set shall be Newport Brass Model 2480-4261/\_\_\_\_\_.

# 2480-4261

## PRODUCT DIMENSIONS *(Units are in inches)*



East Linear/Priya Tub and Handshower Set  
**2480-4261**

Page 2 of 2 2480-4261

**NEWPORT BRASS**  
Flawless Beauty. From Faucet to Finish.™

t: 949.417.5207 | [www.newportbrass.com](http://www.newportbrass.com)  
©2013 Brasstech, Inc.