

Single Handle Lavatory Faucet
1623

Features

- Solid brass construction
- Forged brass body with top-mounted handle
- Euro-motion ceramic disc 25 mm valve cartridge
- ADA compliant traditional lever handle
- Spout assembly with integral supply hoses
- Lift-and-turn drain with tailpiece
- 3-13/16" (9.7 cm) spout height at outlet
- 5-9/16" (14.1 cm) spout reach (c-c)
- For single hole configurations
- 1.5 gallons (5.7 liters) per minute maximum flow rate

Codes / Standards Compliance

Meets or exceeds the following at date of manufacture:

- ASME A112.18.1/CSA B125.1
- IAPMO/cUPC
- IPC
- NSF 61
- ADA
- ICC/ANSI A117.1
- Energy Policy Act of 1992
- All applicable US Federal and State material regulations
- EPA Watersense



Colors / Finishes

- 10B: Oil Rubbed Bronze
- 15: Polished Nickel
- 15A: Antique Nickel
- 26: Polished Chrome
- Other: Refer to the Newport Brass catalog for additional color/finish options.

Specified Model

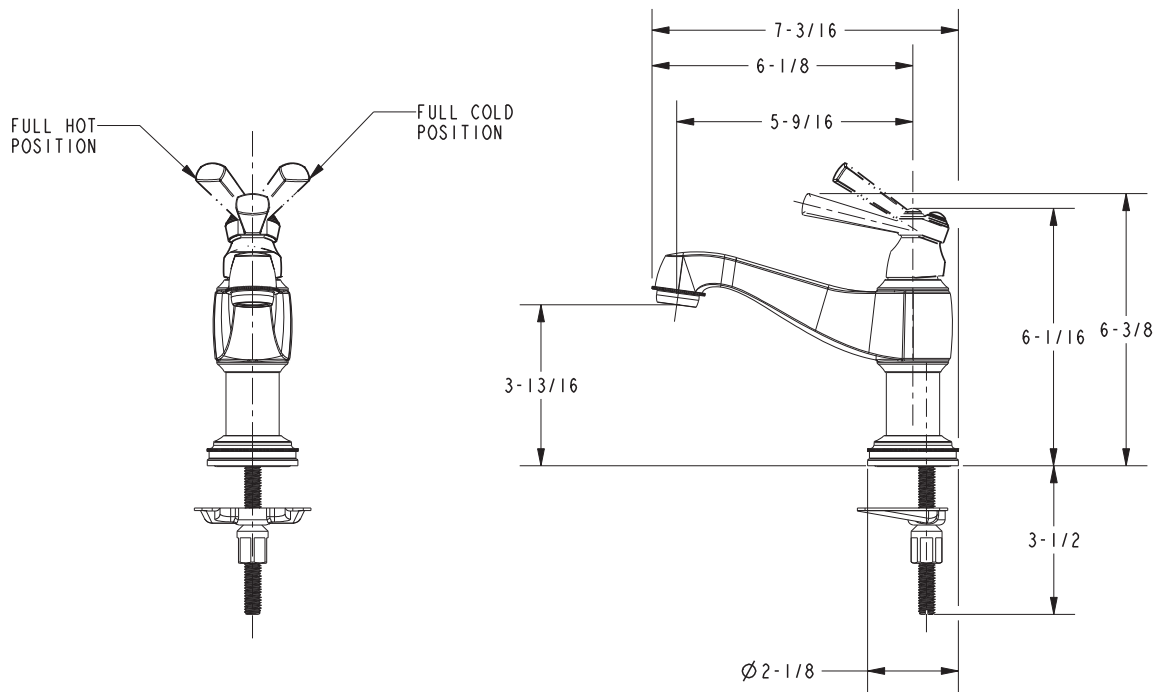
Model	Description	Colors Finishes
1623	Single Handle Lavatory Faucet	<input type="checkbox"/> 10B <input type="checkbox"/> 15 <input type="checkbox"/> 15A <input type="checkbox"/> 26 <input type="checkbox"/> Other

Product Specification Add "Color / Finish" suffix to Model number, below.

The Single Handle Lavatory Faucet shall be made of solid brass construction. Faucet shall feature a forged brass body with top-mounted Euro-motion ceramic disc 25 mm valve cartridge. Faucet shall have a 1.5 gallon (5.7 liter) per minute maximum flow rate. Product shall accommodate single hole configurations. Product shall incorporate a 3-13/16" (9.7 cm) spout height at outlet and a 5-9/16" (14.1cm) spout reach (c-c). Faucet shall include a Lift-and-turn drain with tailpiece and incorporate ADA compliant traditional lever handle. Single Handle Lavatory Faucet shall be Newport Brass Model 1623/_____.

1623

PRODUCT DIMENSIONS *(Units are in inches)*



Miro Single Handle Lavatory Faucet 1623