

# NEWPORT BRASS

## VESPERA

### HOT WATER DISPENSER

# 2500-5613



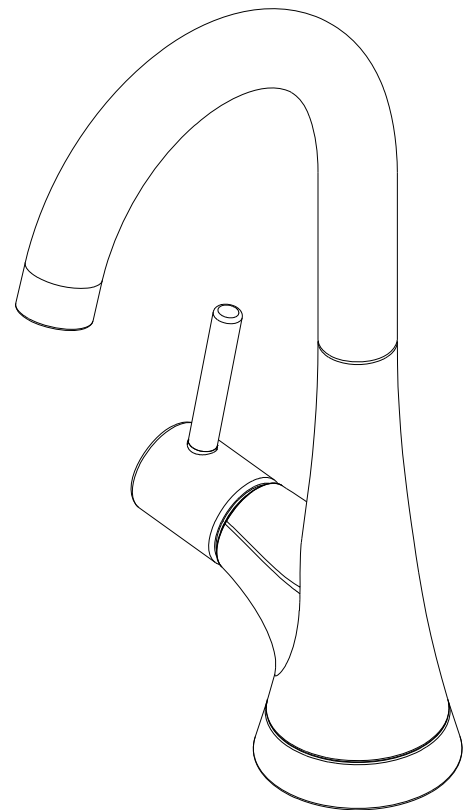
### Features

- Solid brass construction
- Quarter-turn washerless ceramic disc valve cartridges
- washerless ceramic disc valve cartridges
- Spring-loaded, normally closed hot side handle
- For single hole configurations
- 7.09" (18.0 cm) spout height at outlet
- 4.06" (10.3 cm) spout reach (c-c)
- 1.5 GPM (5.7 LPM) Max - Actual Flow rate can vary depending on installation specific factors including in-line water pressure and water filtration system

### Codes / Standards Compliance

Meets or exceeds the following at date of manufacture:

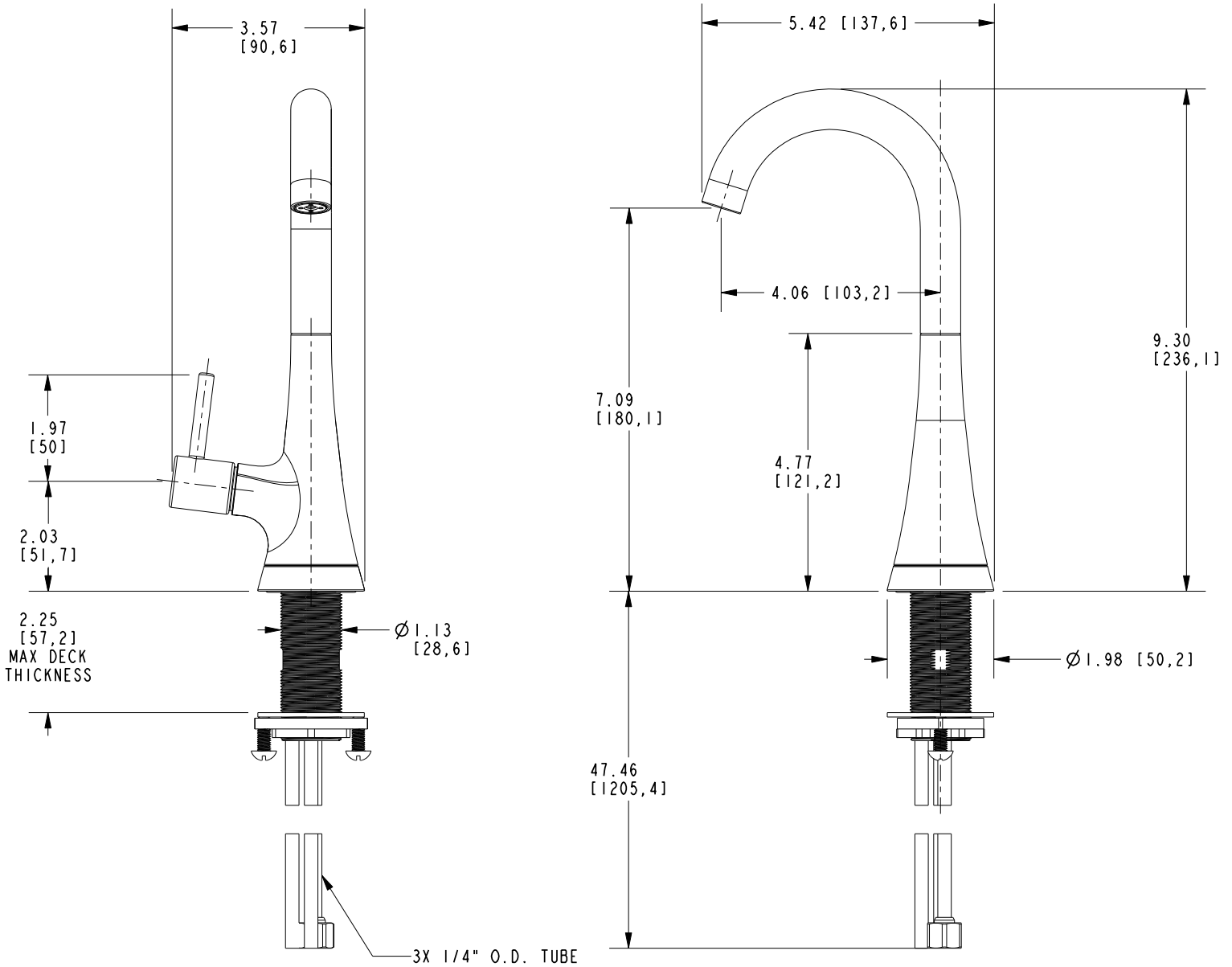
- ASME A112.18.1/CSA B125.1
- IAPMO/cUPC
- NSF/ANSI 61, SECTION 9
- NSF/ANSI 372
- IPC
- Energy Policy Act of 1992
- California Energy Commission
- All applicable US Federal and State material regulations



# NEWPORT BRASS

## PRODUCT DIMENSIONS *(Units are in inches)*

Product Dimensions are provided for reference only. For specific product installation guidelines, please reference the Installation Instructions of the product being installed.



**HOT WATER DISPENSER**

**2500-5613**