

## CHESTERFIELD

### Features

### TWO-HANDLE BRIDGE FAUCET WITH PULL-DOWN

Solid brass construction  
Brass valve bodies  
Quarter-turn washerless ceramic disc valve cartridges  
Swivel spout assembly with two-function, toggle-control spray engine  
Magnetic docking system secures spray engine to spout  
8.28" (21.0 cm) spout height at outlet  
8.58" (21.8 cm) spout reach (c-c)  
For 8" (20.3 cm) centers  
ADA Compliant (Handles Only)  
1.8 GPM (6.8 LPM) Max

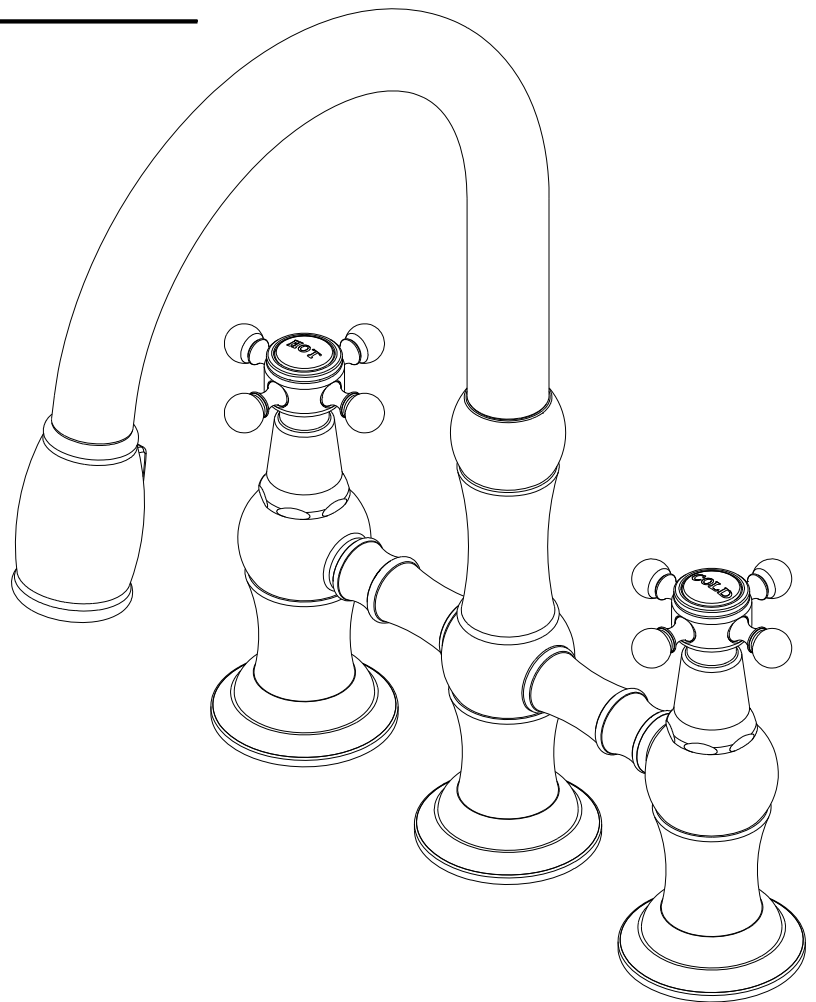
# 1030-5462



### Codes / Standards Compliance

Meets or exceeds the following at date of manufacture:

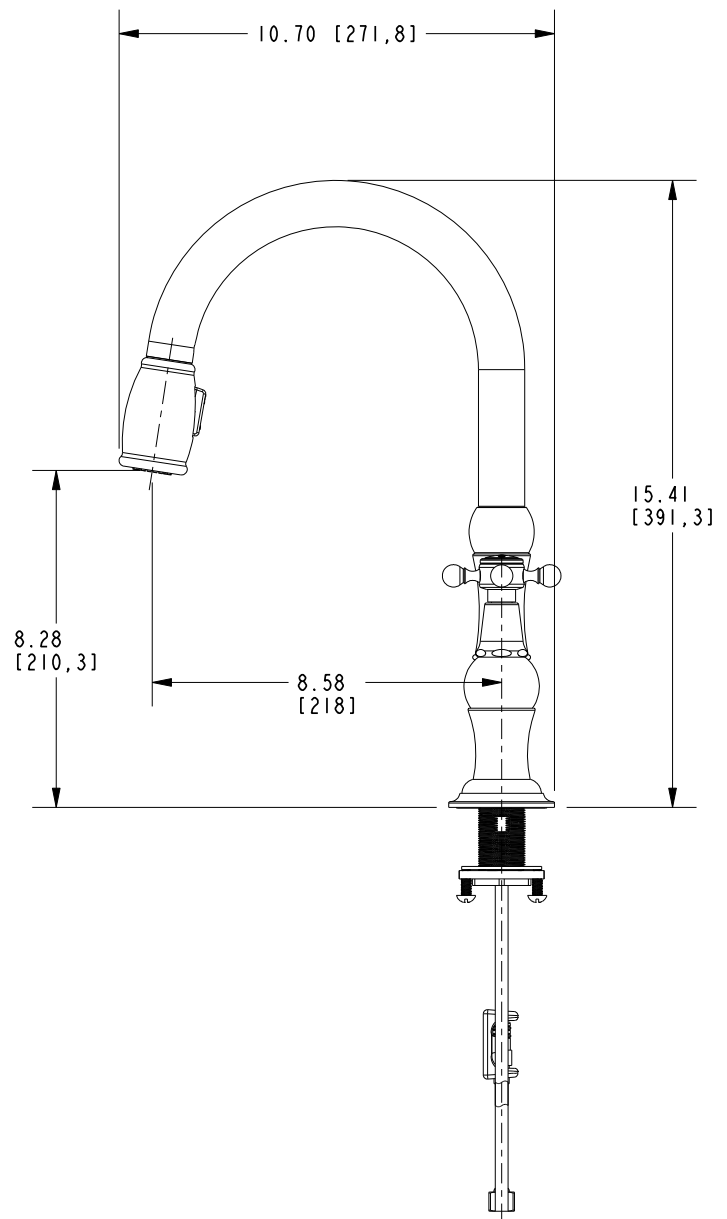
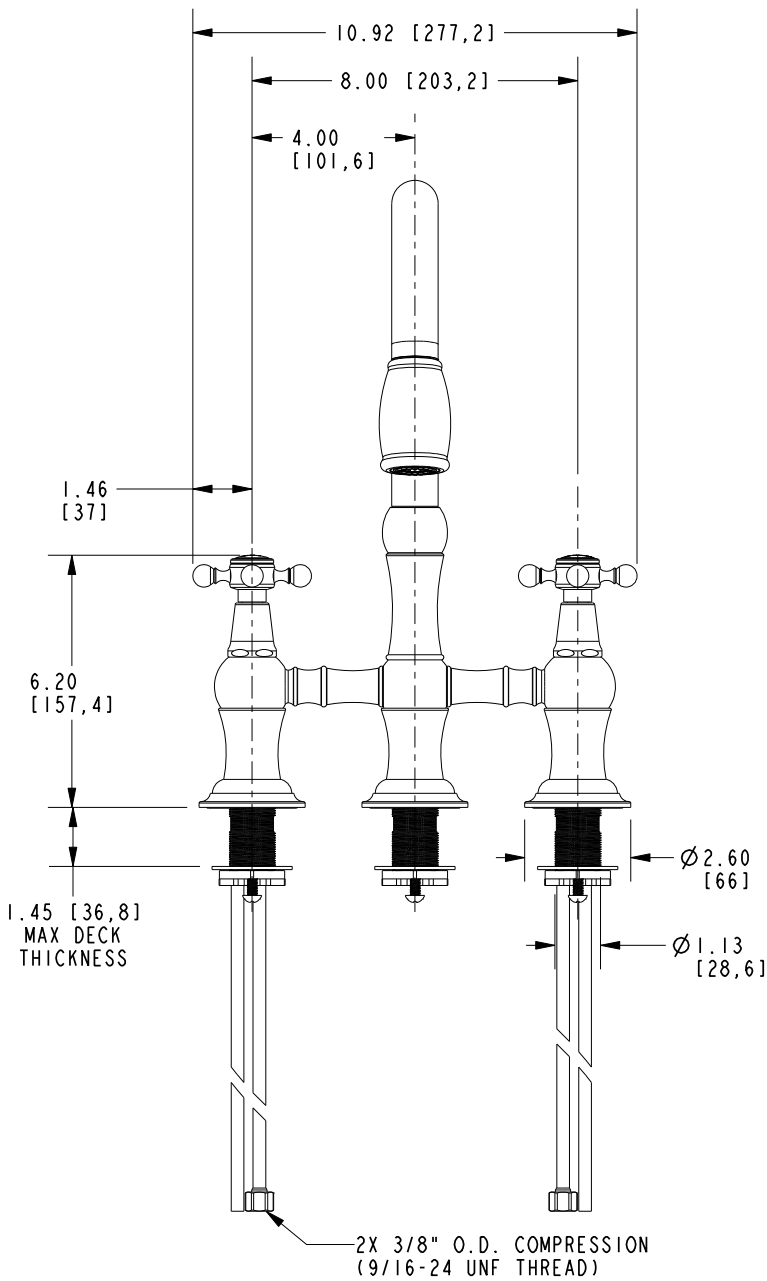
ASME A112.18.1/CAS B125.1  
IAPMO/cUPC  
NSF/ANSI/CAN 61, SECTION 9  
NSF/ANSI 372  
IPC  
ADA & ICC/ANSI A117.1 (Handle Only)  
Energy Policy Act of 1992  
ASME A112.18.3 (Back Flow)  
All applicable US Federal and State material regulations



# 1030-5462

## PRODUCT DIMENSIONS (Units are in inches)

Product Dimensions are provided for reference only. For specific product installation guidelines, please reference the Installation Instructions of the product being installed.



TWO-HANDLE BRIDGE FAUCET WITH PULL-DOWN

1030-5462

Page 2 of 2  
EN- 5002  
REV D

**NEWPORT BRASS**  
Flawless Beauty. From Faucet to Finish.

t: 949.417.5207 | [www.newportbrass.com](http://www.newportbrass.com)  
©2025 NewportBrass