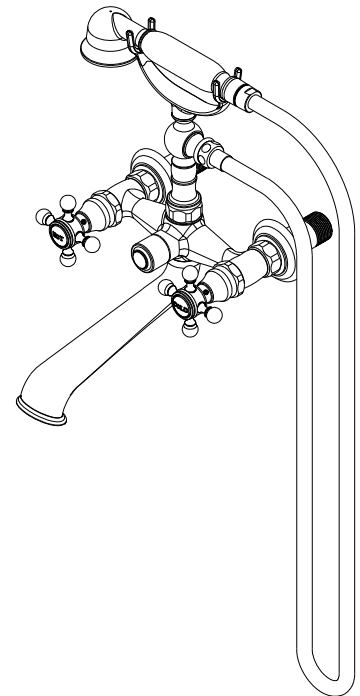


### Features

Solid brass construction  
 Quarter-turn washerless ceramic disc valve cartridges  
 3/4" NPT hot and cold inlet fittings  
 8.65" (22.0 cm) to 10.12" (25.7 cm) tub spout reach (wall-center)  
 2.08" (5.3 cm) handshower diameter  
 For wall mounted configurations, all is included  
 "For floor mounted configurations, select optional accessories, below"  
 ADA Compliant (Handles Only)  
 1.8 GPM (6.8 LPM) Max, Handshower Only

### TUB AND HANDSHOWER SET

# 920-4282



### Codes / Standards Compliance

Meets or exceeds the following at date of manufacture:

ASME A112.18.1/CSA B125.1  
 IAPMO/cUPC  
 IPC  
 ADA & ICC/ANSI A117.1 (Handle Only)  
 Energy Policy Act of 1992  
 EPA WaterSense  
 California Energy Commission  
 ASME A112.18.3 (Back Flow)  
 All applicable US Federal and State material regulations

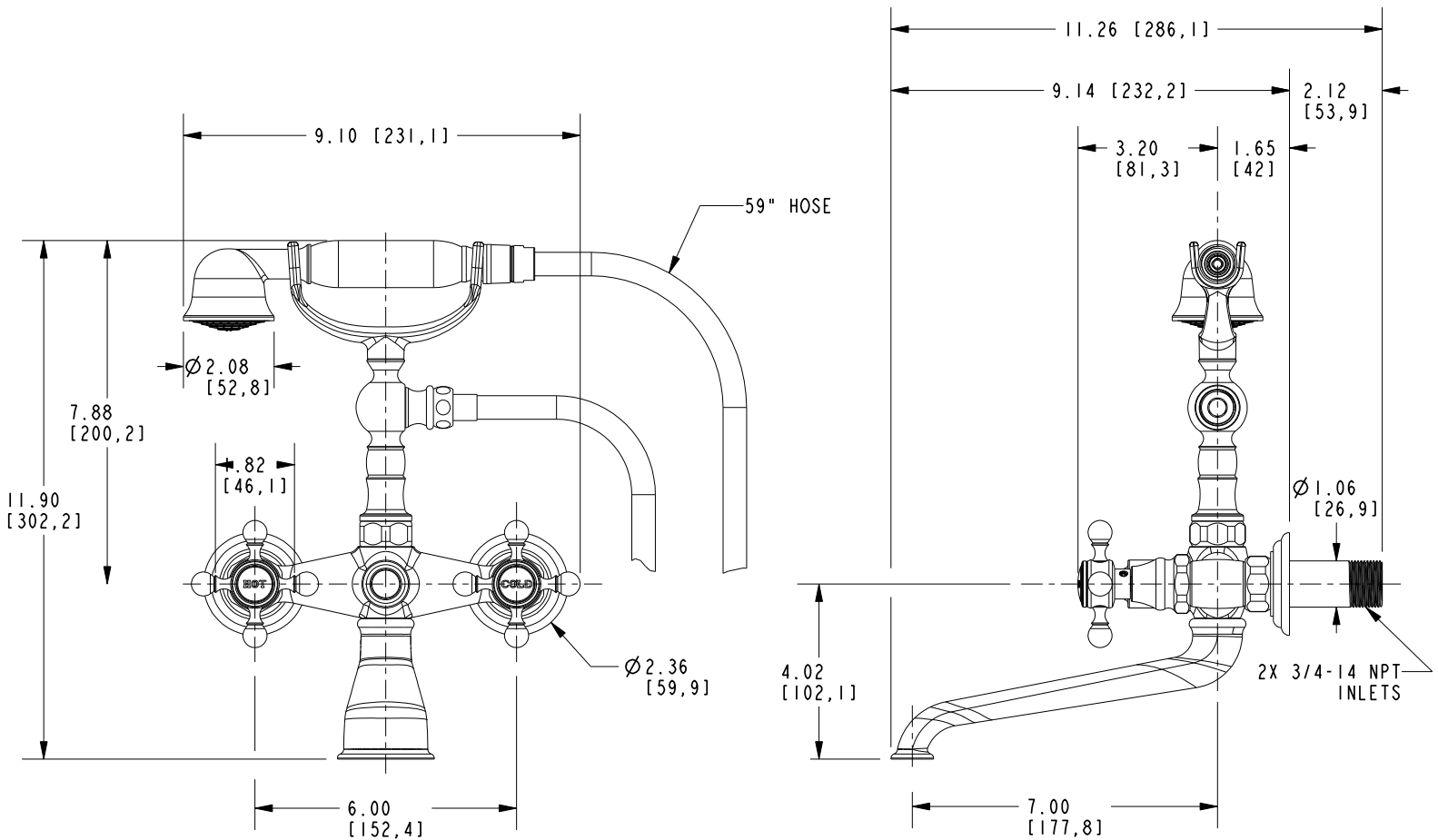
### Optional Accessory

System Element	31" Risers	24" Risers	Pair, Hot & Cold	Stabilizer
Description	Floor Mounting Kit	Floor Mounting Kit	Shut-off Valve Set	Tub Stabilizer Kit
Inlet/Outlet Size	3/4" / 3/4" NPT	3/4" / 3/4" NPT	3/4" / 3/4" NPT	-
Part Number	3-196	3-226	3-192	2-734
Image				

# 920-4282

## PRODUCT DIMENSIONS *(Units are in inches)*

Product Dimensions are provided for reference only. For specific product installation guidelines, please reference the Installation Instructions of the product being installed.



TUB AND HANDSHOWER SET

920-4282

Page 2 of 2

EN- 5011

REV E

**NEWPORT BRASS**  
Flawless Beauty. From Faucet to Finish.

t: 949.417.5207 | [www.newportbrass.com](http://www.newportbrass.com)  
©2025 NewportBrass