

# FAIRFIELD

## Tub or Shower Trim

(less tub spout or showerhead, arm or flange)

# 4-1004BP

Also 3-230, 230B

### Features

- Solid brass construction
- Face plate with ADA compliant traditional cross handle
- ADA compliant traditional cross handle assembly and insert options for control valve
- Intended for use with Newport Brass rough valve(s) as specified (Required Accessory)
- ADA Compliant

### Codes / Standards Compliance

Meets or exceeds the following at date of manufacture:

- ASME A112.18.1/CSA B125.1
- IAPMO/cUPC
- IPC
- ADA & ICC/ANSI A117.1
- All applicable US Federal and State material regulations

### Colors / Finishes

- 10B: Oil Rubbed Bronze
- 15: Polished Nickel
- 15S: Satin Nickel - PVD
- 26: Polished Chrome
- Other: Refer to the Newport Brass catalog for additional color/finish options.



4-1004BP



3-230



3-230B



### Specified Model

Model	Description	Colors   Finishes				
4-1004BP	Tub or Shower Trim (less tub spout or showerhead, arm or flange)	<input type="checkbox"/> 10B	<input type="checkbox"/> 15	<input type="checkbox"/> 15S	<input type="checkbox"/> 26	<input type="checkbox"/> Other
3-230	Shower System Control Valve Trim (Escutcheon/Handle, Arrow Insert)	<input type="checkbox"/> 10B	<input type="checkbox"/> 15	<input type="checkbox"/> 15S	<input type="checkbox"/> 26	<input type="checkbox"/> Other
3-230B	Shower System Control Valve Trim (Escutcheon/Handle, Arrow Insert)	<input type="checkbox"/> 10B	<input type="checkbox"/> 15	<input type="checkbox"/> 15S	<input type="checkbox"/> 26	<input type="checkbox"/> Other

### Required Accessory:

System Element	Shower (or Tub) Valve	Control Valve (Optional)
Description	BP Valve	3-Outlet Diverter
Inlet/Outlet Size	1/2"	1/2"
Part Number	<input type="checkbox"/> 1-684	<input type="checkbox"/> 1-703
Image		

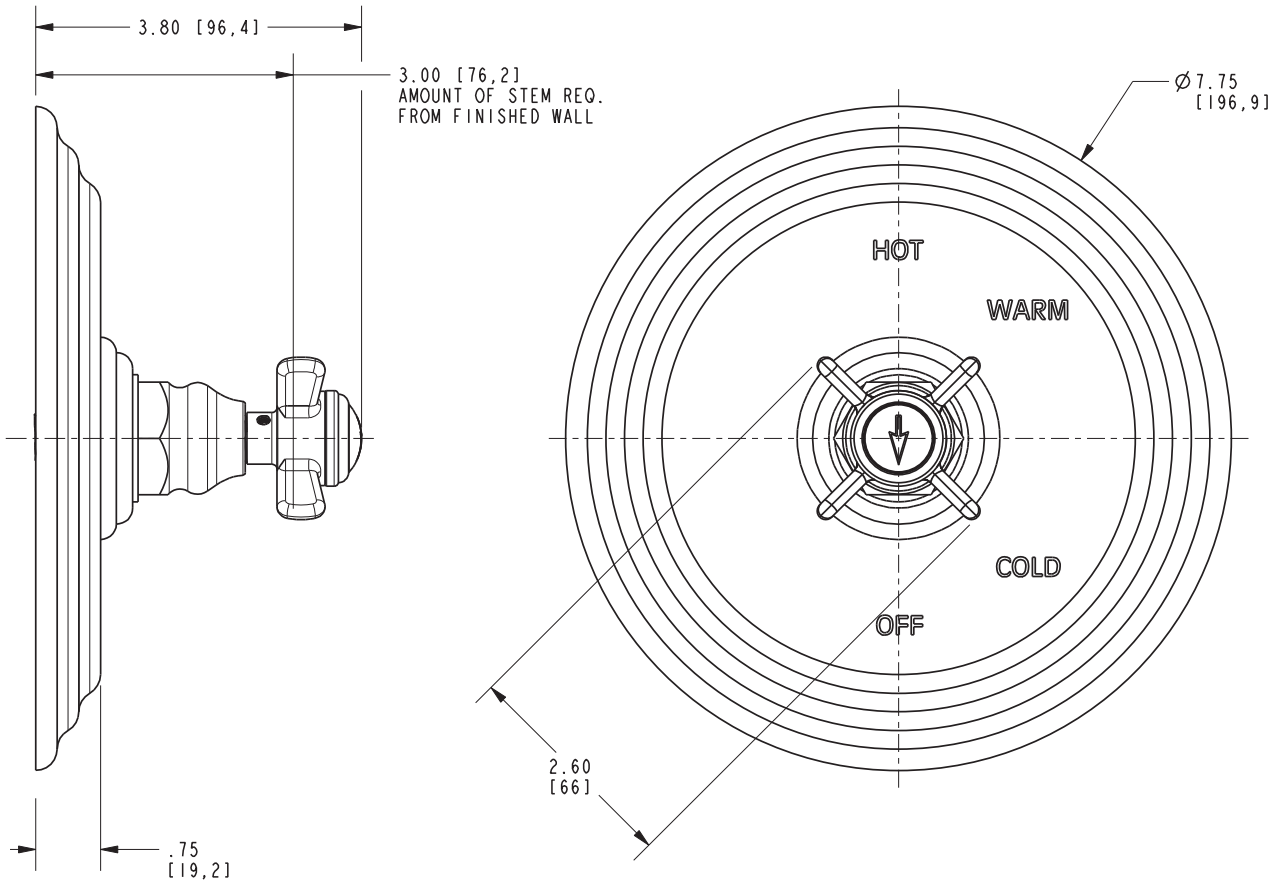
### Product Specification: Add size designator and "Color / Finish" suffix to Model number, below.

The single-control Tub or Shower Trim (less tub spout or showerhead, arm & flange) shall be made of solid brass construction. Tub or Shower Trim shall include faceplate with ADA compliant handle. Shower System Control Valve Trim(s) (Escutcheon/Handle) shall be ADA compliant when used with specified Shower System Control Valve. Tub or Shower Trim (less tub spout or showerhead, arm & flange) shall be Newport Brass Model 4-1004BP/\_\_\_\_ and single-control Tub or Shower rough valve shall be Newport Brass Model 1-684. [Optional Shower System Control Valve Trim (Escutcheon/Handle) shall be 3-230\_\_\_\_/\_\_\_\_ and Shower System Control Valve shall be 1-703].

# 4-1004BP

## PRODUCT DIMENSIONS *(Units are in inches)*

Product Dimensions are provided for reference only. For specific product installation guidelines, please reference the Installation Instructions of the product being installed.



### Fairfield Shower Trim 4-1004BP