

Features

ROMAN TUB WITH HANDSHOWER DECK TRIM

3-3327

Solid brass construction

6.50" (16.5 cm) spout height at outlet

8.25" (21.0 cm) spout reach (c-c)

Diverter valve and hoses as needed for handshower

ADA Compliant (Handles Only)

1.8 GPM (6.8 LPM) Max, Handshower Only

Intended for use with Newport Brass rough valve kit (Accessory Required) which incorporates the following:

- Brass valve bodies and quick-connect spout fitting
- Quarter-turn washerless ceramic disc 3/4" valve cartridges



Codes / Standards Compliance

Meets or exceeds the following at date of manufacture:

ASME A112.18.2/CAS B125.1

IAPMO/cUPC

IPC

ADA & ICC/ANSI A117.1 (Handle Only)

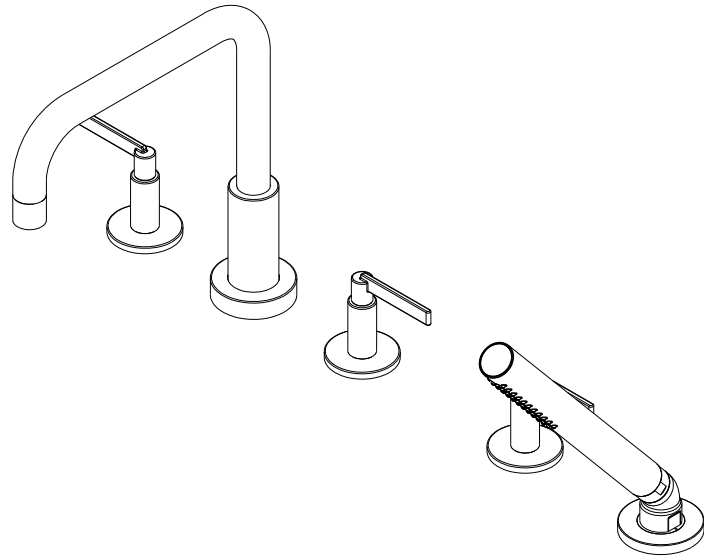
Energy Policy Act of 1992

EPA WaterSense

California Energy Commission

ASME A112.18.3 (Back Flow)

All applicable US Federal and State material regulations



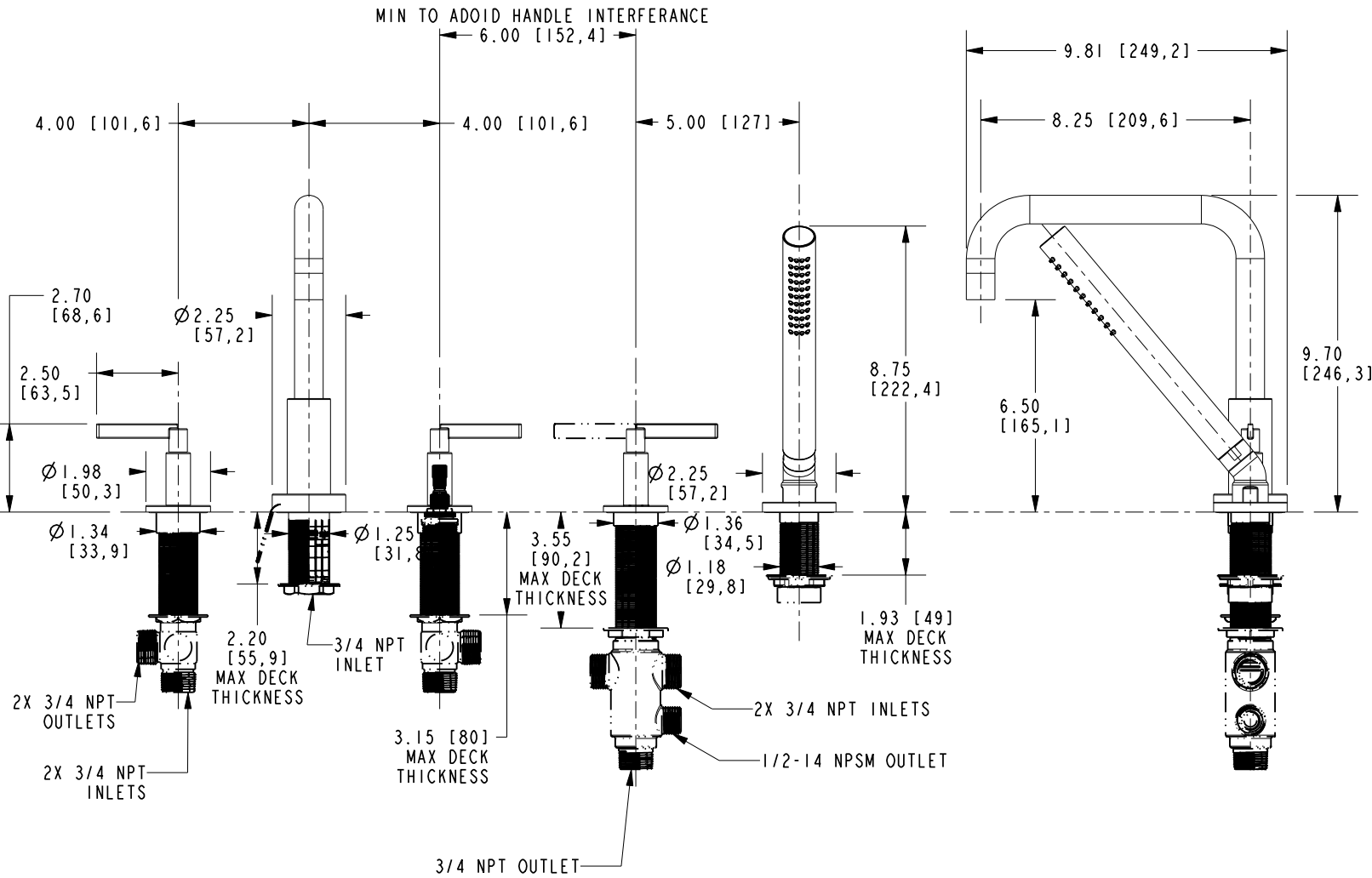
ACCESSORY REQUIRED

System Element	Deck Tub Valve
Description	3-Valve Assembly With Quick Connect Spout Adapter
Inlet/Outlet Size	3/4" / 3/4"
Part Number	1-698
Image	

3-3327

PRODUCT DIMENSIONS *(Units are in inches)*

Product Dimensions are provided for reference only. For specific product installation guidelines, please reference the Installation Instructions of the product being installed.



ROMAN TUB WITH HANDSHOWER DECK TRIM

3-3327

Page 2 of 2
EN- 5020
REV B

NEWPORT BRASS
Flawless Beauty. From Faucet to Finish.

t: 949.417.5207 | www.newportbrass.com
©2025 NewportBrass