

# NEWPORT BRASS

## NEWPORT BATH MULTIFUNCTION HAND SHOWER

# 281-1

### Features

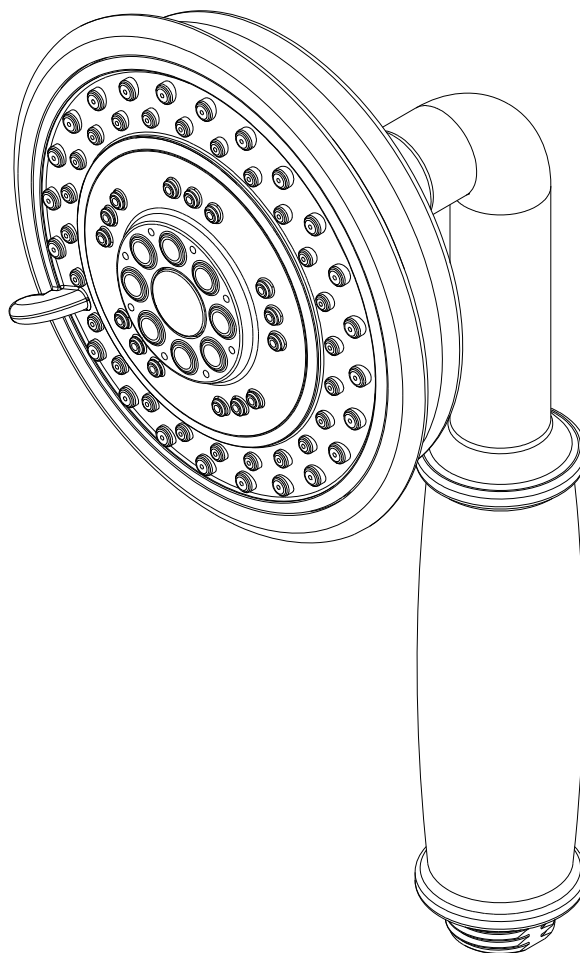
- Solid brass construction
- Traditional styling
- Multi-function engine with 3 spray modes
- Rubber nozzles facilitate easy cleaning
- 1/2" NPSM inlet fitting
- 4" (10.2 cm) showerhead diameter
- 1.8 GPM (6.8 LPM) Max



### Codes / Standards Compliance

Meets or exceeds the following at date of manufacture:

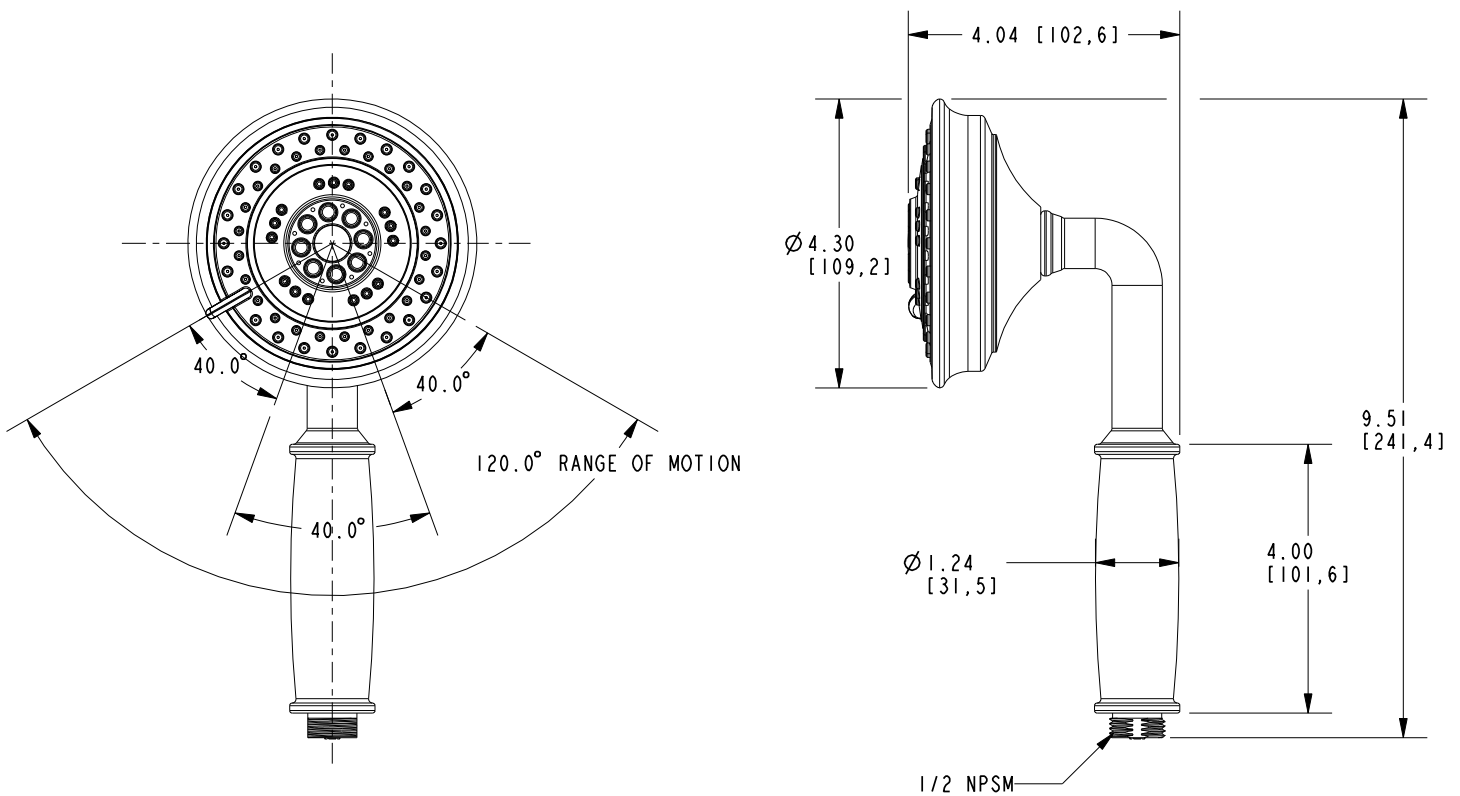
- ASME A112.18.1/CSA B125.1
- IAPMO/cUPC
- IPC
- Energy Policy Act of 1992
- EPA WaterSense
- California Energy Commission
- ASME A112.18.3 (Back Flow) - Double check valves at inlet
- All applicable US Federal and State material regulations



# NEWPORT BRASS

## PRODUCT DIMENSIONS *(Units are in inches)*

Product Dimensions are provided for reference only. For specific product installation guidelines, please reference the Installation Instructions of the product being installed.



## MULTIFUNCTION HAND SHOWER

# 281-1