

## NEWPORT BATH

### Features

Solid brass construction  
Traditional styling  
Single function spray  
Finished spray surface  
Ball and socket design having a range of 60 degrees  
1/2" NPSM inlet fitting  
1.87" (4.8 cm) Body Spray diameter  
1.8 GPM (6.8 LPM) Max

BODY SPRAY

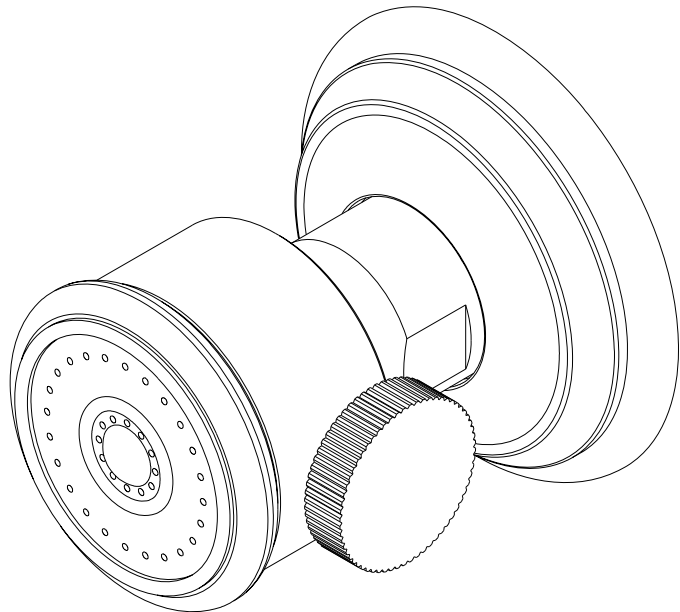
# 2171



### Codes / Standards Compliance

Meets or exceeds the following at date of manufacture:

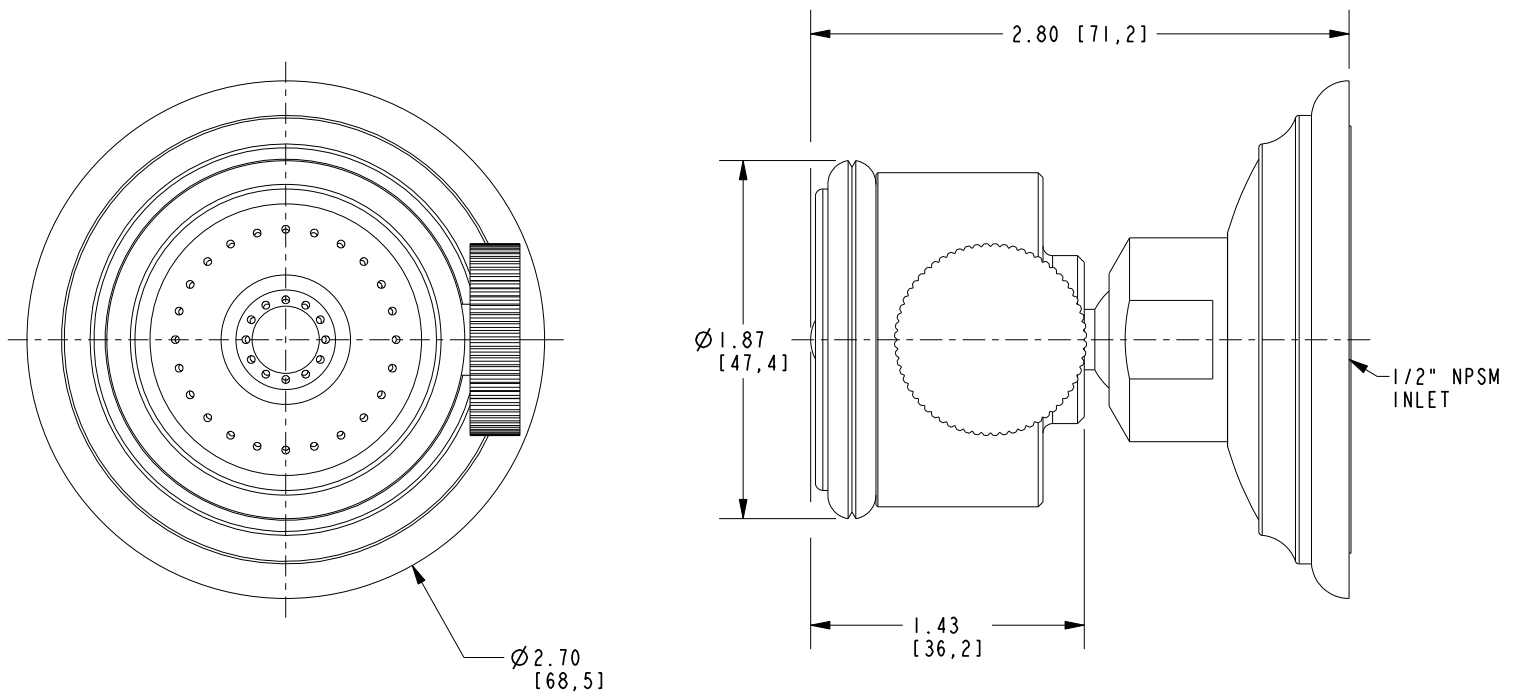
ASME A112.18.1/CSA B125.1-18  
IAPMO/cUPC  
IPC  
Energy Policy Act of 1992  
California Energy Commission  
All applicable US Federal and State material regulations  
Other: This product is NOT watersense certified



# 2171

## PRODUCT DIMENSIONS *(Units are in inches)*

Product Dimensions are provided for reference only. For specific product installation guidelines, please reference the Installation Instructions of the product being installed.



BODY SPRAY

2171

Page 2 of 2  
EN- 5012  
REV G

**NEWPORT BRASS**  
Flawless Beauty. From Faucet to Finish.

t: 949.417.5207 | [www.newportbrass.com](http://www.newportbrass.com)  
©2025 NewportBrass