

Features

- Solid brass construction
- Contemporary styling
- Multi-function engine with 3 spray modes
- 3 -Spray modes: Refresh, Regenerate and Revitalize
- Rubber nozzles facilitate easy cleaning
- 1/2" NPT inlet pivot ball fitting
- 5.91" (15.0 cm) showerhead diameter
- 1.8 GPM (6.8 LPM) Max

Showerhead

2143



Codes / Standards Compliance

Meets or exceeds the following at date of manufacture:

- ASME A112.18.1/CSA B125.1
- IAPMO/cUPC
- IPC
- Energy Policy Act of 1992
- EPA WaterSense
- California Energy Commission
- All applicable US Federal and State material regulations



Colors / Finishes

- 10B: Oil Rubbed Bronze
- 15: Polished Nickel
- 15S: Satin Nickel - PVD
- 26: Polished Chrome
- Other: Refer to the Newport Brass catalog for additional color/finish options.

Specified Model

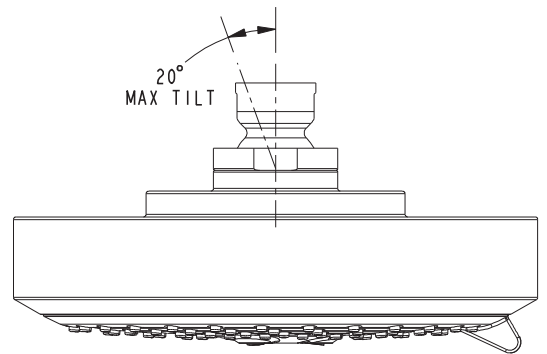
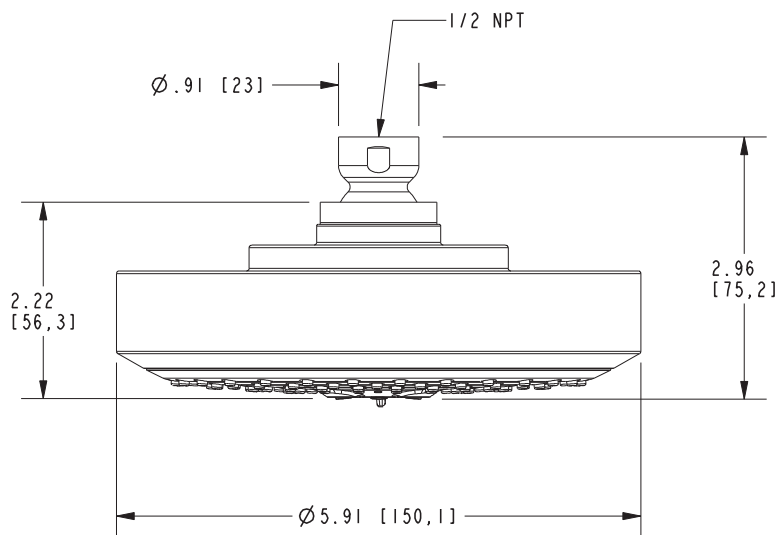
Model	Description	Colors Finishes				
2143	Showerhead	<input type="checkbox"/> 10B	<input type="checkbox"/> 15	<input type="checkbox"/> 15S	<input type="checkbox"/> 26	<input type="checkbox"/> Other

Product Specification Add "Color / Finish" suffix to Model number, below.

The Showerhead shall be of solid brass construction while incorporating a non-metallic showerhead engine. Showerhead shall have a multi-function shower engine with 3 spray modes incorporating rubber nozzles to facilitate easy cleaning. Showerhead shall have a 1/2" NPT inlet fitting and 5.91" (15.0 cm) showerhead diameter while operating at 1.8 gallons (6.8 liters) per minute maximum flow rate. Showerhead shall be Newport Brass Model 2143/____.

2143

PRODUCT DIMENSIONS *(Units are in inches)*



Newport Bath Showerhead 2143