

## VICTORIA

### TUB AND HANDSHOWER SET

# 1770-4273



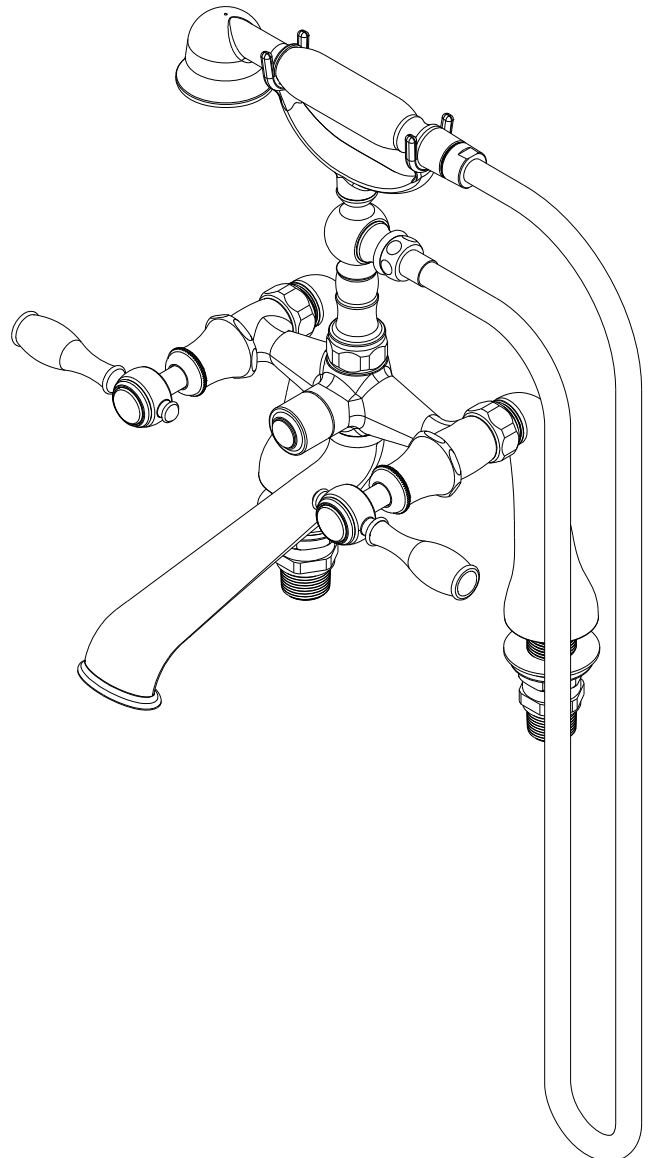
## Features

Solid brass construction  
Quarter-turn washerless ceramic disc valve cartridges  
3/4" NPT hot and cold inlet fittings  
9.11" (23.1 cm) tub spout reach from inlet fittings (c-c)  
2.08" (5.3 cm) handshower diameter  
For deck-mounted configurations  
ADA Compliant (Handles Only)  
1.8 GPM (6.8 LPM) Max, Handshower Only

## Codes / Standards Compliance

Meets or exceeds the following at date of manufacture:

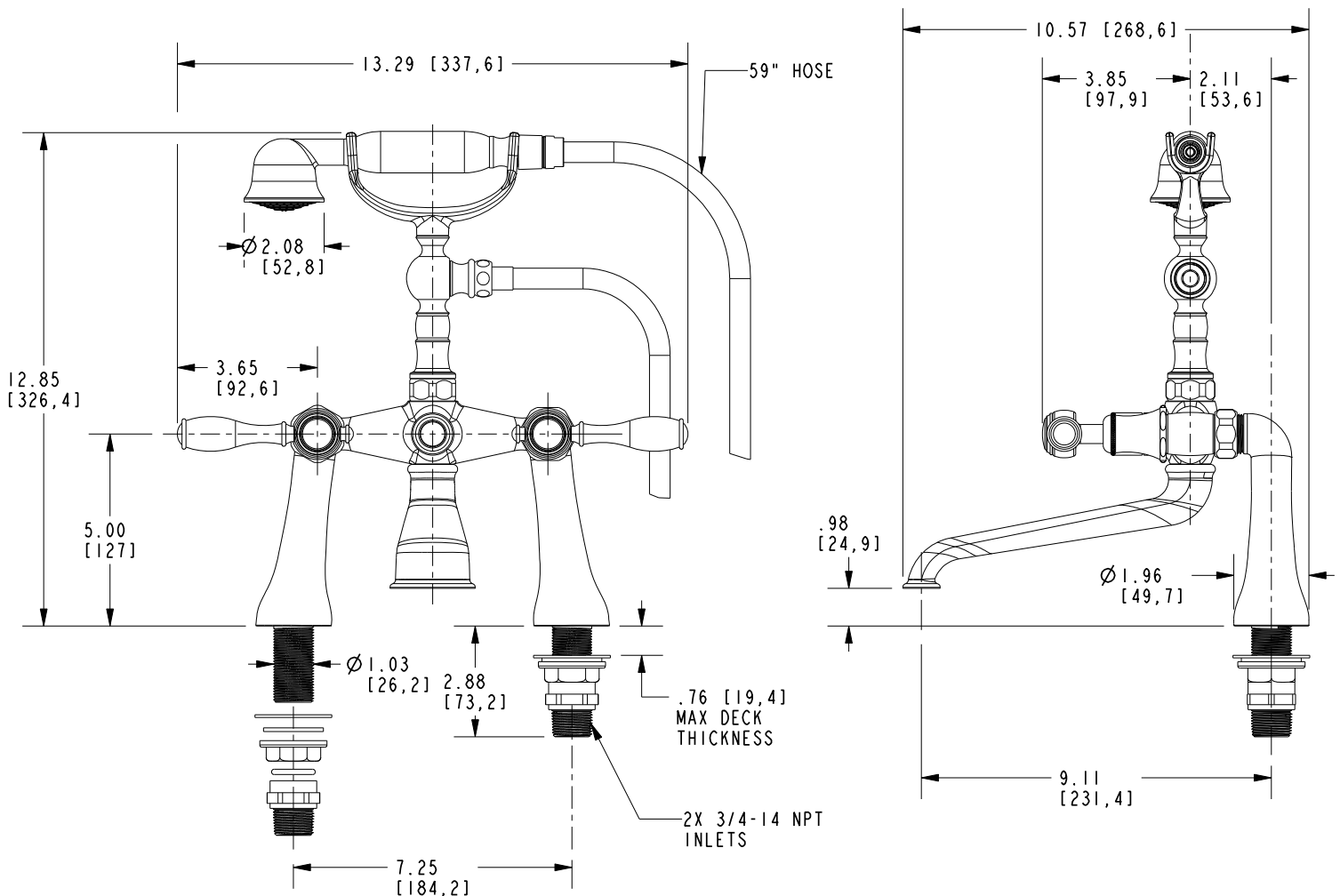
ASME A112.18.1/CSA B125.1  
IAPMO/cUPC  
IPC  
ADA & ICC/ANSI A117.1 (Handle Only)  
Energy Policy Act of 1992  
EPA WaterSense  
California Energy Commission  
ASME A112.18.3 (Back Flow)  
All applicable US Federal and State material regulations



# 1770-4273

## PRODUCT DIMENSIONS *(Units are in inches)*

Product Dimensions are provided for reference only. For specific product installation guidelines, please reference the Installation Instructions of the product being installed.



TUB AND HANDSHOWER SET

1770-4273

Page 2 of 2  
EN- 5011  
REV F

**NEWPORT BRASS**  
Flawless Beauty. From Faucet to Finish.

t: 949.417.5207 | [www.newportbrass.com](http://www.newportbrass.com)  
©2025 NewportBrass