

NEWPORT BATH

1/2" IN-WALL DIVERTER VALVE

Features

Solid brass construction
 3 function with off.
 Universal 1/2" NPT and direct sweat connections for installation flexibility.
 16-tooth stem.
 Recommended for use with 3/4" thermostatic valve (1-540).
 Requires Newport Brass Handle Trim (many options available, sold-separately).

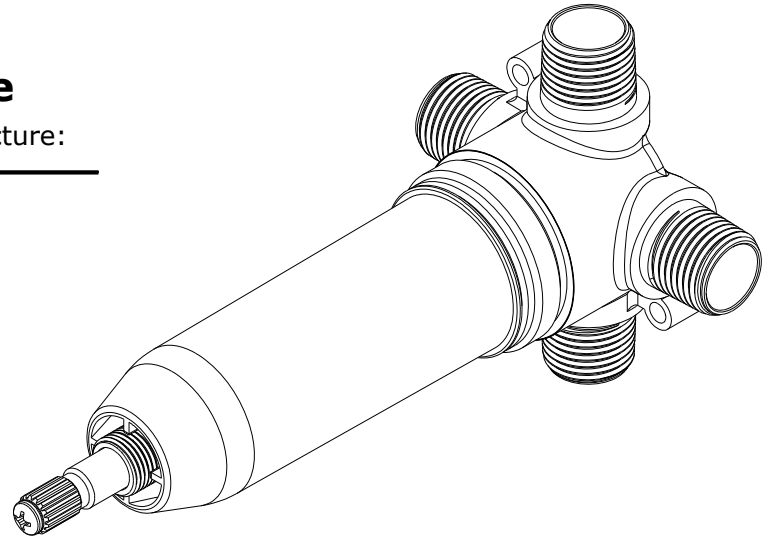
1-701



Codes / Standards Compliance

Meets or exceeds the following at date of manufacture:

ASME A112.18.1/CSA B125.1-18
 IAPMO/cUPC
 IPC
 California Energy Commission
 All applicable US Federal and State material regulations

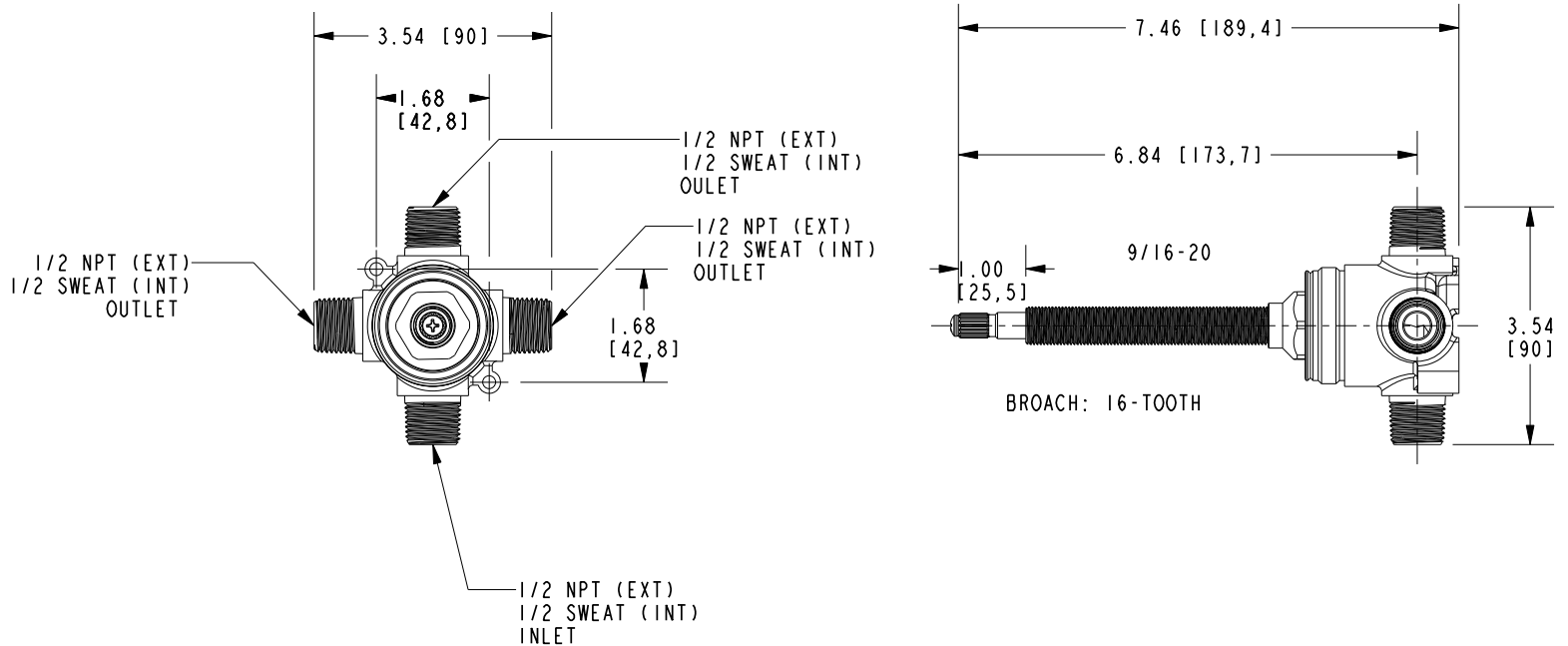


ACCESSORY OPTIONAL	
System Element	Stem Extension
Description	Stem Extension Kit
Part Number	1-384
Image	

1-701

PRODUCT DIMENSIONS *(Units are in inches)*

Product Dimensions are provided for reference only. For specific product installation guidelines, please reference the Installation Instructions of the product being installed.



1/2" IN-WALL DIVERTER VALVE

1-701

Page 2 of 2
EN- 5038
REVC

NEWPORT BRASS
Flawless Beauty. From Faucet to Finish.

t: 949.417.5207 | www.newportbrass.com
©2025 NewportBrass