

## NEWPORT BATH

### DIVERTER VALVE

# 1-617



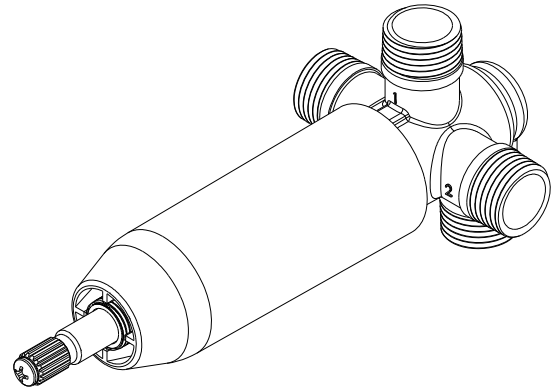
### Features

- Solid brass construction
- 2 or 3 way diverter configuration
- Universal 1/2" NPT and direct sweat connections for installation flexibility
- 20-tooth stem with 16-tooth adapter included
- Requires Newport Brass Handle Trim (many options available, sold-separately)

### Codes / Standards Compliance

Meets or exceeds the following at date of manufacture:

- ASME A112.18.1/CSA B125.1-18
- IAPMO/cUPC
- IPC
- All applicable US Federal and State material regulations

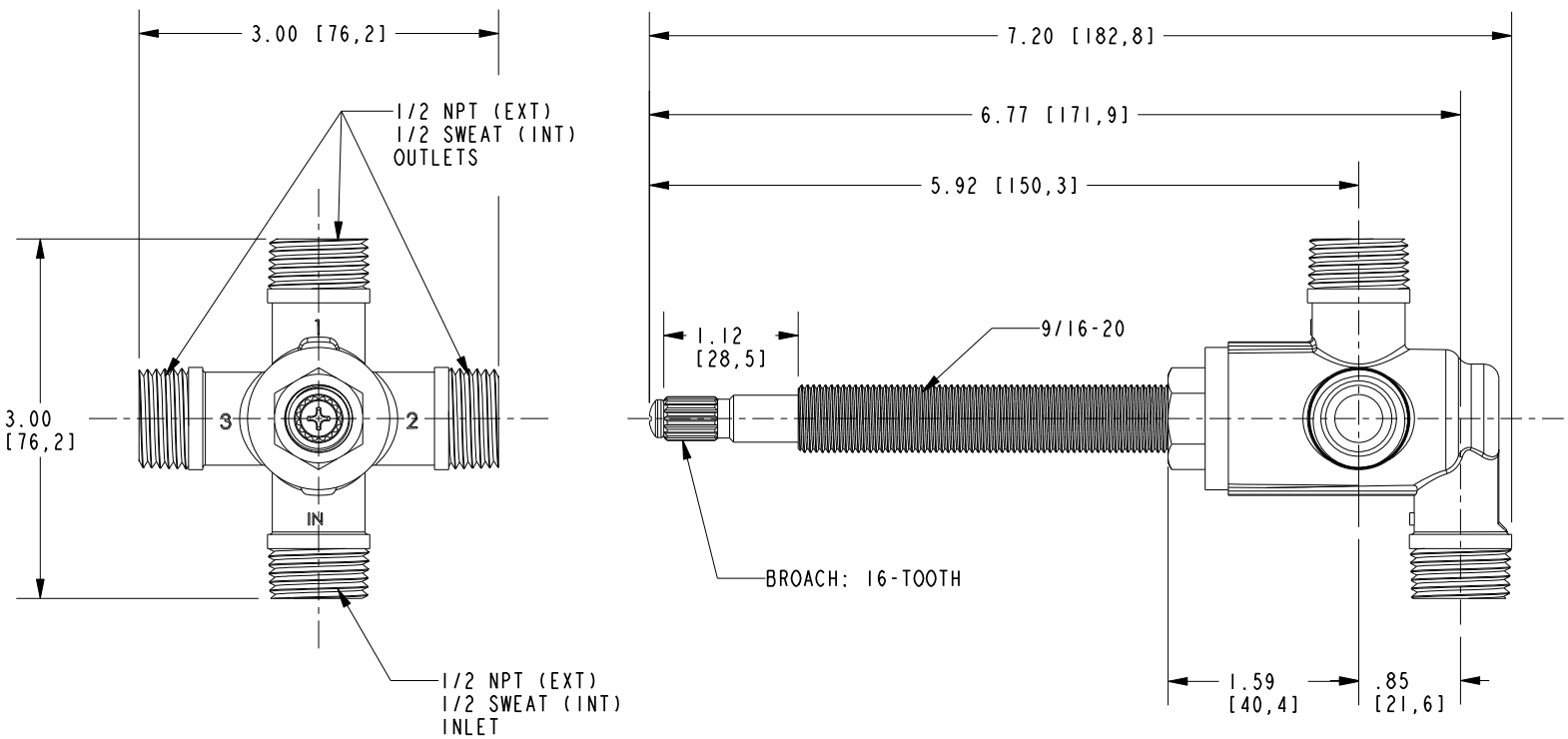


ACCESSORY OPTIONAL	
<b>System Element</b>	STEM EXTENSION
<b>Description</b>	STEM EXTENSION KIT
<b>Part Number</b>	1-384
<b>Image</b>	

# 1-617

## PRODUCT DIMENSIONS *(Units are in inches)*

Product Dimensions are provided for reference only. For specific product installation guidelines, please reference the Installation Instructions of the product being installed.



DIVERTER VALVE

1-617

Page 2 of 2  
EN- 5038  
REV H

**NEWPORT BRASS**  
Flawless Beauty. From Faucet to Finish.

t: 949.417.5207 | [www.newportbrass.com](http://www.newportbrass.com)  
©2025 NewportBrass