

NEWPORT BATH

Features

- Solid brass construction
- Counter clockwise flow on direction.
- Quarter-turn washerless ceramic valve cartridge.
- 1/2" NPT female thread (inlet and outlet) valve body
- Requires Newport Brass Handle Trim (many options available, sold-separately)

Flow Control Valve

1-606U



Codes / Standards Compliance

Meets or exceeds the following at date of manufacture:

- ASME A112.18.1/CSA B125.1
- IAPMO/cUPC
- IPC
- All applicable US Federal and State material regulations



Colors / Finishes

- 10B: Oil Rubbed Bronze
- 15: Polished Nickel
- 15S: Satin Nickel - PVD
- 26: Polished Chrome
- Other: Refer to the Newport Brass catalog for additional color/finish options.

Specified Model

Model	Description	Colors Finishes
1-606U	Flow Control Valve	<input type="checkbox"/> NA

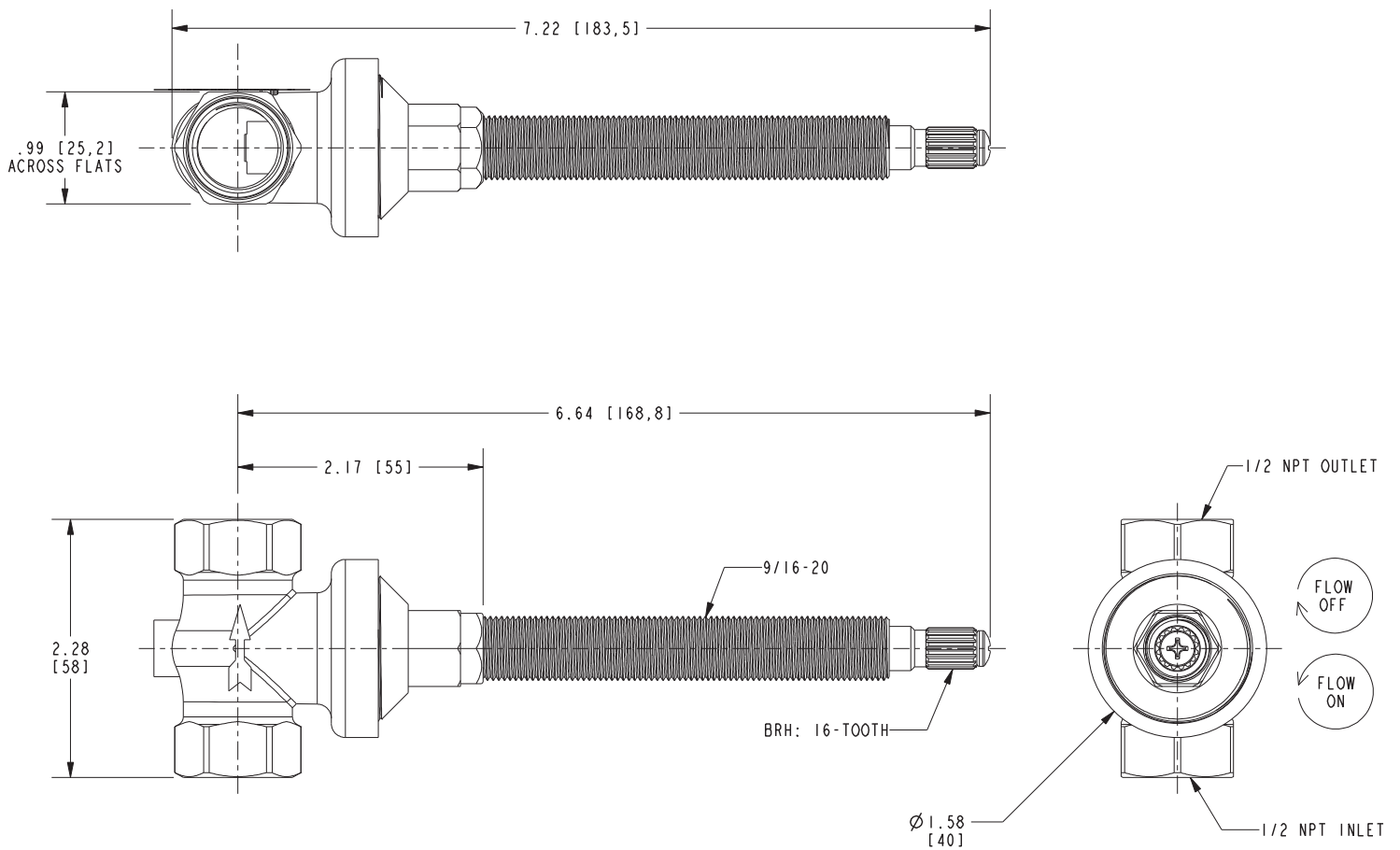
Product Specification:

Add "Color / Finish" suffix to Model number, below.

The Flow Control Valve for wall installations shall be made of solid brass construction. Valve body shall incorporate quarter-turn washerless ceramic disc valve cartridges. Valve body shall have 1/2" NPT female thread for inlet and outlet. The Flow Control Valve for wall installations shall be Newport Brass Model 1-606U.

1-606U

PRODUCT DIMENSIONS *(Units are in inches)*



Newport Flow Control Valve 1-606U