

NEWPORT BATH

THERMOSTATIC ROUGH VALVE

Features

Solid brass construction
Provides anti-scald protection and temperature regulation
Quarter-turn washerless ceramic disc 3/4" valve cartridges
Must use with separate stop/volume control
High-temperature safety stop ensures water temperature stays below maximum setpoint
Integral hot and cold inlet stops ensure easy cartridge access
3/4" NPT female thread (inlet and outlet) valve body
Single outlet configuration
Requires Newport Brass 3/4" Thermostatic Trim (sold-separately)

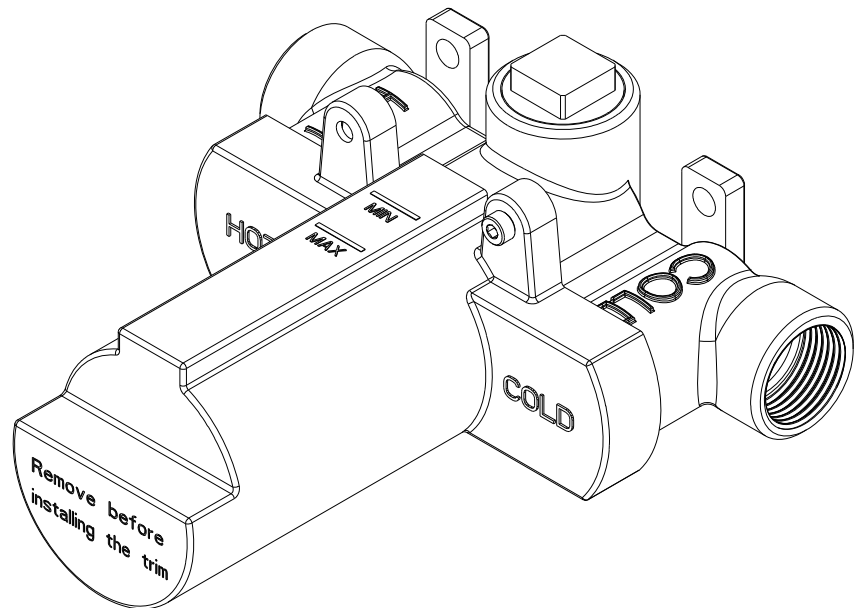
1-540



Codes / Standards Compliance

Meets or exceeds the following at date of manufacture:

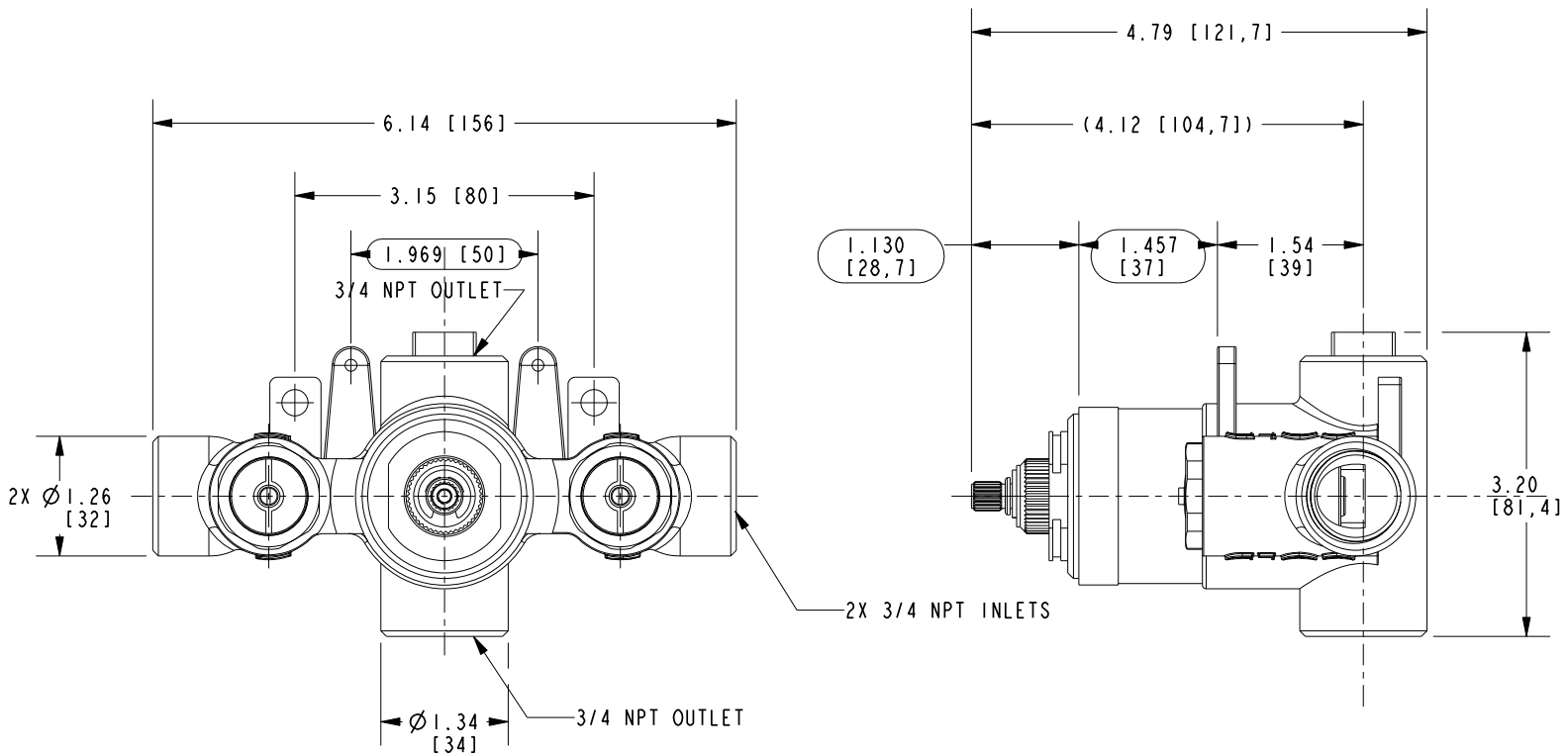
ASME A112.18.1/CSA B125.1-18
IAPMO/cUPC
IPC
ASSE 1016/ASME A112.1016
All applicable US Federal and State material regulations



1-540

PRODUCT DIMENSIONS *(Units are in inches)*

Product Dimensions are provided for reference only. For specific product installation guidelines, please reference the Installation Instructions of the product being installed.



THERMOSTATIC ROUGH VALVE

1-540

Page 2 of 2
EN- 5038
REV F

NEWPORT BRASS
Flawless Beauty. From Faucet to Finish.

t: 949.417.5207 | www.newportbrass.com
©2025 NewportBrass