

NEWPORT BATH

Features

Solid brass and stainless steel construction
O-ring retention system across 4" round inlet
4" Dome Strainer
2" IPS outlet
Compatible with most 2" IPS drain bodies

SHOWER DRAIN THROAT

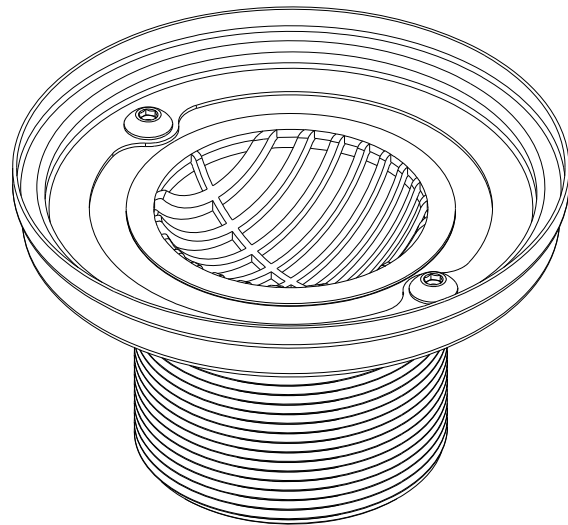
277-03



Codes / Standards Compliance

Meets or exceeds the following at date of manufacture:

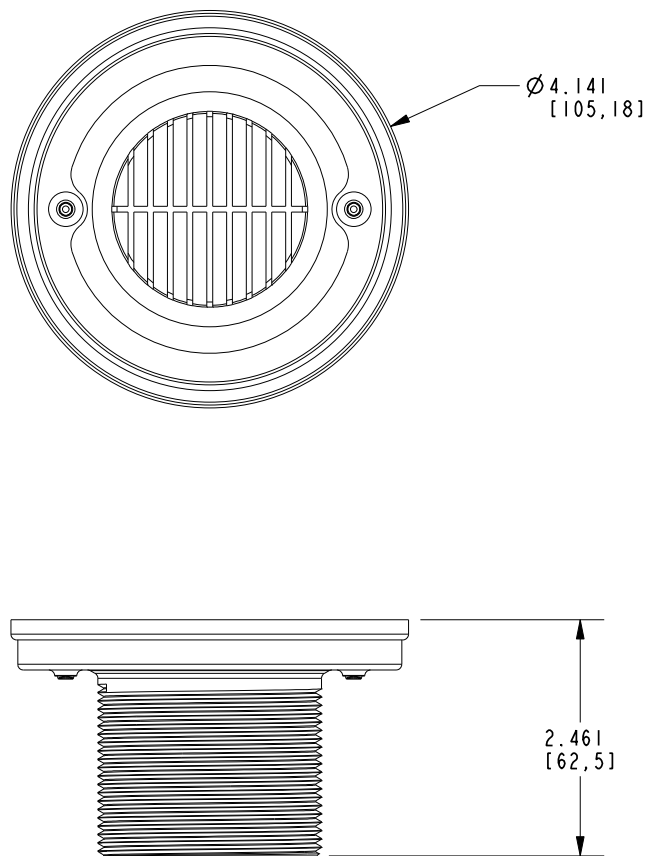
ASME A112.18.2-2011/CSA B125.2-11
IAPMO/cUPC
IPC
All applicable US Federal and State material regulations



277-03

PRODUCT DIMENSIONS *(Units are in inches)*

Product Dimensions are provided for reference only. For specific product installation guidelines, please reference the Installation Instructions of the product being installed.



SHOWER DRAIN THROAT

277-03

Page 2 of 2
EN- 4990
REV D

NEWPORT BRASS
Flawless Beauty. From Faucet to Finish.

t: 949.417.5207 | www.newportbrass.com
©2025 NewportBrass