

### Features

---

Solid brass construction  
Double-post design with spring-loaded, non-separating roller  
Complements Metro product series

TOILET TISSUE HOLDER

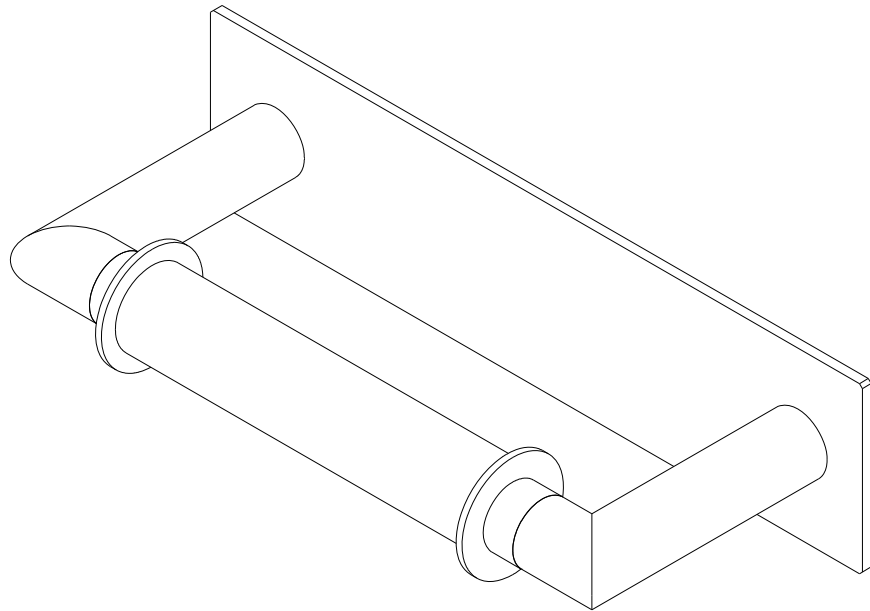
# 2540-1500

### Codes / Standards Compliance

Meets or exceeds the following at date of manufacture:

---

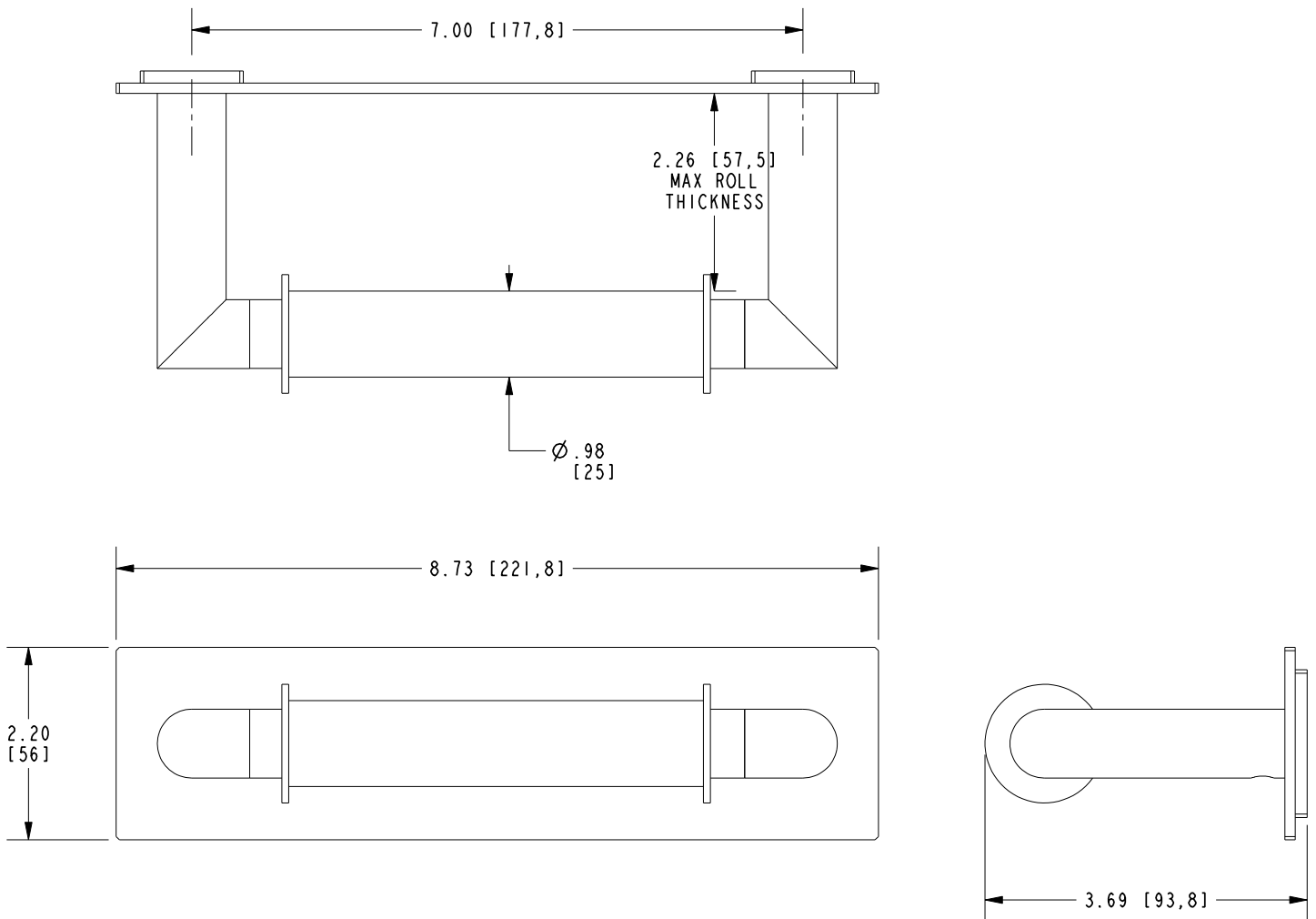
All applicable US Federal and State material regulations



# 2540-1500

## PRODUCT DIMENSIONS *(Units are in inches)*

Product Dimensions are provided for reference only. For specific product installation guidelines, please reference the Installation Instructions of the product being installed.



TOILET TISSUE HOLDER

**2540-1500**

Page 2 of 2  
EN- 5022  
REV D

**NEWPORT BRASS**  
Flawless Beauty. From Faucet to Finish.

t: 949.417.5207 | [www.newportbrass.com](http://www.newportbrass.com)  
©2025 NewportBrass