

Air Gap Kit
2470-5711

Features

- Solid brass cap
- 2.60" (6.6 cm) height above deck
- 2.00" (5.1 cm) base diameter
- 5/8" (1.6 cm) dishwasher inlet, 7/8" (2.2 cm) outlet
- Complements Jacobean product series



Codes / Standards Compliance

Meets or exceeds the following at date of manufacture:

- IAPMO PS 23
- IAPMO/UPC
- All applicable US Federal and State material regulations

Colors / Finishes

- 10B: Oil Rubbed Bronze
- 15: Polished Nickel
- 15S: Satin Nickel - PVD
- 26: Polished Chrome
- Other: Refer to the Newport Brass catalog for additional color/finish options.



2470-5711



2470-5751

Specified Model

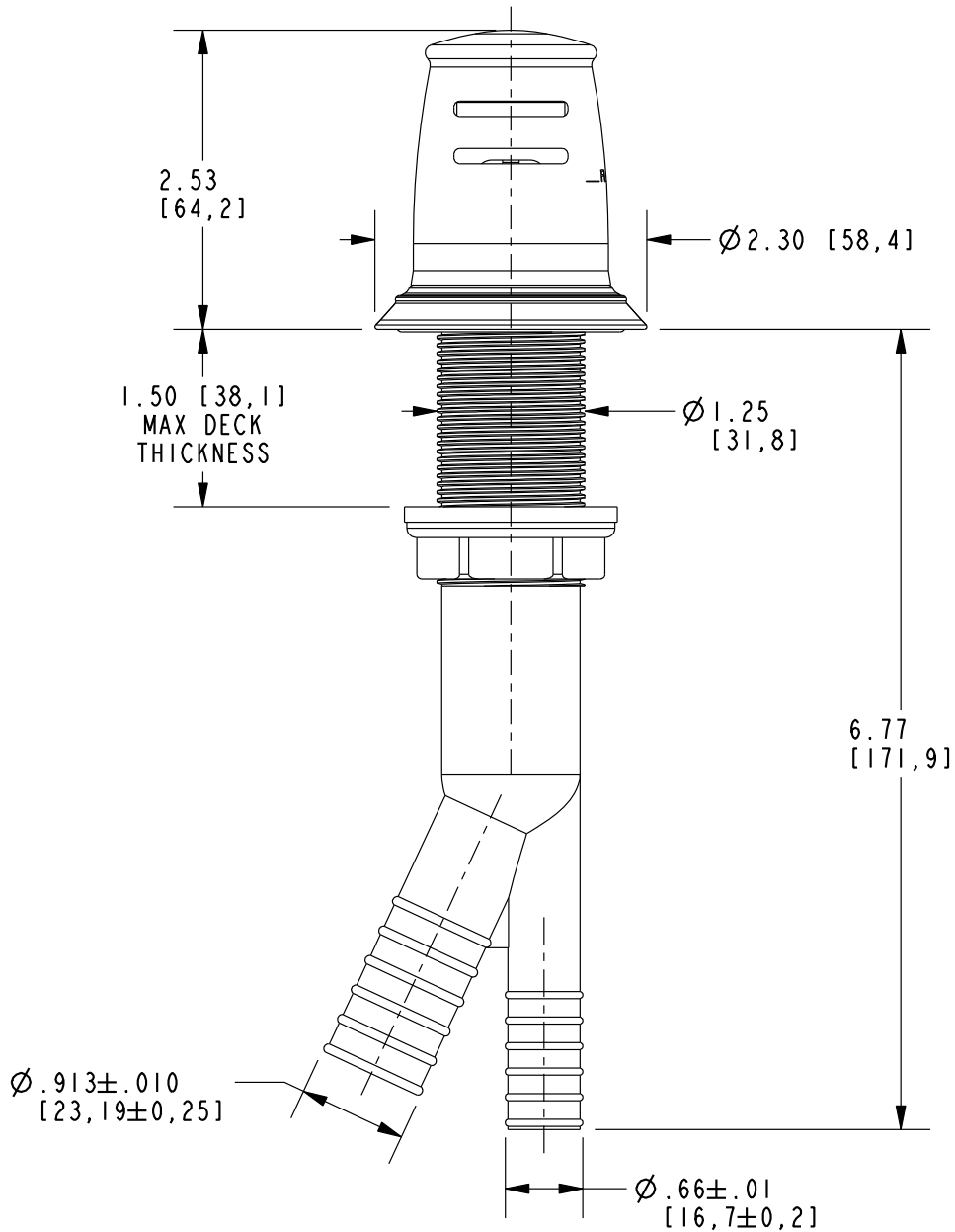
Model	Description	Colors Finishes				
2470-5711	Air Gap Kit	<input type="checkbox"/> 10B	<input type="checkbox"/> 15	<input type="checkbox"/> 15S	<input type="checkbox"/> 26	<input type="checkbox"/> Other
2470-5751	Air Gap Cap	<input type="checkbox"/> 10B	<input type="checkbox"/> 15	<input type="checkbox"/> 15S	<input type="checkbox"/> 26	<input type="checkbox"/> Other

Product Specification Add "Color / Finish" suffix to Model number, below.

The Air Gap Cap shall be made of solid brass construction. Product shall incorporate a 2.60" (6.6 cm) cap height and a 2.00" (5.1 cm) cap diameter base. The Air Gap Kit shall include the under deck mount air gap body. Air Gap Kit shall be Newport Brass Model 2400-5711/_____. Air Gap Cap shall be Newport Brass Model 2470-5751/_____.

2470-5711

Product Dimensions are provided for reference only. For specific product installation guidelines, please reference the Installation Instructions of the product being installed.



Jacobean Air Gap Kit 2470-5711