

# Premium Accessories

## Premium 8" Spread Wallmount Faucet

Satin Brushed Brass with included Matching Hole Cover

\*For use 3 Hole Victorian Collection Sinks



# Nantucket

S I N K S

www.NantucketSinksUSA.com

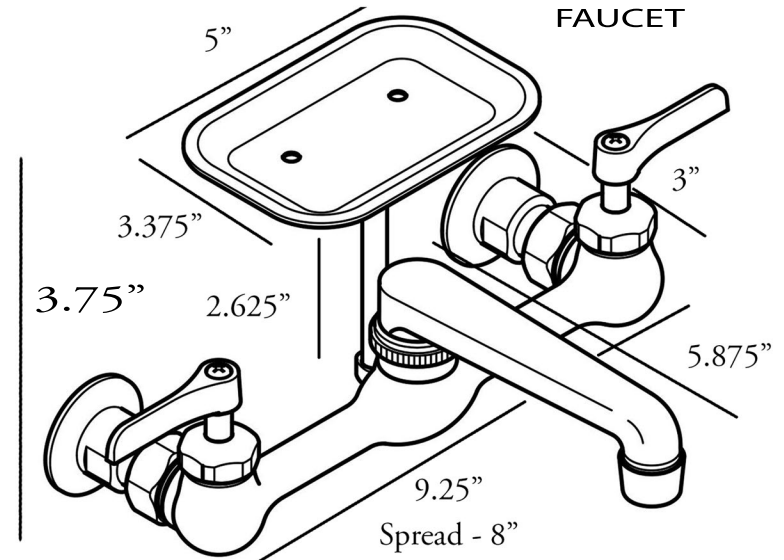
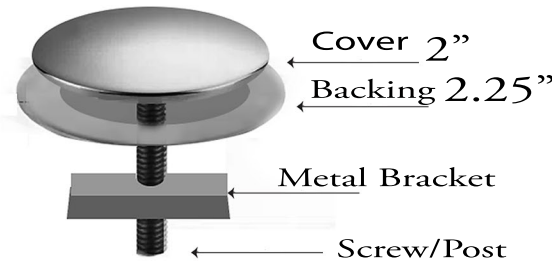
info@nantucketsinksusa.com

MODEL:

## CIF-2HSB-HC



### MATCHING HOLE COVER



### FAUCET FEATURES

- Heavy Solid Brass Construction
- 1.5 GPM Flow Rate
- ICC-ES Listing File No. PMG-1367, PMG-1368, PMG-1419
- Ceramic Cartridge
- Meets or Exceeds all State Code Compliance Laws
- 8" Spread design
- With cUPC, ASME, NSF-619 & NSF-619G (AB1953) Approval



- IAPMO UPC/cUPC
- NSF 61-9

MEETS ASME  
A112.18.1

- ASME A112.18.1

MEETS  
CA AB-1953

- CA AB-1953 (less than 0.25% lead content)

Project Name: \_\_\_\_\_

Architect / Contractor: \_\_\_\_\_

Job Notes: \_\_\_\_\_

\_\_\_\_\_

\_\_\_\_\_