

**General**

Provide MYSON EINTH CONTEMPORARY DESIGNER electric towel warmer including accessories as scheduled. Contemporary Designer towel warmers, available in 3 sizes, are made of cold rolled steel tube and fittings in a variety of finishes. The EINTH electric towel warmer is ETL approved.

Each EINTH towel warmer is constructed with 2"x1<sup>5</sup>/<sub>8</sub>"x1<sup>5</sup>/<sub>8</sub>" triangular vertical and 2<sup>3</sup>/<sub>4</sub>"x7<sup>1</sup>/<sub>16</sub>" flat horizontal tubes. Integral wall mounting lugs are welded onto the back and an adjustable four point mounting kit in a matching finish is included. The towel warmers are equipped with an ISO 9001 certified PTC smart thermo control element and a back lit on/off rocker switch (Figure 1). Each unit is filled to a precise level with a glycol based heat transfer fluid for optimum convective flow, providing a constant surface temperature. Every unit is factory tested to insure the finest quality product with design temperature output.

**Standard Connection:**  
single gang box

**Electrical Specifications:**  
120 Vac 60 Hz (see below)

**Weight:**  
(see below)

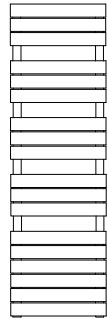


Figure 1

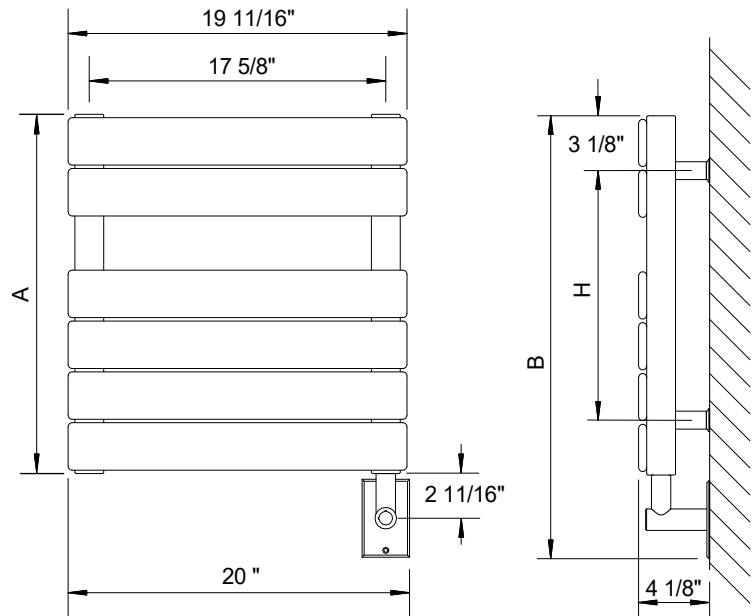
**Available Finishes:**  
RAL9016 - White epoxy polyester powder coat



EINTH2 Configuration



EINTH3 Configuration



MODEL	Dim "A"	Dim "B"	Dim "H"	Watts*	Amps	Wgt. (lbs)
EINTH1	20 7/8"	25 13/16"	13"	250	2.27	40
EINTH2	35 5/8"	40 9/16"	24 7/16"	400	3.64	48
EINTH3	65 3/16"	70 1/8"	57 1/2"	500	4.54	54

\* Represents draw at steady state.  
Power could be higher during warm up.



**Warranty:**  
MYSON European Tradition Towel Warmers are covered by a 10 year warranty.

An optional ST01C programmable timer is recommended and available from MYSON.



**Quality certificates**



PROJECT NAME:  
ARCHITECT:  
ENGINEER:  
SUBMITTED DATE:

APPROVED DATE:

APPROVED