

**ELECTRICAL SPECIFICATIONS**

Package	Components Included	GFCI / 110V
<b>Whirlpool</b>	1-bhp pump	1-15 amp
<b>Microbubbles</b>	Microbubbles pump	1-15 amp

See specific option details or installation information.  
CSA Certified C/US; ASTM D2565 and Z1241.6 1997

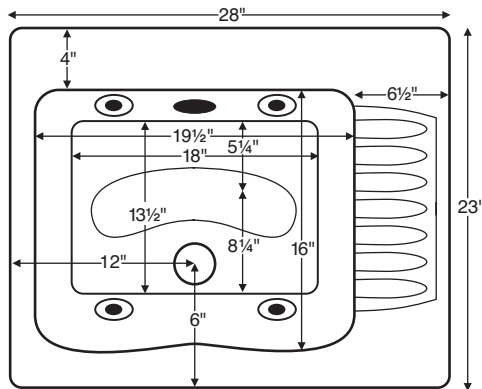


**Specialty Collection Foot Spa**

**Foot Spa 1**  
MODEL # MTL-110JP

28" x 23" x 13" / 10.5" deep

Packages	Description	Color	Part #	MSRP
Soaker	Soaking unit - no jets, • Valves are not included	White	MTLS-110JPSW	\$800
		Biscuit	MTLS-110JPSB	\$825
Microbubbles (cannot be combined with whirlpool)	1 microbubbles infusion port, pump and on/off device. • Valves are not included	White	MTLS-110JPMW	\$2,795
		Biscuit	MTLS-110JPMB	\$2,820
Whirlpool (without cleaning system)	4 multi-directional massage jets, 1-bhp pump, 1 suction fitting, on/off device, and silent air volume control. • Valves are not included	White	MTLS-110JPW	\$1,665
		Biscuit	MTLS-110JPB	\$1,690
Whirlpool with Cleaning System (cannot be combined with Virtual Spout high flow filler option)	4 multi-directional massage jets, 1-bhp pump, 1 suction fitting, on/off device, and silent air volume control. • Unit will fill through the jets. No faucet valve required. • Hot/cold valves not included. • Acme in-wall atmospheric vent and Wilkins Dual check valve for backflow prevention <sup>1</sup> .	White	MTLS-110JPCLW	\$2,560
		Biscuit	MTLS-110JPCLB	\$2,570
Whirlpool with Cleaning System & Valves (cannot be combined with Virtual Spout high flow filler option)	4 multi-directional massage jets, 1-bhp pump, 1 suction fitting, on/off device, and silent air volume control. Single-lever hot/cold valve in chrome finish. • Unit will fill through the jets. No faucet valve required. • Single lever hot/cold valves included. • Acme in-wall atmospheric vent and Wilkins Dual check valve for backflow prevention <sup>1</sup> .	White	MTLS-110JPCLVW	\$2,870
		Biscuit	MTLS-110JPCLVB	\$2,895



**Before ordering or installing, please consider future access to equipment.**

Options
Quick Ship / Priority (QUISINKSH) <b>\$215</b>
Ozonator Sanitation System (OZONE) <b>\$515</b>
Virtual Spout (FPMJ) <b>\$450</b> high flow filler <sup>1</sup> Cannot be combined with cleaning system.
Accessories
Drain Kit-Cable Driven Drain Chrome (JPDKC) <b>\$205</b> , Brushed Nickel (JPDKBRN) <b>\$265</b>
Fresh Wave Cleaning Solution Pack of 3 (FFCLBOT) <b>\$125</b> , Case of 12 (FFCLCASE) <b>\$340</b>

**CONSTRUCTION AND STANDARD FEATURES**

- Durable cast Acrylic CXL<sup>®</sup> shell is extremely scratch- and stain-resistant
- Non-porous, highly renewable surface.
- Ergonomically designed with sloped floor, calf recesses and integral raised stretch bar for feet.
- 2" drain.
- Limited Residential / Commercial Warranty: 1 year

<sup>1</sup> Check local codes for backflow prevention requirements. ZURN<sup>®</sup> Wilkins dual check valve-ASSE 1024/CSA B64.6. Cash Acme<sup>®</sup> vacuum breaker ASSE 1001/CSA B64.1.1. Access and spill pan will be required for proper maintenance of vacuum breaker.

• All product measurements are ±1/2".  
• Specifications and configurations are subject to change without notice.  
• Measurements herein supersede all others published prior to publication date below.

