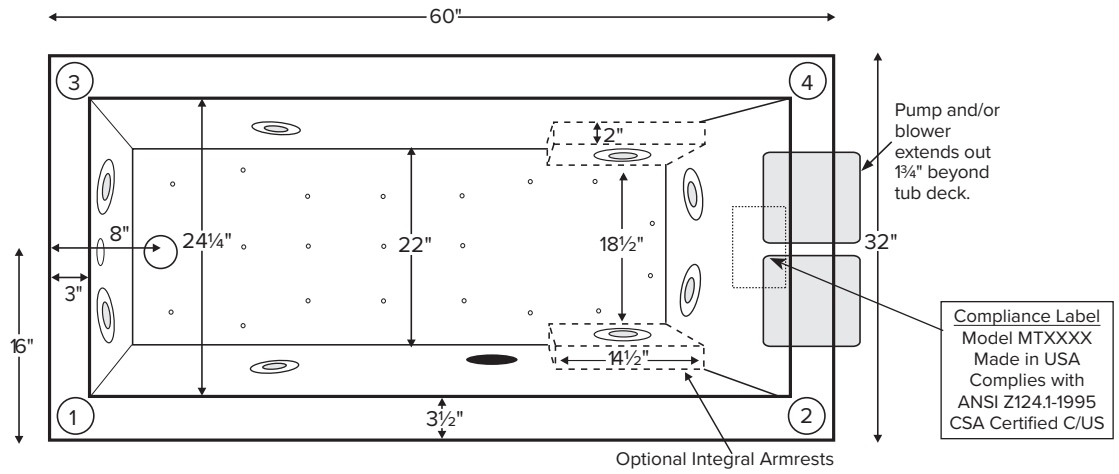




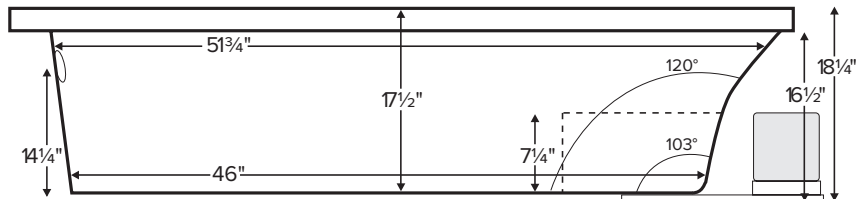
Designer Collection Tubs

Andrea® 6

MODEL 96		
60" x 32" x 18.25"		
DROP-IN or UNDERMOUNT 57 gal to overflow		
Acrylic CXL®		DoloMatte®
75 lbs / 34 kg	<SOAKER>	84 lbs / 38 kg
100 lbs / 45 kg	<PLUMBED>	113 lbs / 51 kg
Filling this tub to the maximum may require an above average size or dedicated water heater.		



Numbered areas on tub deck represent possible locations to install cleaning systems, faucets and other fixtures.
Pump extends out approximately 1 3/4" beyond tub deck.
 Shown with Air Massage and Ultra Whirlpool Package.



IMPORTANT:
 Air baths and tubs with a pre-leveled foam base or frame system add 2-3" to overall tub height.

IMPORTANT ORDERING & INSTALLATION INFORMATION

- Before ordering or installing, please consider future access to equipment.
- Add proper bedding compound to fully level and support bottom of tub.
- When equipped with an air bath package, pre-leveled foam base or frame system, overall tub height is increased by approx. 2-3" and is designed to install on a flat, level subfloor.
- Radiance placed on airbath floor will affect placement of air jets.
- System components may extend beyond the perimeter of deck.
- Please measure tub **on-site** before building tub decking.
- Advise MTI when planning to use a glass enclosure. Relocation of controls may be necessary.
- Suction and control locations may vary.
- All tubs are compliant with ASTM C 1028-07 coefficient of friction. DoloMatte meets ANSI A137.1/ A326.3 coefficient of friction and AS HB198:2014 slip tests.

ELECTRICAL COMPONENTS & SPECIFICATIONS

Hydrotherapy Package	Components Included	GFCI / 110V
Standard Whirlpool	2-bhp pump	1-15 amp
Stream Bath	1/2-bhp, ozone	1-20 amp
Microbubbles	Microbubbles pump	1-15 amp
Ultra Whirlpool	2-bhp pump, inline heater, ozone	2-15 amp
Air Massage	heated blower	1-15 amp
Air Massage Elite	heated blower, chromatherapy	1-15 amp
Air Massage w/ Stream Bath	1/2-bhp pump, heated blower, ozone	1-20 amp
Air Massage Elite w/ Stream Bath	1/2-bhp pump, heated blower, chromatherapy, ozone	1-20 amp

Hydrotherapy Package	Components Included	GFCI / 110V
Microbubbles with Air	Microbubbles pump, heated blower	1-20 amp
Microbubbles with Air Elite	Microbubbles pump, heated blower, chromatherapy	2-15 amp
Air with Whirlpool	2-bhp pump, heated blower	2-15 amp
Air with Ultra Whirlpool	2-bhp pump, inline heater, heated blower, ozone	2-20 amp
Air Elite with Whirlpool	2-bhp pump, heated blower, chromatherapy	2-15 amp
Air Elite with Ultra Whirlpool	2-bhp pump, inline heater, heated blower, chromatherapy, ozone	2-20 amp

See the Installation & Operation Manual for more details.
 MTI's Customer Service Monday-Friday 8am-6pm EST
 800-783-8827 or service@mtibaths.com

- Before discarding tub crate, check for accessories that may be packaged inside.
- All product measurements are ±1/2".
- Specifications and configurations are subject to change without notice.
- Measurements herein supersede all others published prior to publication date below.



- Aromatherapy is eliminated for undermount applications
- Air Baths, Pre-Levelled Foam Base or Frame Systems increase overall height by 2-3".

Andrea® 6

MODEL 96

60" x 32" x 18.25"

Hydrotherapy Packages	Package Contents	Acrylic CXL®		DoloMatte®	
		Part #	MSRP	Part #	MSRP
Soaker	Soaking bath - no jets	S96-DI	\$2,720	S96DM-DI	\$3,275
		S96-UM		S96DM-UM	
Stream Bath	6 side vents, 2 end vents, 1/2 bhp pump, Ozone	SM96-DI	\$5,080	SM96DM-DI	\$5,635
		SM96-UM		SM96DM-UM	
Microbubbles	1 microbubbles infusion port and pump	M96-DI	\$5,800	M96DM-DI	\$6,355
		M96-UM		M96DM-UM	
Air Massage	20 air jets, heated air blower, Aromatherapy, pre-leveled foam base	AST96-DI	\$6,105	AST96DM-DI	\$6,660
		AST96-UM		AST96DM-UM	
Air Massage Elite	30 air jets, heated air blower, Aromatherapy, Chromatherapy LED lighting, Spa Mode, pre-leveled foam base	AE96-DI	\$7,865	AE96DM-DI	\$8,420
		AE96-UM		AE96DM-UM	
Stream Bath with Air Massage	6 side vents, 2 end vents, 1/2 bhp pump, Ozone, 20 air jets, heated air blower, Aromatherapy, pre-leveled foam base	ASTSM96-DI	\$8,000	ASTSM96DM-DI	\$8,555
		ASTSM96-UM		ASTSM96DM-UM	
Stream Bath with Air Massage Elite	6 side vents, 2 end vents, 1/2 bhp pump, Ozone, 30 air jets, heated air blower, Aromatherapy, Chromatherapy LED lighting, Spa Mode, pre-leveled foam base	AESM96-DI	\$9,945	AESM96DM-DI	\$10,500
		AESM96-UM		AESM96DM-UM	
Microbubbles with Air Massage	1 microbubbles infusion port and pump, 20 air jets, heated air blower, Aromatherapy, pre-leveled foam base	ASTM96-DI	\$8,625	ASTM96DM-DI	\$9,180
		ASTM96-UM		ASTM96DM-UM	
Microbubbles with Air Massage Elite	1 microbubbles infusion port and pump, 30 air jets, heated air blower, Aromatherapy, Chromatherapy LED lighting, Spa Mode, pre-leveled foam base	AEM96-DI	\$10,295	AEM96DM-DI	\$10,850
		AEM96-UM		AEM96DM-UM	
Standard Whirlpool	6 point-massage jets, 2-bhp pump	P96-DI	\$4,915	P96DM-DI	\$5,470
		P96-UM		P96DM-UM	
Ultra Whirlpool	8 point-massage jets, 2-bhp pump, inline heater, Ozone	P96U-DI	\$6,765	P96UDM-DI	\$7,320
		P96U-UM		P96UDM-UM	
Air Massage with Standard Whirlpool	6 point-massage jets, 2-bhp pump, 20 air jets, heated air blower, Aromatherapy, pre-leveled foam base	AW96-DI	\$8,295	AW96DM-DI	\$8,850
		AW96-UM		AW96DM-UM	
Air Massage with Ultra Whirlpool	8 point-massage jets, 2-bhp pump, inline heater, 20 air jets, heated air blower, Aromatherapy, Ozone, pre-leveled foam base	AU96-DI	\$10,145	AU96DM-DI	\$10,700
		AU96-UM		AU96DM-UM	
Air Massage Elite with Standard Whirlpool	6 point-massage jets, 2-bhp pump, 30 air jets, heated air blower, Aromatherapy, Chromatherapy LED lighting, Spa Mode, pre-leveled foam base	AEAP96-DI	\$10,060	AEAP96DM-DI	\$10,615
		AEAP96-UM		AEAP96DM-UM	
Air Massage Elite with Ultra Whirlpool	8 point-massage jets, 2-bhp pump, inline heater, 30 air jets, heated air blower, Aromatherapy, Ozone, Chromatherapy LED lighting, Spa Mode, pre-leveled foam base	AEAP96U-DI	\$11,075	AEAP96UDM-DI	\$11,630
		AEAP96U-UM		AEAP96UDM-UM	

RECOMMENDED SENSORY THERAPIES

Chromatherapy

(LE) **\$840** underwater lighting
2 LED lights included

Audiotherapy

(STEREOBT) **\$1,460** 2 transducers with bluetooth and amplifier
(BTREMOTE) **\$630** bluetooth remote

(STEREOH202) **\$1,655** 4 transducers amplifier not included

Thermaltherapy

(RAD100) **\$1,675** Radiance®
2 heated zones included
(HTISOAK) **\$865**



For more information on options and accessories go to Acrylic Tub Options at mtibaths.com

Options <i>Must be ordered at time of purchase.</i>
Standard Colors White (CWH) DoloMatte available in matte white only. Biscuit (CBS) Not available for DoloMatte.
Quick Ship reduces lead time (QSPRI) \$450 <i>Please call for availability</i>
Inline Heater maintains water temperature For Soaker or Air Baths (HTISOAK) \$865 Includes a recirculating pump <i>Cannot be combined with Microbubbles.</i>
Virtual Spout high-flow integrated tub filler (FPMJ) \$475 <i>Virtual Spout location is left of the overflow, unless otherwise specified on order.</i>
Grab Bars from \$345 <i>Selections vary. Personalization available.</i>
Textured Bottom (TXTBTM) Acrylic CXL® only \$110 DoloMatte® exceeds ANSI A137.1/A326.3 and AS HB198 slip tests.
Low-Profile Rim - reduces rim height to 1" (LPR) \$280
Integral Armrests - 1 pair (INTARM) \$145 end drain tub models
Accessories
Pillows from \$190
Teak Bath Mat (TKMAT3018) \$840 <i>Custom sizes also available. Contact MTI for details and pricing.</i>
Teak Tub Tray Slatted (TK-TRAY1) \$515 Solid (TK-TRAY2) \$585
Teak Seat (TK-REMSEAT) \$680 For use with armrests only.

Hydrotherapy Equipment & Cleaning Systems <i>Must be ordered at time of purchase.</i>
Inline Heater maintains water temperature For Whirlpools or Stream Bath (HTI) \$600 Uses existing pump <i>Cannot be combined with Microbubbles.</i>
Whirlpool Cleaning Systems Fill-Flush (FFSO) \$620 Simple Touch (FFE) \$1,070 <i>Must specify stub-out location on order. See page 1 for location options.</i>
Whirlpool Jets Pump upgrade may be advisable for optimal performance when adding jets. Point-Massage Jet Extra Point-Massage Jet (EJ) \$330 Micro-Jet from \$380 <i>Jet styles and packages vary. Personalization available.</i>
Pump Upgrade - 3-bhp (PUMP3) \$330
Jet Trim Kits For Standard Whirlpool Chrome (TRC) \$285 , Brushed Nickel (TRBN) \$760 For Ultra Whirlpool Chrome (TRCU) \$390 , Brushed Nickel (TRBNU) \$1,010
Ozonator (OZONE) \$540 <i>Cannot be added to soakers or airbaths without combination hydrotherapy package or HTISOAK.</i>

Installation Options *Must be ordered at time of purchase.*

Pre-Leveled Foam Base (PLFOAM) \$310 All airbaths include a pre-leveled foam base.
Pre-Leveled Frame and Foam Base (PLF) \$775
Pre-Leveled Frame and Foam Base with Skirting (Acrylic CXL® tubs only) <i>For pricing and details go to mtibaths.com</i>

Tile Flange Factory-Installed on 3 sides - rigid ABS (TFK3) \$210 Field Install Kit - includes rigid ABS & adhesive (TFKNI) \$195 IMPORTANT: <i>Must specify flange location(s) on order of Factory-Installed Flange. Not available with optional Low-Profile Rim.</i>

Drains & Overflow Kits *Toe Tap Rectangular Overflow must be ordered at time of purchase*

Cable Driven Drain Finishes – PVC Drain Kit White/Biscuit (WOCDW) \$460 Chrome (WOCD) \$430 Brushed Nickel (WOCDBN) \$515 Polished Nickel (WOCDPN) \$565 Oil-Rubbed Bronze+ (WOCDOR) \$580 Polished Brass (WOCDBR) \$725 Special Finishes* (WOCDSF) \$1,190 <i>MTI does not offer a brass body cable drain kit.</i>

Toe Tap Round Overflow – PVC Drain Kit Chrome (WOTTC) \$400 Brushed Nickel (WOTTBN) \$405 Polished Nickel (WOTTPN) \$405 Special Finishes* (WOTTSF) \$1,200 Round Overflow – Solid Brass Drain Chrome (WOTTSSBC) \$850 Brushed Nickel (WOTTSSBBN) \$850 Polished Nickel (WOTTSSBPN) \$850
--

Toe Tap Rectangular Overflow – PVC Drain Kit Chrome (WOTRC) \$495 Brushed Nickel (WOTRBN) \$450 White (WOTRW) \$550 Lift & Turn Drain Finishes – PVC Drain Kit Chrome (WOC) \$195 White (WOW) \$255 Brushed Nickel (WOBN) \$320
--

Slim-Line Overflow with Toe Tap Drain *Must be ordered at time of purchase.*

- Low profile overflow is factory installed
- Overflow measures 4.5" x 1"
- Provides a deeper soak
- Not available for commercial applications

Slim-Line Overflow with Toe Tap Drain PVC Drain Chrome (SLOT) \$525 Brushed Nickel (SLOTBN) \$555 Polished Nickel (SLOTPN) \$585 White (SLOTW) \$450
--

Slim-Line Overflow with Toe Tap Drain Solid Brass Drain Chrome (SLOTSBC) \$975 Brushed Nickel (SLOTSBBN) \$980 Polished Nickel (SLOTSBPN) \$980 White (SLOTSBW) \$1,015

* MTI has selected an oil-rubbed bronze finish that is compatible with Delta and many other manufacturers. To ensure best match, order as a Special Finish and submit a sample.

* Allow 2-4 weeks lead time for Special Finishes. Send sample for best match.

