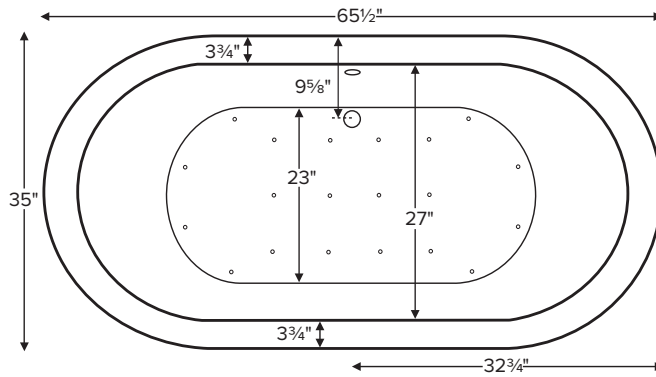


Melinda 4

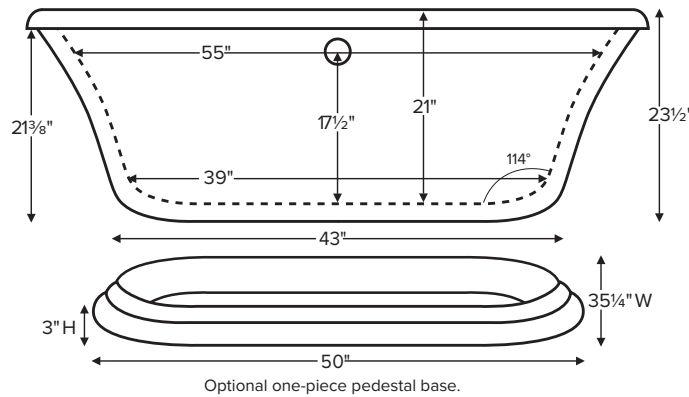


MODEL 88	
65.5" x 35" x 23.5" Optional pedestal: 50" x 35.25" x 3"	
FREESTANDING 80 gal to overflow	
Acrylic CXL®	DoloMatte®
121 lbs / 55 kg	<SOAKER> 136 lbs / 62 kg
Filling this tub to the maximum may require an above average size or dedicated water heater.	



Requires use of a wall-mounted or freestanding tub filler.

Shown with Air Massage Package.

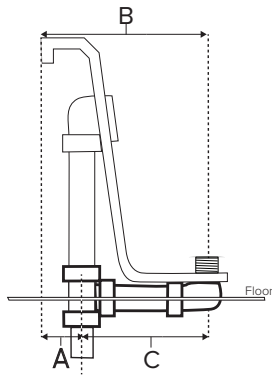


Access panel
9" x 16"



Drain Rough-In Measurements

A	B	C
4 1/8"	9 5/8"	5 1/2"



ELECTRICAL COMPONENTS & SPECIFICATIONS

Hydrotherapy Package	Components Included	110V GFCI
Air Massage	heated blower	1-15 amp
Air Massage Elite	heated blower, chromatherapy	1-15 amp

Electrical requirements may change with the addition of optional therapy components.
See specific option details or installation information.
CSA Certified C/US; B45.5/IAPMO ANSI Z124.1 and ANSI 112.19.7

See the Installation & Operation Manual for more details.
MTI's Customer Service: Monday-Friday 8am-6pm EST
800-783-8827 or service@mtibaths.com

- Before discarding tub packaging, check for accessories that may be packaged inside.
- All product measurements are ±1/2".
- Specifications and configurations are subject to change without notice.
- Measurements herein supersede all others published prior to publication date below.

IMPORTANT ORDERING & INSTALLATION INFORMATION:

- Before ordering or installing, please consider future access to equipment.
- Comes equipped with an access panel on the drain side for installation of waste and overflow.
- Optional pedestal ring does not increase the height of the tub.
- Air baths require job site preparations for remote mounting the blower.
- Hydrotherapy equipment may ship loose for remote installation depending on tub model. See package content on the following page for details.
- MTI will eliminate the access panel upon request. Installation will be more difficult.
- Radiance placed on floor locations will affect placement of air jets.
- Faucet valves cannot be installed on this tub model.
- All tubs are in accordance with CSA B45.5/IAPMO Z124 standard and compliant with ASTM C 1028-07 coefficient of friction. DoloMatte meets ANSI A137.1/A326.3 coefficient of friction and AS HB198:2014 pendulum slip resistance testing.



Melinda 4

MODEL 88

65.5" x 35" x 23.5"

Hydrotherapy Packages	Package Contents	Acrylic CXL®		DoloMatte®	
		Part #	MSRP	Part #	MSRP
Soaker	Soaking bath - no jets; includes a pre-leveled foam base.	S88	\$5,780	S88ADM	\$6,520
		With pedestal S88B	\$6,960	With pedestal S88BDM	\$7,795
Air Massage	20 air jets, heated air blower, pre-leveled foam base. Blower and control boxes must be remote located.	AST88	\$9,165	AST88ADM	\$9,905
		With pedestal AST88B	\$10,345	With pedestal AST88BDM	\$11,180
Air Massage Elite	30 air jets, heated air blower, Chromatherapy LED lighting, Spa Mode, pre-leveled foam base. Blower and control boxes must be remote located.	AE88	\$10,925	AE88ADM	\$11,665
		With pedestal AE88B	\$12,105	With pedestal AE88BDM	\$12,940

RECOMMENDED SENSORY THERAPIES

Chromatherapy

(LE) **\$840** underwater lighting
2 LED lights included

Audiotherapy

(STEREOBT) **\$1,460** 2 transducers
with bluetooth and amplifier
(BTREMOTE) **\$630** bluetooth remote

(STEREOH202) **\$1,655** 4 transducers
amplifier not included

Thermaltherapy

(RAD100) **\$1,675** Radiance®
2 heated zones included

Options <i>Must be ordered at time of purchase</i>
Standard Colors White (CWH) DoloMatte available in matte white only. Biscuit (CBS) Not available for DoloMatte.
Quick Ship reduces lead time (QSPRI) \$450 <i>Please call for availability</i>
Textured Bottom (TXTBTM) Acrylic CXL® only \$110 DoloMatte® exceeds ANSI A137.1/A326.3 and AS HB198 slip tests.
Virtual Spout high-flow integrated tub filler (FPMJ) \$475
Grab Bars from \$345 (1 set of 2) Grab bars are factory-installed to the left and right of the overflow. Go to Acrylic Tub Options on mtibaths.com for details before ordering. <i>Color and finish selections vary.</i>
Decorative Towel Bar Chrome (CHTOWEL) \$570 , Brushed Nickel (BNTOWEL) \$570

Accessories	
Pillows from \$190	
Teak Bath Mat (TKMAT3018) \$840 <i>Custom sizes also available. Contact MTI for details and pricing.</i>	
Floor-Mounted High-Flow Tub Filler Contemporary Brushed Nickel (FILLBN) \$1,795	
Faucet Stand SculptureStone® Standard	
Small 3-hole capacity 14¼" w x 21¾" h Matte (STAND) \$745	Large 5-hole capacity 22" w x 21¾" h Matte (STANDL) \$880
+\$420 gloss finish upcharge (SSGLOSSSNK)	



Melinda 4

MODEL 88

65.5" x 35" x 23.5"

Cable Driven

Turn the overflow knob clockwise to open the drain, then counterclockwise to close the drain.



- Drain Finishes - PVC Drain Kit**
- White/Bone/Biscuit (WOCDW) **\$460**
- Chrome (W OCD) **\$430**
- Brushed Nickel (WOCDBN) **\$515**
- Polished Nickel (WOCDPN) **\$565**
- Oil-Rubbed Bronze[†] (WOCBOR) **\$580**
- Polished Brass (WOCDBR) **\$725**
- Special Finishes* (WOCDSF) **\$1,190**

MTI does not offer a brass body cable drain kit.

Lift & Turn

Simple lift & turn to open. Lift, turn & release to close.



- Drain Finishes - PVC Drain Kit**
- Chrome (WOC) **\$195**
- White (WOW) **\$255**
- Brushed Nickel (WOBN) **\$320**

Toe Tap Push down on drain cover to open and close.



- Round Overflow - PVC Drain Kit**
- Chrome (WOTTC) **\$400**
- Brushed Nickel (WOTTBN) **\$405**
- Polished Nickel (WOTTPN) **\$405**
- Special Finishes* (WOTTSF) **\$1,200**



- Round Overflow - Solid Brass Drain**
- Chrome (WOTTSBC) **\$850**
- Brushed Nickel (WOTTSBBN) **\$850**
- Polished Nickel (WOTTSBPN) **\$850**



- Rectangular Overflow - PVC Drain Kit**
- Chrome (WOTRC) **\$495**
- Brushed Nickel (WOTRBN) **\$450**
- White (WOTRW) **\$550**

Rectangular Overflow kit must be specified when the tub is ordered.

Slim-Line Overflow with Toe Tap Drain

Sleek low profile overflow is factory-installed • Overflow measures 4.5" x 1" Provides a deeper soak • Not available for commercial applications



Must be specified when the tub is ordered. Available for select Designer Collection tubs only.

Slim-Line Overflow with Toe-Tap PVC Drain

- Chrome (SLOTC) **\$525**
- Brushed Nickel (SLOTBN) **\$555**
- Polished Nickel (SLOTPN) **\$585**
- White (SLOTW) **\$450**



Slim-Line Overflow with Toe-Tap Solid Brass Drain

- Chrome (SLOTSBC) **\$975**
- Brushed Nickel (SLOTSBBN) **\$980**
- Polished Nickel (SLOTSBPN) **\$980**
- White (SLOTSBW) **\$1,015**

See individual tub specification sheets for availability.

* Allow 2-4 weeks lead time for Special Finishes. Send sample for best match.

†Oil Rubbed Bronze finishes vary among manufacturers. MTI has selected a finish that is compatible with many available. To ensure best match, order as a Special Finish and submit a sample.

NOTE: MTI does not warrant drain kits or finishes, though drain kits may carry a direct factory warranty from the manufacturer. Proper drain installation is the responsibility of the installer. MTI's tub warranty does not cover drain leakage.

