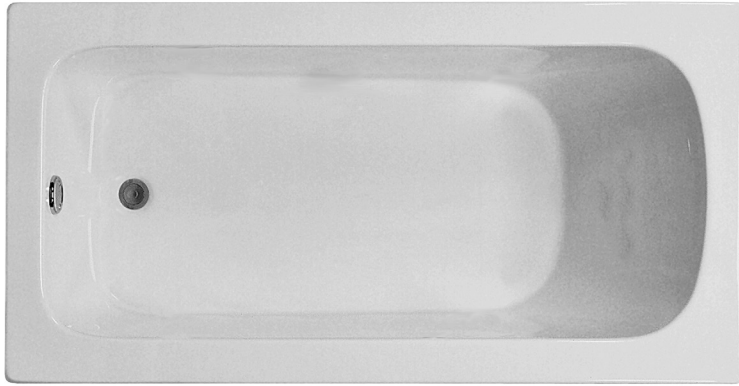
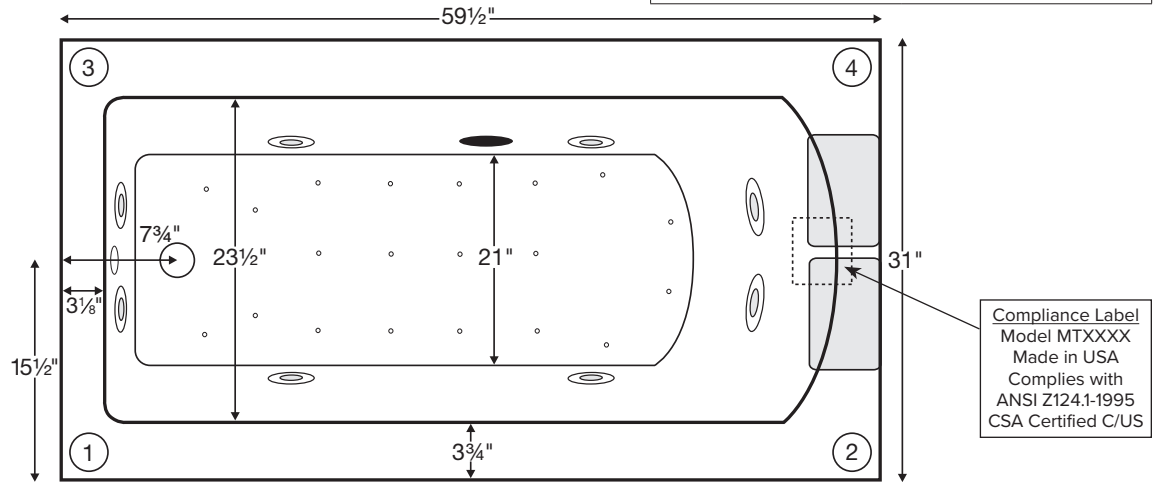


Sophia 1

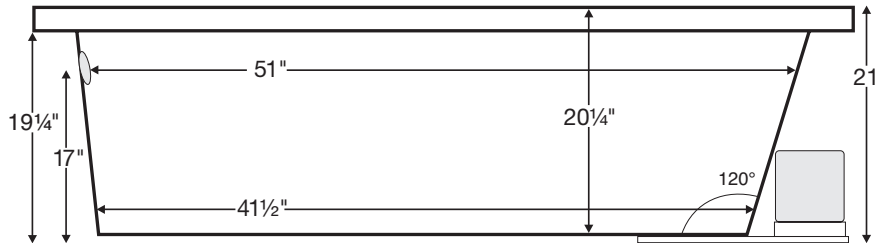


MODEL 55	
59.5" x 31" x 21"	
DROP-IN or UNDERMOUNT 77 gal to overflow	
Acrylic CXL®	DoloMatte®
95 lbs / 43 kg 118 lbs / 54 kg	<SOAKER> 107 lbs / 49 kg <PLUMBED> 130 lbs / 59 kg
Filling this tub to the maximum may require an above average size or dedicated water heater.	



Compliance Label
Model MTXXXX
Made in USA
Complies with
ANSI Z124.1-1995
CSA Certified C/US

Numbered areas on tub deck represent possible locations to install cleaning systems, faucets and other fixtures. Shown with Air Massage and Ultra Whirlpool Package.



IMPORTANT:
Air baths and tubs with a pre-leveled foam base or frame system add 2-3" to overall tub height.

IMPORTANT ORDERING & INSTALLATION INFORMATION

- Before ordering or installing, please consider future access to equipment.
- Add proper bedding compound to fully level and support bottom of tub.
- When equipped with an air bath package, pre-leveled foam base or frame system, overall tub height is increased by approx. 2-3" and is designed to install on a flat, level subfloor.
- Radiance placed on airbath floor will affect placement of air jets.
- System components may extend beyond the perimeter of deck.
- Please measure tub **on-site** before building tub decking.
- Advise MTI when planning to use a glass enclosure. Relocation of controls may be necessary.
- Suction and control locations may vary.
- All tubs are compliant with ASTM C 1028-07 coefficient of friction. DoloMatte meets ANSI A137.1/ A326.3 coefficient of friction and AS HB198:2014 slip tests.

ELECTRICAL COMPONENTS & SPECIFICATIONS

Hydrotherapy Package	Components Included	GFCI / 110V
Standard Whirlpool	2-bhp pump	1-15 amp
Stream Bath	1/2-bhp, ozone	1-20 amp
Microbubbles	Microbubbles pump	1-15 amp
Ultra Whirlpool	2-bhp pump, inline heater, ozone	2-15 amp
Air Massage	heated blower	1-15 amp
Air Massage Elite	heated blower, chromatherapy	1-15 amp
Air Massage w/ Stream Bath	1/2-bhp pump, heated blower, ozone	1-20 amp
Air Massage Elite w/ Stream Bath	1/2-bhp pump, heated blower, chromatherapy, ozone	1-20 amp

Hydrotherapy Package	Components Included	GFCI / 110V
Microbubbles with Air	Microbubbles pump, heated blower	1-20 amp
Microbubbles with Air Elite	Microbubbles pump, heated blower, chromatherapy	2-15 amp
Air with Whirlpool	2-bhp pump, heated blower	2-15 amp
Air with Ultra Whirlpool	2-bhp pump, inline heater, heated blower, ozone	2-20 amp
Air Elite with Whirlpool	2-bhp pump, heated blower, chromatherapy	2-15 amp
Air Elite with Ultra Whirlpool	2-bhp pump, inline heater, heated blower, chromatherapy, ozone	2-20 amp

See the Installation & Operation Manual for more details.
MTI's Customer Service Monday-Friday 8am-6pm EST
800-783-8827 or service@mtibaths.com

- Before discarding tub crate, check for accessories that may be packaged inside.
- All product measurements are ±1/2".
- Specifications and configurations are subject to change without notice.
- Measurements herein supersede all others published prior to publication date below.



- Aromatherapy is eliminated for undermount applications
- Air Baths, Pre-Levelled Foam Base or Frame Systems increase overall height by 2-3".

Sophia 1
MODEL 55
59.5" x 31" x 21"

Hydrotherapy Packages	Package Contents	Acrylic CXL®		DoloMatte®	
		Part #	MSRP	Part #	MSRP
Soaker	Soaking bath - no jets	S55-DI	\$2,625	S55DM-DI	\$3,180
		S55-UM		S55DM-UM	
Stream Bath	6 side vents, 2 end vents, 1/2 bhp pump, Ozone	SM55-DI	\$4,985	SM55DM-DI	\$5,540
		SM55-UM		SM55DM-UM	
Microbubbles	1 microbubbles infusion port and pump	M55-DI	\$5,705	M55DM-DI	\$6,260
		M55-UM		M55DM-UM	
Air Massage	20 air jets, heated air blower, Aromatherapy, pre-leveled foam base	AST55-DI	\$6,010	AST55DM-DI	\$6,565
		AST55-UM		AST55DM-UM	
Air Massage Elite	30 air jets, heated air blower, Aromatherapy, Chromatherapy LED lighting, Spa Mode, pre-leveled foam base	AE55-DI	\$7,770	AE55DM-DI	\$8,325
		AE55-UM		AE55DM-UM	
Stream Bath with Air Massage	6 side vents, 2 end vents, 1/2 bhp pump, Ozone, 20 air jets, heated air blower, Aromatherapy, pre-leveled foam base	ASTSM55-DI	\$7,905	ASTSM55DM-DI	\$8,460
		ASTSM55-UM		ASTSM55DM-UM	
Stream Bath with Air Massage Elite	6 side vents, 2 end vents, 1/2 bhp pump, Ozone, 30 air jets, heated air blower, Aromatherapy, Chromatherapy LED lighting, Spa Mode, pre-leveled foam base	AESM55-DI	\$9,850	AESM55DM-DI	\$10,405
		AESM55-UM		AESM55DM-UM	
Microbubbles with Air Massage	1 microbubbles infusion port and pump, 20 air jets, heated air blower, Aromatherapy, pre-leveled foam base	ASTM55-DI	\$8,530	ASTM55DM-DI	\$9,085
		ASTM55-UM		ASTM55DM-UM	
Microbubbles with Air Massage Elite	1 microbubbles infusion port and pump, 30 air jets, heated air blower, Aromatherapy, Chromatherapy LED lighting, Spa Mode, pre-leveled foam base	AEM55-DI	\$10,200	AEM55DM-DI	\$10,755
		AEM55-UM		AEM55DM-UM	
Standard Whirlpool	6 point-massage jets, 2-bhp pump	P55-DI	\$4,820	P55DM-DI	\$5,375
		P55-UM		P55DM-UM	
Ultra Whirlpool	8 point-massage jets, 2 bhp pump, inline heater, Ozone	P55U-DI	\$6,670	P55UDM-DI	\$7,225
		P55U-UM		P55UDM-UM	
Air Massage with Standard Whirlpool	6 point-massage jets, 2-bhp pump, 20 air jets, heated air blower, Aromatherapy, pre-leveled foam base	AW55-DI	\$8,200	AW55DM-DI	\$8,755
		AW55-UM		AW55DM-UM	
Air Massage with Ultra Whirlpool	8 point-massage jets, 2 bhp pump, inline heater, 20 air jets, heated air blower, Aromatherapy, Ozone, pre-leveled foam base	AU55-DI	\$10,050	AU55DM-DI	\$10,605
		AU55-UM		AU55DM-UM	
Air Massage Elite with Standard Whirlpool	6 point-massage jets, 2-bhp pump, 30 air jets, heated air blower, Aromatherapy, Chromatherapy LED lighting, Spa Mode, pre-leveled foam base	AEAP55-DI	\$9,965	AEAP55DM-DI	\$10,520
		AEAP55-UM		AEAP55DM-UM	
Air Massage Elite with Ultra Whirlpool	8 point-massage jets, 2 bhp pump, inline heater, 30 air jets, heated air blower, Aromatherapy, Ozone, Chromatherapy LED lighting, Spa Mode, pre-leveled foam base	AEAP55U-DI	\$10,980	AEAP55UDM-DI	\$11,535
		AEAP55U-UM		AEAP55UDM-UM	

RECOMMENDED SENSORY THERAPIES

Chromatherapy

(LE) **\$840** underwater lighting
2 LED lights included

Audiotherapy

(STEREOBT) **\$1,460** 2 transducers with bluetooth and amplifier
(BTREMOTE) **\$630** bluetooth remote

(STEREOH202) **\$1,655** 4 transducers amplifier not included

Thermaltherapy

(RAD100) **\$1,675** Radiance®
2 heated zones included
(HTISOAK) **\$865**



For more information on options and accessories go to Acrylic Tub Options at mtibaths.com

Options <i>Must be ordered at time of purchase.</i>
Standard Colors White (CWH) DoloMatte available in matte white only. Biscuit (CBS) Not available for DoloMatte.
Quick Ship reduces lead time (QSPRI) \$450 <i>Please call for availability</i>
Inline Heater maintains water temperature For Soaker or Air Baths (HTISOAK) \$865 Includes a recirculating pump <i>Cannot be combined with Microbubbles.</i>
Virtual Spout high-flow integrated tub filler (FPMJ) \$475 <i>Virtual Spout location is left of the overflow, unless otherwise specified on order.</i>
Grab Bars from \$345 <i>Selections vary. Personalization available.</i>
Textured Bottom (TXTBTM) Acrylic CXL® only \$110 DoloMatte® exceeds ANSI A1371/A326.3 and AS HB198 slip tests.
Accessories
Pillows from \$190
Teak Bath Mat (TKMAT3018) \$840 <i>Custom sizes also available. Contact MTI for details and pricing.</i>
Teak Tub Tray Slatted (TK-TRAY1) \$515 Solid (TK-TRAY2) \$585

Hydrotherapy Equipment & Cleaning Systems <i>Must be ordered at time of purchase.</i>
Inline Heater maintains water temperature For Whirlpools or Stream Bath (HTI) \$600 Uses existing pump <i>Cannot be combined with Microbubbles.</i>
Whirlpool Cleaning Systems Fill-Flush (FFSO) \$620 Simple Touch (FFE) \$1,070 <i>Must specify stub-out location on order. See page 1 for location options.</i>
Whirlpool Jets Pump upgrade may be advisable for optimal performance when adding jets. Point-Massage Jet Extra Point-Massage Jet (EJ) \$330 Micro-Jet from \$380 <i>Jet styles and packages vary. Personalization available.</i>
Pump Upgrade - 3-bhp (PUMP3) \$330
Jet Trim Kits For Standard Whirlpool Chrome (TRC) \$285 , Brushed Nickel (TRBN) \$760 For Ultra Whirlpool Chrome (TRCU) \$390 , Brushed Nickel (TRBNU) \$1,010
Ozonator (OZONE) \$540 <i>Cannot be added to soakers or airbaths without combination hydrotherapy package or HTISOAK.</i>

Installation Options *Must be ordered at time of purchase.*

Pre-Leveled Foam Base (PLFOAM) \$310 All airbaths include a pre-leveled foam base.
Pre-Leveled Frame and Foam Base (PLF) \$775
Pre-Leveled Frame and Foam Base with Skirting (Acrylic CXL® tubs only) <i>For pricing and details go to mtibaths.com</i>

Tile Flange Factory-Installed on 3 sides - rigid ABS (TFK3) \$210 Field Install Kit - includes rigid ABS & adhesive (TFKNI) \$195 IMPORTANT: <i>Must specify flange location(s) on order of Factory-Installed Flange. Not available with optional Low-Profile Rim.</i>

Drains & Overflow Kits *Toe Tap Rectangular Overflow must be ordered at time of purchase*

Cable Driven Drain Finishes – PVC Drain Kit White/Biscuit (WOCDD) \$460 Chrome (W OCD) \$430 Brushed Nickel (WOCDBN) \$515 Polished Nickel (WOCDPN) \$565 Oil-Rubbed Bronze+ (WOCDDOR) \$580 Polished Brass (WOCDBR) \$725 Special Finishes* (WOCDSF) \$1,190 <i>MTI does not offer a brass body cable drain kit.</i>

Toe Tap Round Overflow – PVC Drain Kit Chrome (WOTTC) \$400 Brushed Nickel (WOTBN) \$405 Polished Nickel (WOTPN) \$405 Special Finishes* (WOTTSF) \$1,200 Round Overflow – Solid Brass Drain Chrome (WOTTSBC) \$850 Brushed Nickel (WOTTSBBN) \$850 Polished Nickel (WOTTSBPN) \$850

Toe Tap Rectangular Overflow – PVC Drain Kit Chrome (WOTRC) \$495 Brushed Nickel (WOTRBN) \$450 White (WOTRW) \$550 Lift & Turn Drain Finishes – PVC Drain Kit Chrome (WOC) \$195 White (WOW) \$255 Brushed Nickel (WOBN) \$320
--

Slim-Line Overflow with Toe Tap Drain *Must be ordered at time of purchase.*

<ul style="list-style-type: none"> Low profile overflow is factory installed Overflow measures 4.5" x 1" Provides a deeper soak Not available for commercial applications

Slim-Line Overflow with Toe Tap Drain PVC Drain Chrome (SLOT C) \$525 Brushed Nickel (SLOTBN) \$555 Polished Nickel (SLOT PN) \$585 White (SLOTW) \$450

Slim-Line Overflow with Toe Tap Drain Solid Brass Drain Chrome (SLOTSBC) \$975 Brushed Nickel (SLOTSBBN) \$980 Polished Nickel (SLOTSBPN) \$980 White (SLOTSBW) \$1,015

* MTI has selected an oil-rubbed bronze finish that is compatible with Delta and many other manufacturers. To ensure best match, order as a Special Finish and submit a sample.

* Allow 2-4 weeks lead time for Special Finishes. Send sample for best match.