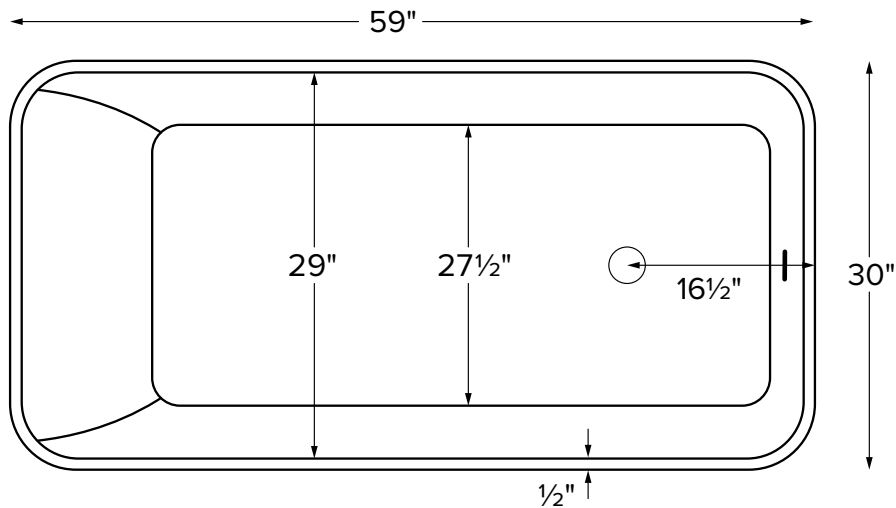


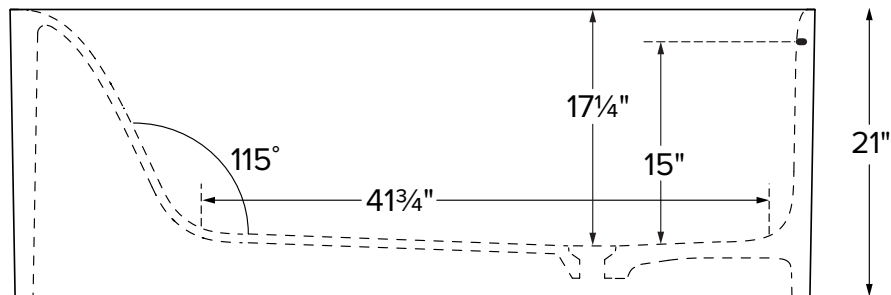
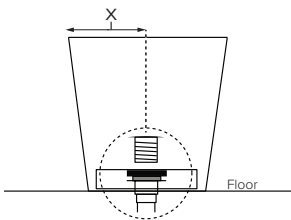


Features an integrated overflow

|  |
|--|
| MODEL 412  |
| 59" x 30" x 21"  |
| FREESTANDING<br>81 gal to overflow   |
| <b>Mineral Composite</b>   |
| 328 lbs / 149 kg soaker  |
| Filling this tub to the maximum may require an above average size or dedicated water heater. |



Drain Rough-In Measurement



### ELECTRICAL COMPONENTS & SPECIFICATIONS

Required Electrical Service - 110 Volt

| Hydrotherapy Package | Components Included | GFCI     |
|----------------------|---------------------|----------|
| Air Massage          | heated blower       | 1-15 amp |

Electrical requirements may change with the addition of optional therapy components.  
See specific option details or installation information.  
CSA Certified C/US; B45.5/IAPMO ANSI Z124.1 and ANSI 112.19.7

See the Installation & Operation Manual for more details.  
MTI's Customer Service: Monday-Friday 8am-6pm EST  
800-783-8827 or service@mtibaths.com

### ORDERING AND INSTALLATION

- Before ordering or installing, please consider future access to equipment.
- Integrated overflow with toe tap drain included.
- Air baths require job site preparations for remote mounting the blower and required check valve. Check valve must be installed higher than the rim of the tub.
- Waterproof remote control included. Keypad is shipped loose and may be mounted nearby.
- Faucet valves cannot be installed on this tub model.

- Before discarding tub packaging, check for accessories that may be packaged inside.
- All product measurements are  $\pm 1/2"$ .
- Specifications and configurations are subject to change without notice.
- Measurements herein supersede all others published prior to publication date below.

CSA # MMCT-000

©2024 by MTI Baths, Inc. Modification Rights Reserved

For more information on options and accessories go to [Cosmopolitan Mineral Composite Tubs Options on mtibaths.com](https://www.mtibaths.com)

- Blower & required check valve for airbath must be remote mounted
- Check valve must be installed higher than the rim of the tub.

**acquabella®**

**Almaza**  
MODEL # 412  
59 x 30" x 21"

| Hydrotherapy    | Package Contents  | Finish/Color         | Part #         | MSRP            |
|-----------------|---|----------------------|----------------|-----------------|
| <b>Soaker</b>   | Soaking bath - no jets. Includes an integrated slotted overflow with white toe-tap drain kit. See Options below for Exterior Color/Finish codes.                                | Gloss White          | <b>S412</b>    | <b>\$6,500</b>  |
|                 |   | Exterior Matte White | <b>S412M</b>   | <b>\$7,100</b>  |
|                 |   | Exterior Matte Color | <b>S412V</b>   | <b>\$7,550</b>  |
| <b>Air Bath</b> | 20 air jets, heated air blower, keypad, waterproof remote control, integrated slotted overflow with white toe-tap drain kit. See Options below for Exterior Color/Finish codes. | Gloss White          | <b>AST412</b>  | <b>\$10,830</b> |
|                 |   | Exterior Matte White | <b>AST412M</b> | <b>\$11,430</b> |
|                 |   | Exterior Matte Color | <b>AST412V</b> | <b>\$11,880</b> |

| <b>Options</b> <i>Must be ordered at time of purchase</i> |                              |
|---|------------------------------|
| <b>Exterior Color/Finish</b>                              |                              |
| White, matte finish (MWH)                                 | Sand, matte finish (MSD)     |
| Gray, matte finish only (MGY)                             | Charcoal, matte finish (MCH) |
| Black, matte finish only (MBK)                            |                              |
| <b>Recommended Drain Kits</b>                             |                              |
| Westbrass D98LTBPA-XX (included with tub)                 |                              |
| OS&B 500 Series   |                              |
| Mountain Plumbing BDWOF-ST                                |                              |

| <b>Accessories</b>   |
|--|
| <b>Drain Kit Accessories</b>   |
| Brass Tailpiece (WIOBS) <b>\$90</b> (not compatible with OS&B 500Q)      |
| Quick Drain Kit (WOQ) <b>\$485</b>                                       |
| <b>Pillows from \$190</b>  |
| <b>Teak Bath Mat (TKMAT3018) \$840</b>                                   |
| <i>Custom sizes also available. Contact MTI for details and pricing.</i> |



Inside view of tub