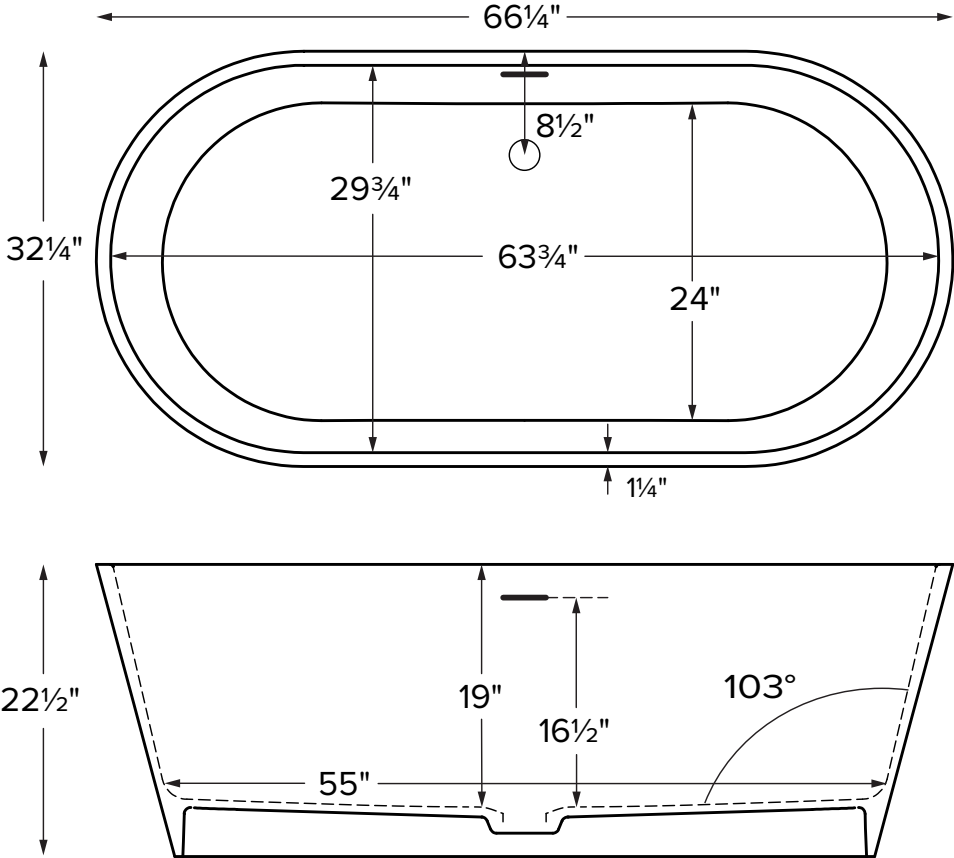


Evalina



Features an integrated overflow

MODEL 272
66.25" x 32.25" x 22.5"
FREESTANDING 96 gal to overflow
<b>SculptureStone®</b>
285 lbs / 129 kg soaker
Filling this tub to the maximum may require an above average size or dedicated water heater.



ELECTRICAL COMPONENTS & SPECIFICATIONS		
Required Electrical Service - 110 Volt		
Hydrotherapy Package	Components Included	GFCI
Airbath	heated blower	1-15 amp

Electrical requirements may change with the addition of optional therapy components. See specific option details or installation information.  
CSA Certified C/US; ANSI Z124.1 and ANSI 112.19.7 and ANSI 112.19.7

See the Installation & Operation Manual for more details.  
MTI's Customer Service: Monday-Friday 8am-6pm EST  
800-783-8827 or service@mtibaths.com

**IMPORTANT ORDERING & INSTALLATION INFORMATION**

- Before ordering or installing, please consider future access to equipment.
- Includes an integrated overflow with toe tap drain in chrome finish. May be specified without an overflow (see local codes before ordering without an overflow).
- Airbaths require job site preparation for remote installation of the blower and required check valve. Check valve must be installed higher than the rim of the tub.
- Waterproof remote control included with airbath. Keypad shipped loose may be remote mounted on nearby surface/wall.
- Faucet valves cannot be mounted on this tub model.

• Before discarding tub crate, check for accessories that may be packaged inside.  
• All product measurements are ±1/2".  
• Specifications and configurations are subject to change without notice.  
• Measurements herein supersede all others published prior to publication date below.



For more information on options and accessories go to SculptureStone® Tubs Options on mtibaths.com

**Evalina**  
 MODEL # 272  
 66.25" x 32.25" x 22.5"

- Blower & required check valve for airbath must be remote mounted.
- Check valve must be installed higher than the rim of the tub.
- See the Installation & Operation Manual for more details.

Hydrotherapy	Package Contents	Part #	Finish	MSRP
Soaker	Soaking bath - no jets. Includes an integrated slotted overflow with a toe-tap drain kit.	S272	soft matte	\$8,445
		S272GL	hand-polished gloss	\$9,565
Airbath	20 air jets, heated air blower, keypad, waterproof remote control, integrated slotted overflow with a toe-tap drain kit.	AST272	soft matte	\$13,720
		AST272GL	hand-polished gloss	\$14,840

Options <i>Must be ordered at time of purchase</i>
<b>Quick Ship</b> (QSPRI2) <b>\$1,055</b> reduces lead time <i>Please call for availability</i>
<b>Standard Color</b> White <b>Biscuit Color Upgrade</b> (SSBI) <b>\$320</b> <i>Additional material colors available for projects only. Please call MTI.</i>
<b>Exterior Color</b> <b>\$1,815</b> (SSCOLTG) Gloss Finish (SSCOLTM) Matte Finish Must specify color code: Sapphire Blue (SB), Blue Lagoon (BL), Terracotta (TC), Onyx (OX), Stratus Gray (TG), Stormgray (SG) <a href="http://mtibaths.com">Check mtibaths.com for current lead time</a>
Accessories
<b>Teak Bath Mat</b> (TKMAT3018) <b>\$840</b> Measures 30" x 17.5" x 1" <i>Custom sizes also available. Contact MTI for details.</i>
<b>SculptureStone® Tub Tray</b> No Stemware Holder (SSTRAY1) <b>\$350</b> matte (SSTRAY1GL) gloss <b>\$350</b> With Stemware Holder (SSTRAY2) <b>\$465</b> matte (SSTRAY2GL) gloss <b>\$465</b> <i>Order with tub for best color match</i>
<b>Teak Tub Tray</b> Slatted (TK-TRAY1) <b>\$515</b> Solid (TK-TRAY2) <b>\$585</b> <i>Order with tub for best fit</i>

Boutique Accessories	
Packaging / Handling Fee Applies	
<b>SculptureStone® Bathroom Table</b> (TABLE) <b>\$850</b> matte finish (TABLEGL) <b>\$1,295</b> gloss finish <i>Order with tub for best color match</i>	
<b>SculptureStone® Standard Faucet Stand</b>	
Small - 3-hole capacity <b>14¼" w x 20½" h</b> Matte (STAND) <b>\$745</b> Gloss (STANDGL) <b>\$1,190</b>	Large - 5-hole capacity <b>22" w x 21½" h</b> Matte (STANDL) <b>\$880</b> Gloss (STANDLGL) <b>\$1,325</b>
<b>SculptureStone® Premium Faucet Stand</b>	
<b>15" w x 39" h</b> Matte (SSFSR3915MT) <b>\$2,435</b> Gloss (SSFSR3915GL) <b>\$2,800</b>	<b>10" w x 39" h</b> Matte (SSFSR3910MT) <b>\$2,200</b> Gloss (SSFSR3910GL) <b>\$2,600</b>
<b>20" w x 23" h</b> Matte (SSFSR2320MT) <b>\$1,990</b> Gloss (SSFSR2320GL) <b>\$2,385</b>	<b>15" w x 23" h</b> Matte (SSFSR2315MT) <b>\$1,880</b> Gloss (SSFSR2315GL) <b>\$2,245</b>
<b>The Blake Integral Deck</b>	
Matte (SSPTX1MT) <b>\$1,020</b> Gloss (SSPTX1GL) <b>\$1,470</b> 32" l x 20" h x 8" d Exterior Color Matte (SSPTX1COLM) <b>\$1,470</b> Exterior Color Gloss (SSPTX1COLG) <b>\$1,470</b>	

**Drains & Overflow Kits *Must be ordered at time of purchase***

Toe Tap Drain Cover Finishes
PVC drain - Chrome included
<b>+\$50</b> upcharge Br. Nickel (WIOBN), Pol. Nickel (WIOPN)
<b>+\$90</b> upcharge Matte Black (WIOMB)
<b>+\$110</b> upcharge Oil-Rubbed Bronze <sup>†</sup> (WIOOR)
<b>+\$660</b> upcharge Special Finish* (WIOSF)
<i>Send finish sample to MTI Baths for best match.</i>

Toe Tap SculptureStone® Drain Cover Finishes
Upgrade is in lieu of standard chrome to tap drain cover. White only
<b>+\$95</b> upcharge Matte Finish (SSWIOMT)
<b>+\$115</b> upcharge Gloss Finish (SSWIOGL)
<b>Brass Tailpiece</b> (WIOBS) <b>\$90</b> in addition to finish charge listed above
<b>Quick Drain Kit</b> (WOQ) <b>\$485</b>

<sup>†</sup> MTI has selected an oil-rubbed bronze finish that is compatible with Delta and many other manufacturers. To ensure best match, order as a Special Finish and submit a sample.

CSA # MTCT-272

©2024 by MTI Baths, Inc. Modification Rights Reserved

\* Allow 2-4 weeks lead time for Special Finishes. Send sample for best match.

