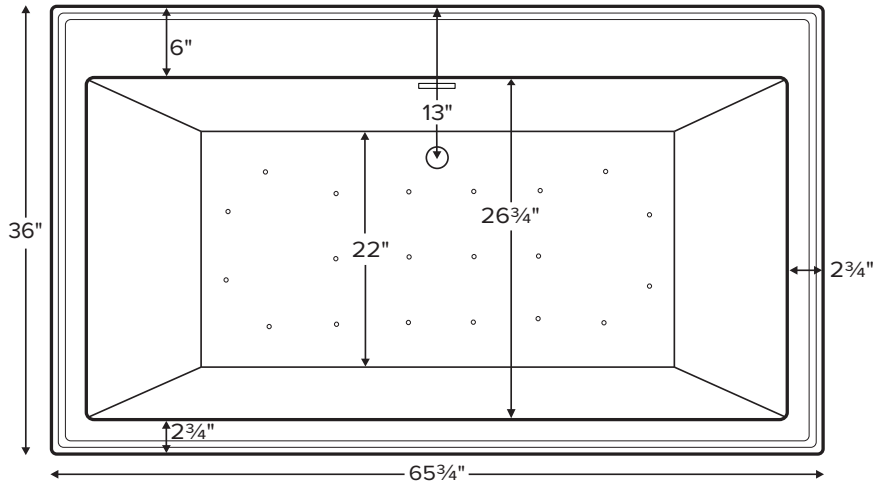


Madelyn 5



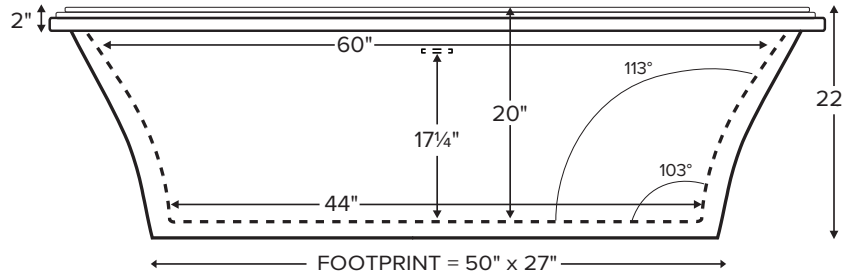
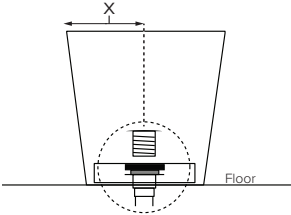
Features an integrated overflow.

MODEL 238	
65.75" x 36" x 22"	
FREESTANDING 93 gal to overflow	
Acrylic CXL®	DoloMatte®
155 lbs / 71 kg <SOAKER>	174 lbs / 79 kg
Filling this tub to the maximum may require an above average size or dedicated water heater.	



The Madelyn 5 features a flat deck on the drain side for mounting faucetry.
Shown with Air Massage Package.

Drain Rough-In Measurement



ELECTRICAL COMPONENTS & SPECIFICATIONS

Hydrotherapy Package	Components Included	110V GFCI
Air Massage	heated blower	1-15 amp
Air Massage Elite	heated blower, chromatherapy	1-15 amp

Electrical requirements may change with the addition of optional therapy components.
See specific option details or installation information.
CSA Certified C/US; B45.5/IAPMO ANSI Z124.1 and ANSI 112.19.7

See the Installation & Operation Manual for more details.
MTI's Customer Service: Monday-Friday 8am-6pm EST
800-783-8827 or service@mtibaths.com

IMPORTANT ORDERING & INSTALLATION INFORMATION:

- Before ordering or installing, please consider future access to equipment.
- This tub comes equipped with an access panel to facilitate installation of valves and toe tap drain.
- Tub features slotted integrated overflow with toe tap drain.
- Air baths require job site preparations for remote mounting the blower.
- Hydrotherapy equipment may ship loose for remote installation depending on tub model. See package content on the following page for details.
- Radiance placed on floor locations will affect placement of air jets.
- All tubs are in accordance with CSA B45.5/IAPMO Z124 standard and compliant with ASTM C 1028-07 coefficient of friction. DoloMatte meets ANSI A137.1/A326.3 coefficient of friction and AS HB198:2014 pendulum slip resistance testing.

- Before discarding tub packaging, check for accessories that may be packaged inside.
- All product measurements are ±1/2".
- Specifications and configurations are subject to change without notice.
- Measurements herein supersede all others published prior to publication date below.



Madelyn 5
MODEL 238
65.75" x 36" x 22"

Hydrotherapy Packages	Package Contents	Acrylic CXL®		DoloMatte®	
		Part #	MSRP	Part #	MSRP
Soaker	Soaking bath - no jets; includes a pre-leveled foam base and integrated slotted overflow with toe-tap drain kit in chrome.	S238	\$5,925	S238DM	\$6,665
Air Massage	20 air jets, heated air blower, pre-leveled foam base and integrated slotted overflow with toe-tap drain kit in chrome. Blower and control boxes must be remote located.	AST238	\$9,310	AST238DM	\$10,050
Air Massage Elite	30 air jets, heated air blower, Chromatherapy LED lighting, Spa Mode, pre-leveled foam base. and integrated slotted overflow with toe-tap drain kit in chrome. Blower and control boxes must be remote located.	AE238	\$11,070	AE238DM	\$11,810

RECOMMENDED SENSORY THERAPIES

Chromatherapy

(LE) **\$840** underwater lighting
2 LED lights included

Audiotherapy

(STEREOBT) **\$1,460** 2 transducers
with bluetooth and amplifier
(BTREMOTE) **\$630** bluetooth remote

(STEREOH202) **\$1,655** 4 transducers
amplifier not included

Thermaltherapy

(RAD100) **\$1,675** Radiance®
2 heated zones included

Options *Must be ordered at time of purchase*

Standard Colors White (CWH) DoloMatte available in matte white only.
Biscuit (CBS) Not available for DoloMatte.

Quick Ship reduces lead time (QSPRI) **\$450**
Please call for availability

Textured Bottom (TXTBTM) Acrylic CXL® only **\$110**
DoloMatte® exceeds ANSI A137.1/A326.3 and AS HB198 slip tests.

Virtual Spout high-flow integrated tub filler (FPMJ) **\$475**

Grab Bars from **\$345** (1 set of 2)
Grab bars are factory-installed to the left and right of the overflow. Go to Acrylic Tub Options on mtibaths.com for details before ordering.
Color and finish selections vary.

Decorative Towel Bar
Chrome (CHTOWEL) **\$570**, Brushed Nickel (BNTOWEL) **\$570**

Accessories

Pillows from **\$190**

Teak Bath Mat (TKMAT3018) **\$840**
Custom sizes also available. Contact MTI for details and pricing.

Teak Tub Tray
Slatted (TK-TRAY1) **\$515** Solid (TK-TRAY2) **\$585**

Floor-Mounted High-Flow Tub Filler
Contemporary Brushed Nickel (FILLBN) **\$1,795**

Faucet Stand SculptureStone® Standard
Small 3-hole capacity
14¼" w x 21¾" h
Matte (STAND) **\$745**
Large 5-hole capacity
22" w x 21¾" h
Matte (STANDL) **\$880**
+\$420 gloss finish upcharge (SSGLOSSENK)

Drains & Overflow Kits *Must be ordered at time of purchase*

Integrated Overflow with Toe Tap

Slotted Overflow

PVC drain - Chrome (SLOTIOC) included

Finish Upcharge

White (SLOTIOWHU) **\$70**

Brushed Nickel (SLOTIOBNU) **\$70**

Polished Nickel (SLOTIOPNU) **\$110**

Round Overflow

Chrome (RIOCI) may substitute slotted overflow

Finish Upcharge

White (RIOWH) **\$125**

Brushed Nickel (RIOBN) **\$125**

Polished Nickel (RIOPN) **\$125**

Brass Tailpiece (WIOBS) **\$90**

May be ordered separately

Quick Connect Drain - (WOQ) **\$485**

