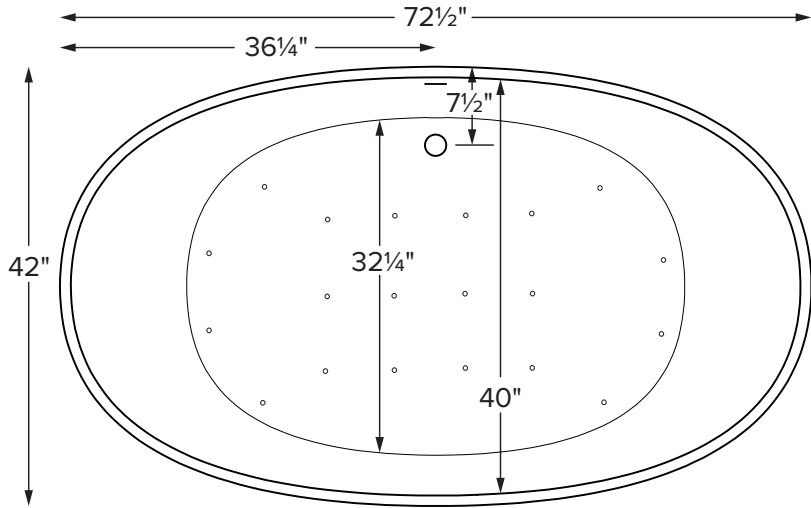


Alissa

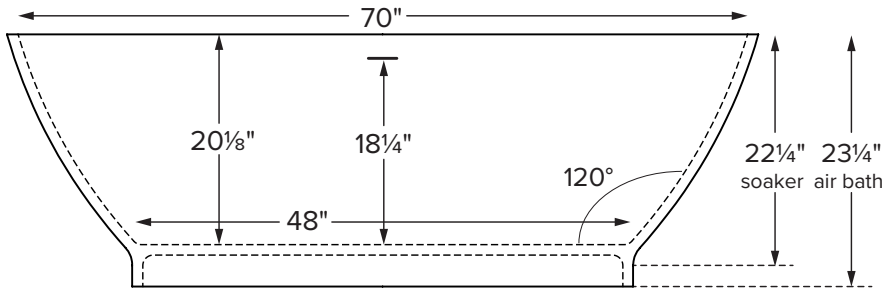


Features an integrated overflow.

MODEL 236
72.5" x 42" x 22.25"/23.25"
FREESTANDING 140 gal to overflow
SculptureStone®
340 lbs / 154 kg soaker 370 lbs / 163 kg airbath
Filling this tub to the maximum may require an above average size or dedicated water heater.



Shown above as an Air Bath.



ELECTRICAL COMPONENTS & SPECIFICATIONS		
Required Electrical Service - 110 Volt		
Hydrotherapy Package	Components Included	GFCI
Air Massage	heated blower	1-15 amp
Electrical requirements may change with the addition of optional therapy components. See specific option details or installation information. CSA Certified C/US; ANSI Z124.1 and ANSI 112.19.7 and ANSI 112.19.7		

- IMPORTANT ORDERING & INSTALLATION INFORMATION**
- Before ordering or installing, please consider future access to equipment.
 - Includes an integrated overflow with toe tap drain in chrome finish. May be specified without an overflow (see local codes before ordering without an overflow).
 - Air baths require job site preparation for remote installation of the blower and required check valve. Check valve must be installed higher than the rim of the tub.
 - Waterproof remote control included with air bath. Keypad shipped loose may be remote mounted on nearby surface/wall.
 - Faucet valves cannot be mounted on this tub model.

See the Installation & Operation Manual for more details.
 MTI's Customer Service: Monday-Friday 8am-6pm EST
800-783-8827 or service@mtibaths.com

• Before discarding tub crate, check for accessories that may be packaged inside.
 • All product measurements are ±1/2".
 • Specifications and configurations are subject to change without notice.
 • Measurements herein supersede all others published prior to publication date below.



For more information on options and accessories go to SculptureStone® Tubs Options on mtibaths.com

Alissa

MODEL #: 236

72.5" x 42" x 22.25"/23.25"

- Blower & required check valve for airbath must be remote mounted.
- Check valve must be installed higher than the rim of the tub.
- See the Installation & Operation Manual for more details.

Hydrotherapy	Package Contents	Part #	Finish	MSRP
Soaker	Soaking bath - no jets. Includes an integrated slotted overflow with a toe-tap drain kit.	S236	soft matte	\$9,385
		S236GL	hand-polished gloss	\$10,505
Air Bath	20 air jets, heated air blower, keypad, waterproof remote control, integrated slotted overflow with a toe-tap drain kit.	AST236	soft matte	\$14,660
		AST236GL	hand-polished gloss	\$15,780

Options *Must be ordered at time of purchase*

Quick Ship (QSPRI2) **\$1,055** reduces lead time
Please call for availability

Standard Color White
Biscuit Color Upgrade (SSBI) **\$320**
Additional material colors available for projects only. Please call MTI.

Exterior Color **\$1,815** (SSCOLTG) Gloss Finish (SSCOLTM) Matte Finish
Must specify color code:
Sapphire Blue (SB), Blue Lagoon (BL), Terracotta (TC),
Onyx (OX), Stratus Gray (TG), Stormgray (SG)
[Check mtibaths.com for current lead time](http://mtibaths.com)

Accessories

Teak Bath Mat (TKMAT3018) **\$840** Measures 30" x 17.5" x 1"
Custom sizes also available. Contact MTI for details.

SculptureStone® Tub Tray
No Stemware Holder (SSTRAY1) **\$350** matte (SSTRAY1GL) gloss **\$350**
With Stemware Holder (SSTRAY2) **\$465** matte (SSTRAY2GL) gloss **\$465**
Order with tub for best color match

Teak Tub Tray
Slatted (TK-TRAY1) **\$515** Solid (TK-TRAY2) **\$585**
Order with tub for best fit

Boutique Accessories
Packaging / Handling Fee Applies

SculptureStone® Bathroom Table (TABLE) **\$850** matte finish
(TABLEGL) **\$1,295** gloss finish
Order with tub for best color match

SculptureStone® Standard Faucet Stand
Small - 3-hole capacity
14¼" w x 20½" h
Matte (STAND) **\$745**
Gloss (STANDGL) **\$1,190**
Large - 5-hole capacity
22" w x 21½" h
Matte (STANDL) **\$880**
Gloss (STANDLGL) **\$1,325**

SculptureStone® Premium Faucet Stand

15" w x 39" h Matte (SSFSR3915MT) \$2,435 Gloss (SSFSR3915GL) \$2,800	10" w x 39" h Matte (SSFSR3910MT) \$2,200 Gloss (SSFSR3910GL) \$2,600
20" w x 23" h Matte (SSFSR2320MT) \$1,990 Gloss (SSFSR2320GL) \$2,385	15" w x 23" h Matte (SSFSR2315MT) \$1,880 Gloss (SSFSR2315GL) \$2,245

Drains & Overflow Kits *Must be ordered at time of purchase*

Toe Tap Drain Cover Finishes
PVC drain - Chrome included
+**\$50** upcharge Br. Nickel (WIOBN), Pol. Nickel (WIOPN)
+**\$90** upcharge Matte Black (WIOMB)
+**\$110** upcharge Oil-Rubbed Bronze* (WIOOR)
+**\$660** upcharge Special Finish* (WIOSF)
Send finish sample to MTI Baths for best match.

Toe Tap SculptureStone® Drain Cover Finishes
Upgrade is in lieu of standard chrome to tap drain cover.
White only
+**\$95** upcharge Matte Finish (SSWIOMT)
+**\$115** upcharge Gloss Finish (SSWIOGL)
Brass Tailpiece (WIOBS) **\$90** in addition to finish charge listed above
Quick Drain Kit (WOQ) **\$485**

* MTI has selected an oil-rubbed bronze finish that is compatible with Delta and many other manufacturers. To ensure best match, order as a Special Finish and submit a sample.

* Allow 2-4 weeks lead time for Special Finishes. Send sample for best match.

