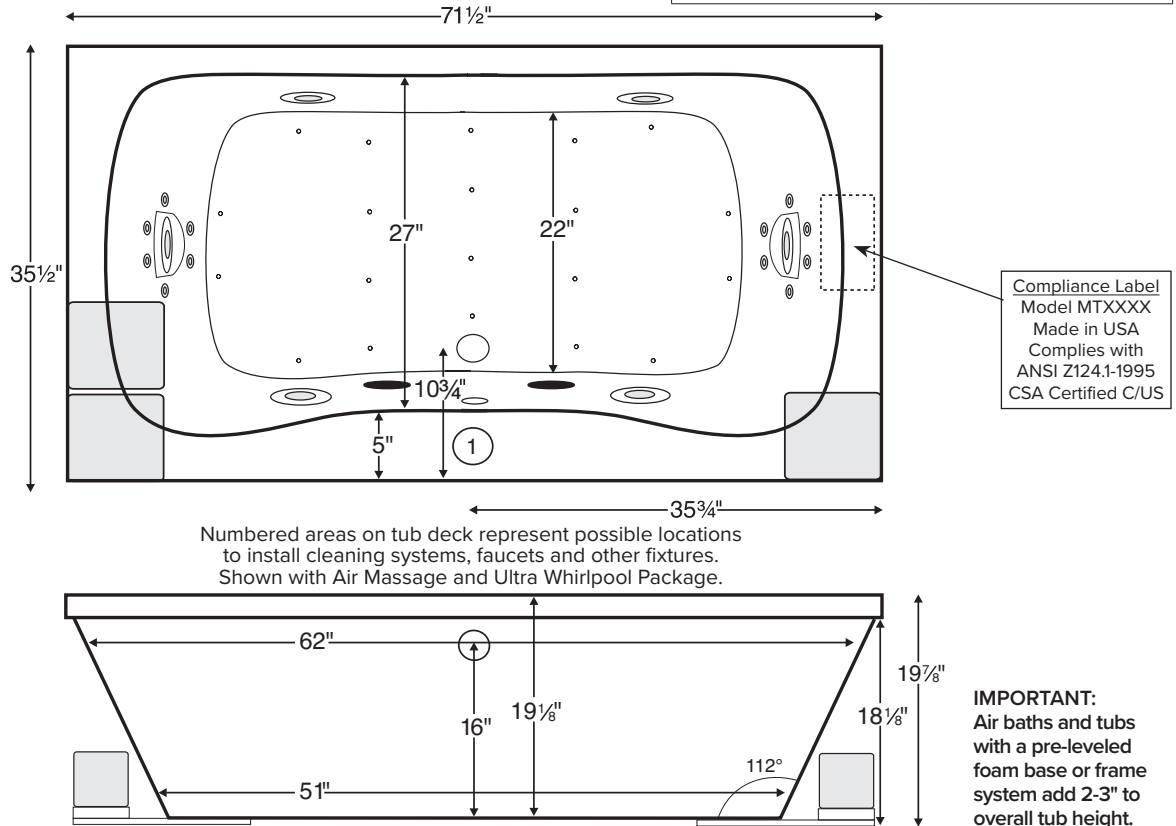


Georgian 3



MODEL 20		
71.5" x 35.5" x 19.875"		
DROP-IN (cannot be undermounted) 60 gal to overflow		
<b>Acrylic CXL®</b>		<b>DoloMatte®</b>
100 lbs / 45 kg	<SOAKER>	113 lbs / 51 kg
150 lbs / 68 kg	<PLUMBED>	163 lbs / 74 kg
Filling this tub to the maximum may require an above average size or dedicated water heater.		



**IMPORTANT ORDERING & INSTALLATION INFORMATION**

- Before ordering or installing, please consider future access to equipment.
- Add proper bedding compound to fully level and support bottom of tub.
- When equipped with an air bath package, pre-leveled foam base or frame system, overall tub height is increased by approx. 2-3" and is designed to install on a flat, level subfloor.
- Radiance placed on airbath floor will affect placement of air jets.
- System components may extend beyond the perimeter of deck.
- Please measure tub **on-site** before building tub decking.
- Advise MTI when planning to use a glass enclosure. Relocation of controls may be necessary.
- Suction and control locations may vary.
- All tubs are compliant with ASTM C 1028-07 coefficient of friction. DoloMatte meets ANSI A137.1/ A326.3 coefficient of friction and AS HB198:2014 slip tests.

**ELECTRICAL COMPONENTS & SPECIFICATIONS**

Hydrotherapy Package	Components Included	GFCI / 110V
Standard Whirlpool	2-bhp pump	1-15 amp
Stream Bath	½-bhp, ozone	1-20 amp
Microbubbles	Microbubbles pump	1-15 amp
Ultra Whirlpool	2-bhp pump x 2, inline heater, ozone	2-20 amp
Air Massage	heated blower	1-15 amp
Air Massage Elite	heated blower, chromatherapy	1-15 amp
Air Massage w/ Stream Bath	½-bhp pump, heated blower, ozone	1-20 amp
Air Massage Elite w/ Stream Bath	½-bhp pump, heated blower, chromatherapy, ozone	1-20 amp

Electrical requirements may change with the addition of optional therapy components. See specific option details or installation information. CSA Certified C/US; B45.5/IAPMO ANSI Z124.1 and ANSI 112.19.7

Hydrotherapy Package	Components Included	GFCI / 110V
Microbubbles with Air	Microbubbles pump, heated blower	1-20 amp
Microbubbles with Air Elite	Microbubbles pump, heated blower, chromatherapy	2-15 amp
Air with Whirlpool	2-bhp pump, heated blower	2-15 amp
Air with Ultra Whirlpool	2-bhp pump x 2, inline heater, heated blower, ozone	2-20 amp
Air Elite with Whirlpool	2-bhp pump, heated blower, chromatherapy	2-15 amp
Air Elite with Ultra Whirlpool	2-bhp pump x 2, inline heater, heated blower, chromatherapy, ozone	2-20 amp

See the Installation & Operation Manual for more details. MTI's Customer Service Monday-Friday 8am-6pm EST 800-783-8827 or service@mtibaths.com

- Before discarding tub crate, check for accessories that may be packaged inside.
- All product measurements are ±1/2".
- Specifications and configurations are subject to change without notice.
- Measurements herein supersede all others published prior to publication date below.



Georgian 3

MODEL 20

71.5" x 35.5" x 19.875"

- Aromatherapy is eliminated for undermount applications
- Air Baths, Pre-Levelled Foam Base or Frame Systems increase overall height by 2-3".

Hydrotherapy Packages	Package Contents	Acrylic CXL®		DoloMatte®	
		Part #	MSRP	Part #	MSRP
Soaker	Soaking bath - no jets	S20	\$2,445	S20DM	\$3,000
Stream Bath	6 side vents, 2 end vents, 1/2 bhp pump, Ozone	SM20	\$4,805	SM20DM	\$5,360
Microbubbles	1 microbubbles infusion port and pump	M20	\$5,525	M20DM	\$6,080
Air Massage	20 air jets, heated air blower, Aromatherapy, pre-levelled foam base	AST20	\$5,830	AST20DM	\$6,385
Air Massage Elite	30 air jets, heated air blower, Aromatherapy, Chromatherapy LED lighting, Spa Mode, pre-levelled foam base	AE20	\$7,590	AE20DM	\$8,145
Stream Bath with Air Massage	6 side vents, 2 end vents, 1/2 bhp pump, Ozone, 20 air jets, heated air blower, Aromatherapy, pre-levelled foam base	ASTSM20	\$7,725	ASTSM20DM	\$8,280
Stream Bath with Air Massage Elite	6 side vents, 2 end vents, 1/2 bhp pump, Ozone, 30 air jets, heated air blower, Aromatherapy, Chromatherapy LED lighting, Spa Mode, pre-levelled foam base	AESM20	\$9,670	AESM20DM	\$10,225
Microbubbles with Air Massage	1 microbubbles infusion port and pump, 20 air jets, heated air blower, Aromatherapy, pre-levelled foam base	ASTM20	\$8,350	ASTM20DM	\$8,905
Microbubbles with Air Massage Elite	1 microbubbles infusion port and pump, 30 air jets, heated air blower, Aromatherapy, Chromatherapy LED lighting, Spa Mode, pre-levelled foam base	AEM20	\$10,020	AEM20DM	\$10,575
Standard Whirlpool	6 point-massage jets, 2-bhp pump	P20	\$4,640	P20DM	\$5,195
Ultra Whirlpool	6 point-massage jets, 12 micro-jets with Tsubo massage, 2 2-bhp pumps, inline heater, Ozone	P20U	\$6,490	P20UDM	\$7,045
Air Massage with Standard Whirlpool	6 point-massage jets, 2-bhp pump, 20 air jets, heated air blower, Aromatherapy, pre-levelled foam base	AW20	\$8,020	AW20DM	\$8,575
Air Massage with Ultra Whirlpool	6 point-massage jets, 12 micro-jets with Tsubo massage, 2 2-bhp pumps, inline heater, 20 air jets, heated air blower, Aromatherapy, Ozone, pre-levelled foam base	AU20	\$9,870	AU20DM	\$10,425
Air Massage Elite with Standard Whirlpool	6 point-massage jets, 2-bhp pump, 30 air jets, heated air blower, Aromatherapy, Chromatherapy LED lighting, Spa Mode, pre-levelled foam base	AEAP20	\$9,785	AEAP20DM	\$10,340
Air Massage Elite with Ultra Whirlpool	6 point-massage jets, 12 micro-jets with Tsubo massage, 2 2-bhp pumps, inline heater, 30 air jets, heated air blower, Aromatherapy, Ozone, Chromatherapy LED lighting, Spa Mode, pre-levelled foam base	AEAP20U	\$10,800	AEAP20UDM	\$11,355

RECOMMENDED SENSORY THERAPIES

**Chromatherapy**

(LE) **\$840** underwater lighting  
2 LED lights included

**Audiotherapy**

(STEREOBT) **\$1,460** 2 transducers with bluetooth and amplifier  
(BTREMOTE) **\$630** bluetooth remote

(STEREOH202) **\$1,655** 4 transducers amplifier not included

**Thermaltherapy**

(RAD100) **\$1,675** Radiance®  
2 heated zones included  
(HTISOAK) **\$865**



For more information on options and accessories go to Acrylic Tub Options at mtibaths.com

<b>Options</b> <i>Must be ordered at time of purchase.</i>
<b>Standard Colors</b> White (CWH) DoloMatte available in matte white only. Biscuit (CBS) Not available for DoloMatte.
<b>Quick Ship</b> reduces lead time (QSPRI) <b>\$450</b> <i>Please call for availability</i>
<b>Inline Heater</b> maintains water temperature <b>For Soaker or Air Baths (HTISOAK) \$865</b> Includes a recirculating pump <i>Cannot be combined with Microbubbles.</i>
<b>Virtual Spout</b> high-flow integrated tub filler (FPMJ) <b>\$475</b> <i>Virtual Spout location is left of the overflow, unless otherwise specified on order.</i>
<b>Grab Bars</b> from <b>\$345</b> <i>Selections vary. Personalization available.</i>
<b>Textured Bottom</b> (TXTBTM) Acrylic CXL® only <b>\$110</b> DoloMatte® exceeds ANSI A1371/A326.3 and AS HB198 slip tests.
<b>Accessories</b>
<b>Pillows</b> from <b>\$190</b>
<b>Teak Bath Mat</b> (TKMAT3018) <b>\$840</b> <i>Custom sizes also available. Contact MTI for details and pricing.</i>

<b>Hydrotherapy Equipment &amp; Cleaning Systems</b> <i>Must be ordered at time of purchase.</i>
<b>Inline Heater</b> maintains water temperature <b>For Whirlpools or Stream Bath (HTI) \$600</b> Uses existing pump <i>Cannot be combined with Microbubbles.</i>
<b>Whirlpool Cleaning Systems</b> <b>Fill-Flush (FFSO) \$620</b> <b>Simple Touch (FFE) \$1,070</b> <i>Must specify stub-out location on order. See page 1 for location options.</i>
<b>Whirlpool Jets</b> Pump upgrade may be advisable for optimal performance when adding jets. <b>Point-Massage Jet</b> Extra Point-Massage Jet (EJ) <b>\$330</b> <b>Micro-Jet</b> from <b>\$380</b> <i>Jet styles and packages vary. Personalization available.</i>
<b>Pump Upgrade</b> - 3-bhp (PUMP3) <b>\$330</b>
<b>Jet Trim Kits</b> <b>For Standard Whirlpool</b> Chrome (TRC) <b>\$285</b> , Brushed Nickel (TRBN) <b>\$760</b> <b>For Ultra Whirlpool</b> Chrome (TRCU) <b>\$390</b> , Brushed Nickel (TRBNU) <b>\$1,010</b>
<b>Ozonator (OZONE) \$540</b> <i>Cannot be added to soakers or airbaths without combination hydrotherapy package or HTISOAK.</i>

<b>Installation Options</b> <i>Must be ordered at time of purchase.</i>
<b>Pre-Leveled Foam Base</b> (PLFOAM) <b>\$310</b> All airbaths include a pre-leveled foam base.
<b>Pre-Leveled Frame and Foam Base</b> (PLF) <b>\$775</b>
<b>Pre-Leveled Frame and Foam Base with Skirting</b> (Acrylic CXL® tubs only) <i>For pricing and details go to mtibaths.com</i>
<b>Tile Flange</b> <b>Factory-Installed on 3 sides</b> - rigid ABS (TFK3) <b>\$210</b> <b>Field Install Kit</b> - includes rigid ABS & adhesive (TFKNI) <b>\$195</b> <b>IMPORTANT:</b> <i>Must specify flange location(s) on order of Factory-Installed Flange. Not available with optional Low-Profile Rim.</i>

<b>Drains &amp; Overflow Kits</b>
<b>Cable Driven</b> <b>Drain Finishes</b> – PVC Drain Kit White/Bone/Biscuit (WOCDW) <b>\$460</b> Chrome (W OCD) <b>\$430</b> Brushed Nickel (WOCDBN) <b>\$515</b> Polished Nickel (WOCDPN) <b>\$565</b> Oil-Rubbed Bronze+ (WOC DOR) <b>\$580</b> Polished Brass (WOCDBR) <b>\$725</b> Special Finishes* (WOCDSF) <b>\$1,190</b> <i>MTI does not offer a brass body cable drain kit.</i>
<b>Lift &amp; Turn</b> <b>Drain Finishes</b> – PVC Drain Kit Chrome (WOC) <b>\$195</b> White (WOW) <b>\$255</b> Brushed Nickel (WOBN) <b>\$320</b>
<b>Toe Tap</b> <b>Round Overflow</b> – PVC Drain Kit Chrome (WOTTC) <b>\$400</b> Brushed Nickel (WOTTBN) <b>\$405</b> Polished Nickel (WOTTPN) <b>\$405</b> Special Finishes* (WOTT SF) <b>\$1,200</b> <b>Round Overflow</b> – Solid Brass Drain Chrome (WOTTSBC) <b>\$850</b> Brushed Nickel (WOTTSBBN) <b>\$850</b> Polished Nickel (WOTTSBPN) <b>\$850</b>

\* MTI has selected an oil-rubbed bronze finish that is compatible with Delta and many other manufacturers. To ensure best match, order as a Special Finish and submit a sample.

\* Allow 2-4 weeks lead time for Special Finishes. Send sample for best match.

