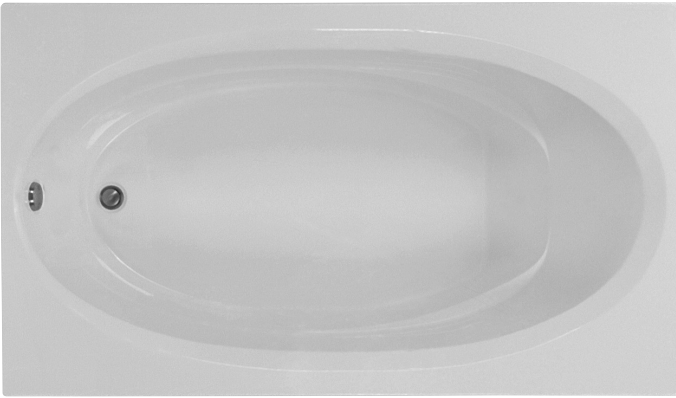
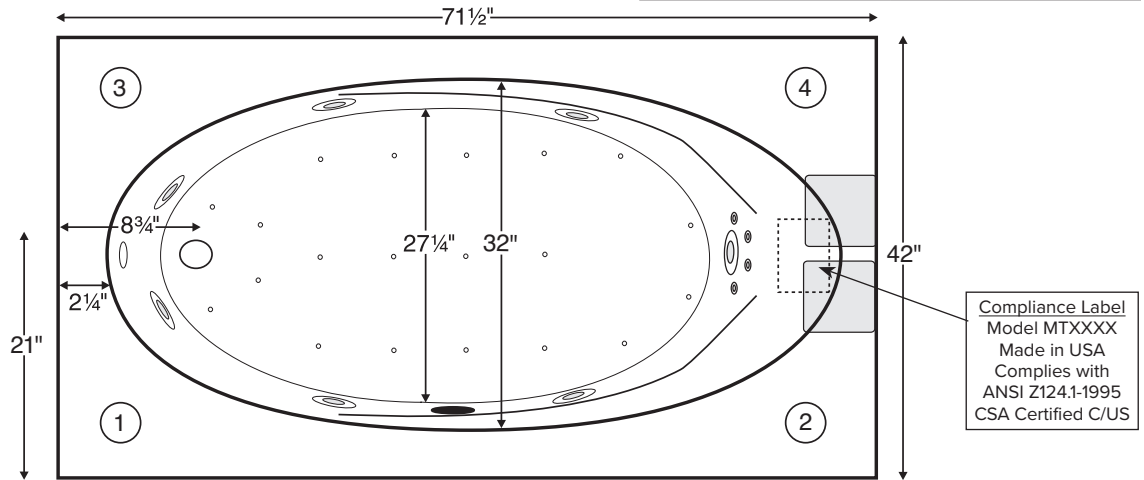


Seville 4

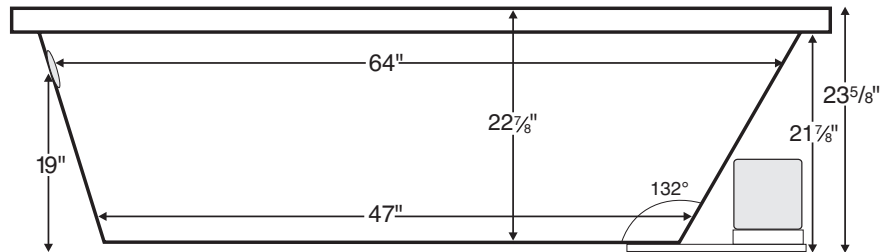


MODEL 18		
71.5" x 42" x 23.625"		
DROP-IN (cannot be undermounted) 101 gal to overflow		
Acrylic CXL®	DoloMatte®	
100 lbs / 45 kg	<SOAKER>	113 lbs / 51 kg
185 lbs / 84 kg	<PLUMBED>	198 lbs / 90 kg
Filling this tub to the maximum may require an above average size or dedicated water heater.		



Numbered areas on tub deck represent possible locations to install cleaning systems, faucets and other fixtures.

Shown with Air Massage and Ultra Whirlpool Package.



IMPORTANT:
Air baths and tubs with a pre-leveled foam base or frame system add 2-3" to overall tub height.

IMPORTANT ORDERING & INSTALLATION INFORMATION

- Before ordering or installing, please consider future access to equipment.
- Add proper bedding compound to fully level and support bottom of tub.
- When equipped with an air bath package, pre-leveled foam base or frame system, overall tub height is increased by approx. 2-3" and is designed to install on a flat, level subfloor.
- Radiance placed on airbath floor will affect placement of air jets.
- System components may extend beyond the perimeter of deck.
- Please measure tub **on-site** before building tub decking.
- Advise MTI when planning to use a glass enclosure. Relocation of controls may be necessary.
- Suction and control locations may vary.
- All tubs are compliant with ASTM C 1028-07 coefficient of friction. DoloMatte meets ANSI A137.1/ A326.3 coefficient of friction and AS HB198:2014 slip tests.

ELECTRICAL COMPONENTS & SPECIFICATIONS

Hydrotherapy Package	Components Included	GFCI / 110V
Standard Whirlpool	2-bhp pump	1-15 amp
Stream Bath	½-bhp, ozone	1-20 amp
Microbubbles	Microbubbles pump	1-15 amp
Ultra Whirlpool	3-bhp pump, inline heater, ozone	2-15 amp
Air Massage	heated blower	1-15 amp
Air Massage Elite	heated blower, chromatherapy	1-15 amp
Air Massage w/ Stream Bath	½-bhp pump, heated blower, ozone	1-20 amp
Air Massage Elite w/ Stream Bath	½-bhp pump, heated blower, chromatherapy, ozone	1-20 amp

Hydrotherapy Package	Components Included	GFCI / 110V
Microbubbles with Air	Microbubbles pump, heated blower	1-20 amp
Microbubbles with Air Elite	Microbubbles pump, heated blower, chromatherapy	2-15 amp
Air with Whirlpool	2-bhp pump, heated blower	2-15 amp
Air with Ultra Whirlpool	3-bhp pump, inline heater, heated blower, ozone	2-20 amp
Air Elite with Whirlpool	2-bhp pump, heated blower, chromatherapy	2-15 amp
Air Elite with Ultra Whirlpool	3-bhp pump, inline heater, heated blower, chromatherapy, ozone	2-20 amp

See the Installation & Operation Manual for more details.
MTI's Customer Service Monday-Friday 8am-6pm EST
800-783-8827 or service@mtibaths.com

- Before discarding tub crate, check for accessories that may be packaged inside.
- All product measurements are ±1/2".
- Specifications and configurations are subject to change without notice.
- Measurements herein supersede all others published prior to publication date below.



Seville 4

MODEL 18

71.5" x 42" x 23.625"

- Aromatherapy is eliminated for undermount applications
- Air Baths, Pre-Levelled Foam Base or Frame Systems increase overall height by 2-3".

Hydrotherapy Packages	Package Contents	Acrylic CXL®		DoloMatte®	
		Part #	MSRP	Part #	MSRP
Soaker	Soaking bath - no jets	S18	\$2,580	S18DM	\$3,135
Stream Bath	6 side vents, 2 end vents, 1/2 bhp pump, Ozone	SM18	\$4,940	SM18DM	\$5,495
Microbubbles	1 microbubbles infusion port and pump	M18	\$5,660	M18DM	\$6,215
Air Massage	20 air jets, heated air blower, Aromatherapy, pre-levelled foam base	AST18	\$5,965	AST18DM	\$6,520
Air Massage Elite	30 air jets, heated air blower, Aromatherapy, Chromotherapy LED lighting, Spa Mode, pre-levelled foam base	AE18	\$7,725	AE18DM	\$8,280
Stream Bath with Air Massage	6 side vents, 2 end vents, 1/2 bhp pump, Ozone, 20 air jets, heated air blower, Aromatherapy, pre-levelled foam base	ASTSM18	\$7,860	ASTSM18DM	\$8,415
Stream Bath with Air Massage Elite	6 side vents, 2 end vents, 1/2 bhp pump, Ozone, 30 air jets, heated air blower, Aromatherapy, Chromotherapy LED lighting, Spa Mode, pre-levelled foam base	AESM18	\$9,805	AESM18DM	\$10,360
Microbubbles with Air Massage	1 microbubbles infusion port and pump, 20 air jets, heated air blower, Aromatherapy, pre-levelled foam base	ASTM18	\$8,485	ASTM18DM	\$9,040
Microbubbles with Air Massage Elite	1 microbubbles infusion port and pump, 30 air jets, heated air blower, Aromatherapy, Chromotherapy LED lighting, Spa Mode, pre-levelled foam base	AEM18	\$10,155	AEM18DM	\$10,710
Standard Whirlpool	5 point-massage jets, 2-bhp pump	P18	\$4,775	P18DM	\$5,330
Ultra Whirlpool	7 point-massage jets, 4 micro jets, 3 bhp pump, inline heater, Ozone	P18U	\$6,625	P18UDM	\$7,180
Air Massage with Standard Whirlpool	5 point-massage jets, 2-bhp pump, 20 air jets, heated air blower, Aromatherapy, pre-levelled foam base	AW18	\$8,155	AW18DM	\$8,710
Air Massage with Ultra Whirlpool	7 point-massage jets, 4 micro jets, 3 bhp pump, inline heater, Ozone, 20 air jets, heated air blower, Aromatherapy, pre-levelled foam base	AU18	\$10,005	AU18DM	\$10,560
Air Massage Elite with Standard Whirlpool	5 point-massage jets, 2-bhp pump, 30 air jets, heated air blower, Aromatherapy, Chromotherapy LED lighting, Spa Mode, pre-levelled foam base	AEAP18	\$9,920	AEAP18DM	\$10,475
Air Massage Elite with Ultra Whirlpool	7 point-massage jets, 4 micro jets, 3 bhp pump, inline heater, Ozone, 30 air jets, heated air blower, Aromatherapy, Chromotherapy LED lighting, Spa Mode, pre-levelled foam base	AEAP18U	\$10,935	AEAP18UDM	\$11,490

RECOMMENDED SENSORY THERAPIES

Chromotherapy

(LE) **\$840** underwater lighting
2 LED lights included

Audiotherapy

(STEREOBT) **\$1,460** 2 transducers with bluetooth and amplifier
(BTREMOTE) **\$630** bluetooth remote

(STEREOH202) **\$1,655** 4 transducers amplifier not included

Thermaltherapy

(RAD100) **\$1,675** Radiance®
2 heated zones included
(HTISOAK) **\$865**



For more information on options and accessories go to Acrylic Tub Options at mtibaths.com

Options <i>Must be ordered at time of purchase.</i>
Standard Colors White (CWH) DoloMatte available in matte white only. Biscuit (CBS) Not available for DoloMatte.
Quick Ship reduces lead time (QSPRI) \$450 <i>Please call for availability</i>
Inline Heater maintains water temperature For Soaker or Air Baths (HTISOAK) \$865 Includes a recirculating pump <i>Cannot be combined with Microbubbles.</i>
Virtual Spout high-flow integrated tub filler (FPMJ) \$475 <i>Virtual Spout location is left of the overflow, unless otherwise specified on order.</i>
Grab Bars from \$345 <i>Selections vary. Personalization available.</i>
Textured Bottom (TXTBTM) Acrylic CXL [®] only \$110 DoloMatte [®] exceeds ANSI A1371/A326.3 and AS HB198 slip tests.
Accessories
Pillows from \$190
Teak Bath Mat (TKMAT3018) \$840 <i>Custom sizes also available. Contact MTI for details and pricing.</i>

Hydrotherapy Equipment & Cleaning Systems <i>Must be ordered at time of purchase.</i>
Inline Heater maintains water temperature For Whirlpools or Stream Bath (HTI) \$600 Uses existing pump <i>Cannot be combined with Microbubbles.</i>
Whirlpool Cleaning Systems Fill-Flush (FFSO) \$620 Simple Touch (FFE) \$1,070 <i>Must specify stub-out location on order. See page 1 for location options.</i>
Whirlpool Jets Pump upgrade may be advisable for optimal performance when adding jets. Point-Massage Jet Extra Point-Massage Jet (EJ) \$330 Micro-Jet from \$380 <i>Jet styles and packages vary. Personalization available.</i>
Pump Upgrade - 3-bhp (PUMP3) \$330
Jet Trim Kits For Standard Whirlpool Chrome (TRC) \$285 , Brushed Nickel (TRBN) \$760 For Ultra Whirlpool Chrome (TRCU) \$390 , Brushed Nickel (TRBNU) \$1,010
Ozonator (OZONE) \$540 <i>Cannot be added to soakers or airbaths without combination hydrotherapy package or HTISOAK.</i>

Installation Options <i>Must be ordered at time of purchase.</i>
Pre-Leveled Foam Base (PLFOAM) \$310 All airbaths include a pre-leveled foam base.
Pre-Leveled Frame and Foam Base (PLF) \$775
Pre-Leveled Frame and Foam Base with Skirting (Acrylic CXL [®] tubs only) <i>For pricing and details go to mtibaths.com</i>
Tile Flange Factory-Installed on 3 sides - rigid ABS (TFK3) \$210 Field Install Kit - includes rigid ABS & adhesive (TFKNI) \$195 IMPORTANT: <i>Must specify flange location(s) on order of Factory-Installed Flange. Not available with optional Low-Profile Rim.</i>

Drains & Overflow Kits
Cable Driven Drain Finishes – PVC Drain Kit White/Bone/Biscuit (WOCDW) \$460 Chrome (W OCD) \$430 Brushed Nickel (WOCDBN) \$515 Polished Nickel (WOCDPN) \$565 Oil-Rubbed Bronze [†] (WOC DOR) \$580 Polished Brass (WOCDBR) \$725 Special Finishes* (WOCDSF) \$1,190 <i>MTI does not offer a brass body cable drain kit.</i>
Lift & Turn Drain Finishes – PVC Drain Kit Chrome (WOC) \$195 White (WOW) \$255 Brushed Nickel (WOBN) \$320
Toe Tap Round Overflow – PVC Drain Kit Chrome (WOTTC) \$400 Brushed Nickel (WOTTBN) \$405 Polished Nickel (WOTTPN) \$405 Special Finishes* (WOTT SF) \$1,200 Round Overflow – Solid Brass Drain Chrome (WOTTSBC) \$850 Brushed Nickel (WOTTSBBN) \$850 Polished Nickel (WOTTSBPN) \$850

[†] MTI has selected an oil-rubbed bronze finish that is compatible with Delta and many other manufacturers. To ensure best match, order as a Special Finish and submit a sample.

* Allow 2-4 weeks lead time for Special Finishes. Send sample for best match.

